

U-Bolt



Low-cost alternative for pipe-joining applications, suitable for a wide range of non-slotted pipe diameters.

U-BOLT ZINC PLATED

Double-Edge Clamp

3/8" Bolt

U-BOLT CARBON STEEL

Double-Edge Clamp

3/8" Bolt

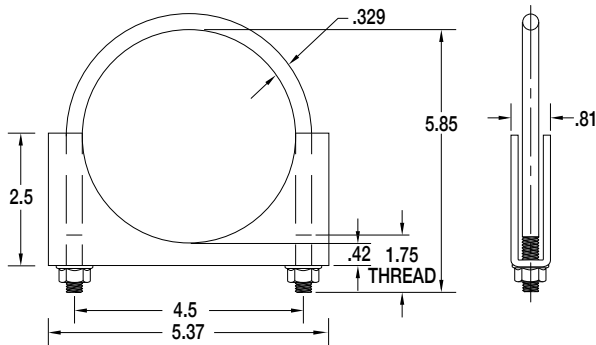
| For Lap Style Joint Connections

| Open-End Saddle

| Carbon or Zinc-Plated Steel

| Serrated Flange Nut

| Diameter Range 1 1/2" – 6"



Units: inches



U-BOLT ZINC PLATED	U-BOLT CARBON STEEL	Carton Quantity	Nominal Joint Diameter	
Global PN	Global PN		inches	mm
0152 8003 038	0152 8002 038	-	1 1/2	38.0
0152 8005 044	0152 8004 044	-	1 3/4	44.5
0152 8007 048	0152 8006 048	-	1 7/8	47.6
0152 8009 051	0152 8008 051	-	2	50.8
0152 8011 057	0152 8010 057	-	2 1/4	57.15
0152 8013 064	0152 8012 064	30	2 1/2	63.5
0152 8015 076	0152 8014 076	25	3	76.2
0152 8017 089	0152 8016 089	20	3 1/2	88.9
0152 8018 102	0152 8001 102	15	4	101.6
0152 8020 127	0152 8019 127	10	5	127.0
0152 8022 152	0152 8021 152	-	6	152.4

Note: Additional sizes are available to meet specific application requirements.