

Breeze Liner



Liner clamps afford maximum protection to soft hoses while providing a true concentric seal.

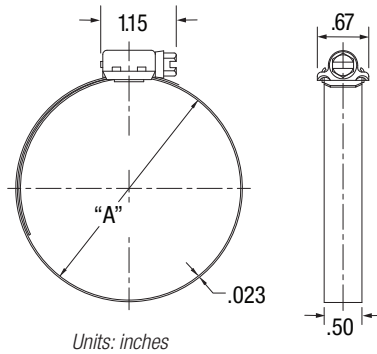
1/2" Lined Band | Quadra-Lock Construction | SAE Standard J1508 Type F | Larger Sizes have 9/16" Band | Diameter Range 7/16" – 7"

9200 LINER

- 5/16" Plated Hex Screw
- 1/2" Lined Band in 300-Series SS
- Two-Piece Housing in 300-Series SS

9400 LINER

- 5/16" 410 Stainless Steel Hex Screw
- 1/2" Lined Band in 300-Series SS
- Two-Piece Housing in 300-Series SS



SAE	9200 LINER		9400 LINER		inches (A)		mm	
	Brand PN	Global PN	Brand PN	Global PN	min	max	min	max
6	9206H	0361 0200 016	9406H	0361 0202 016	7/16	25/32	11	20
8	9208H	0361 0200 018	9408H	0361 0122 018	1/2	29/32	13	23
10	9210H	0361 0200 021	9410H	0361 0122 021	9/16	1 1/16	14	27
12	9212H	0361 0200 025	9412H	0361 0122 025	11/16	1 1/4	17	32
16	9216H	0361 0200 030	9416H	0361 0122 030	13/16	1 1/2	21	38
20	9220H	0361 0200 033	9420H	0361 0122 033	13/16	1 3/4	21	44
24	9224H	0361 0200 039	9424H	0361 0122 039	1 1/16	2	27	51
28	9228H	0361 0200 045	9428H	0361 0122 045	1 5/16	2 1/4	33	57
32	9232H	0361 0200 052	9432H	0361 0122 052	1 9/16	2 1/2	40	64
36	9236H	0361 0200 058	9436H	0361 0122 058	1 13/16	2 3/4	46	70
40	9240H	0361 0200 064	9440H	0361 0122 064	2 1/16	3	52	76
44	9244H	0361 0200 071	9444H	0361 0122 071	2 5/16	3 1/4	59	83
48	9248H	0361 0200 077	9448H	0361 0122 077	2 9/16	3 1/2	65	89
52	9252H	0361 0200 083	9452H	0361 0122 083	2 13/16	3 3/4	71	95
56	9256H	0361 0200 090	9456H	0361 0122 090	3 1/16	4	78	102
60	9260H	0361 0200 096	9460H	0361 0122 096	3 5/16	4 1/4	84	108
64	9264H	0361 0200 103	9464H	0361 0122 103	3 9/16	4 1/2	91	114
72	9272H	0361 0200 116	9472H	0361 0122 116	4 1/8	5	105	127
80	9280H	0361 0200 129	9480H	0361 0122 129	4 5/8	5 1/2	117	140

LINER – 9/16" BAND

88	9288	0360 0550 141	9488	0360 0560 141	5 1/8	6	130	152
96	9296	0360 0550 154	9496	0360 0560 154	5 5/8	6 1/2	143	165
104	92104	0361 0550 142	94104	0361 0560 142	6 1/8	7	156	178