

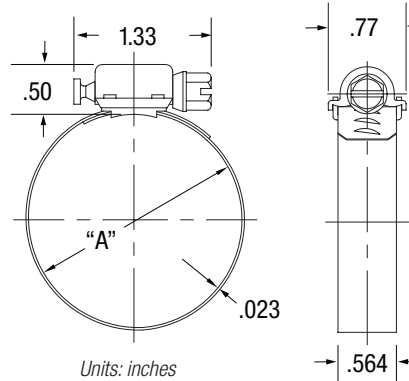
Breeze Jet Aero-Seal®



A heavy-duty stainless steel worm-drive hose clamp designed for quick assembly in a variety of applications.

Arcial Perforations | Quick-Connect Fastener | All 300-Series Stainless Steel | Diameter Range 9/16" – 12 1/4"

600 JET AERO-SEAL
Pivoting Hex Screw Assembly
9/16" Band in 300-Series SS
Two-Piece Housing



SAE	600 JET AERO-SEAL		inches (A)		mm	
	Brand PN	Global PN	min	max	min	max
10	600 10 H	0361 0600 021	9/16	1 1/16	14	27
12	600 12 H	0361 0600 025	11/16	1 1/4	17	32
16	600 16 H	0361 0600 030	13/16	1 1/2	21	38
20	600 20 H	0361 0600 033	13/16	1 3/4	21	44
24	600 24 H	0361 0000 051	1 1/16	2	27	51
28	600 28 H	0361 0600 045	1 5/16	2 1/4	33	57
32	600 32 H B	0361 0600 052	1 9/16	2 1/2	40	64
36	600 36 H	0361 0600 058	1 13/16	2 3/4	46	70
40	600 40 H	0361 0600 064	2 1/16	3	52	76
44	600 44 H	0361 0600 071	2 5/16	3 1/4	59	83
48	600 48 H	0361 1600 077	2 9/16	3 1/2	65	89
52	600 52 H	0361 0002 071	2 13/16	3 3/4	71	95
56	600 56 H	0361 0001 078	3 1/6	4	78	102
60	600 60 H	0361 0001 084	3 5/16	4 1/4	84	108
64	600 64 H	0361 0001 091	3 9/16	4 1/2	91	114
72	600 72 H B	0361 0600 088	1 7/8	5	48	127
80	600 80 H	0361 0001 064	2 1/2	5 1/2	64	140
88	600 88 H	0361 0600 116	3 1/8	6	79	152
96	600 96 H B	0361 0600 129	3 5/8	6 1/2	92	165
104	600 104 H B	0361 0600 143	4 1/8	7	105	178
128	600 128 H	0361 0600 180	5 5/8	8 1/2	143	216
152	600 152 H	0361 0600 218	7 1/8	10	181	254
188	600 188 H	0361 0600 275	9 3/8	12 1/4	238	311

Unique Quick-Connect design allows for tightening the band to desired position by sliding under the screw prior to engagement

