

Breeze Constant-Torque®



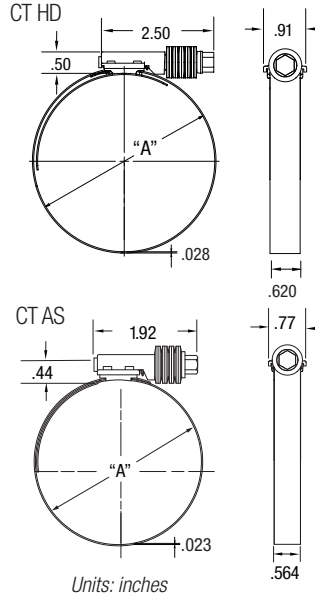
A worm-drive hose clamp that automatically increases or decreases diameter due to changes in temperature.

Extended Inner Liner | Constant-Tension Performance | SAE Standard J1508 Type SLF & SLHD | Diameter Range 9/16" – 9 1/8"

CONSTANT-TORQUE AS
 5/16" 410 Stainless Steel Hex Screw
 9/16" Band in 300-Series SS
 Eight Stainless Steel Belleville Washers

CONSTANT-TORQUE HD
 3/8" Plated Hex Screw
 5/8" Band in 300-Series SS
 Ten Stainless Steel Belleville Washers

CONSTANT-TORQUE HD SS
 3/8" 410 Stainless Steel Hex Screw
 5/8" Band in 300-Series SS
 Ten Stainless Steel Belleville Washers



SAE	CONSTANT-TORQUE AS		inches (A)		mm	
	Brand PN	Global PN	min	max	min	max
10	CT 9410	0362 0302 021	9/16	1 1/16	14	27
12	CT 9412	0362 0302 025	11/16	1 1/4	17	32
16	CT 9416	0362 0302 029	13/16	1 1/2	21	38
20	CT 9420	0362 0302 033	13/16	1 3/4	21	44
24	CT 9424	0362 0302 039	1 1/16	2	27	51
28	CT 9428 B	0362 0302 049	1 5/16	2 1/4	33	57
32	CT 9432 B	0362 0302 052	1 9/16	2 1/2	40	64
36	CT 9436 B	0362 0302 058	1 13/16	2 3/4	46	70
40	CT 9440 B	0362 0302 064	2 1/16	3	52	76
44	CT 9444 B	0362 0302 075	2 5/16	3 1/4	59	83
48	CT 9448 B	0362 0302 077	2 9/16	3 1/2	65	89
52	CT 9452 B	0362 0302 083	2 13/16	3 3/4	71	95

SAE	CONSTANT-TORQUE HD		CONSTANT-TORQUE HD SS		inches (A)		mm	
	Brand PN	Global PN	Brand PN	Global PN	min	max	min	max
28	CT 175 L	0156 0003 035	CT 175 L SS	0156 0005 035	1	1 3/4	25	44
212	CT 200 L	0156 0003 043	CT 200 L SS	0156 0005 043	1 1/4	2 1/8	32	54
262	CT 250 L	0156 0003 056	CT 250 L SS	0156 0005 056	1 3/4	2 5/8	45	67
312	CT 300 L	0156 0003 068	CT 300 L SS	0156 0005 068	2 1/4	3 1/8	57	79
362	CT 350 L	0156 0003 081	CT 350 L SS	0156 0005 081	2 3/4	3 5/8	70	92
412	CT 400 L	0156 0003 094	CT 400 L SS	0156 0005 094	3 1/4	4 1/8	83	105
462	CT 450 L	0156 0003 107	CT 450 L SS	0156 0005 107	3 3/4	4 5/8	95	117
512	CT 500 L	0156 0003 119	CT 500 L SS	0156 0005 119	4 1/4	5 1/8	108	130
562	CT 550 L	0156 0003 132	CT 550 L SS	0156 0005 132	4 3/4	5 5/8	121	143
612	CT 600 L	0156 0003 145	CT 600 L SS	0156 0005 145	5 1/4	6 1/8	133	156
662	CT 650 L	0156 0003 157	CT 650 L SS	0156 0005 157	5 3/4	6 5/8	146	168
712	CT 700 L	0156 0003 170	CT 700 L SS	0156 0005 170	6 1/4	7 1/8	159	181
762	CT 750 L	0156 0003 183	CT 750 L SS	0156 0005 183	6 3/4	7 5/8	172	194
812	CT 800 L	0156 0003 195	CT 800 L SS	0156 0005 195	7 1/4	8 1/8	184	206
862	CT 850 L	0156 0003 208	CT 850 L SS	0156 0005 208	7 3/4	8 5/8	197	219
912	CT 900 L	0156 0003 221	CT 900 L SS	0156 0005 221	8 1/4	9 1/8	210	232