

# Breeze Aero-Seal®



The original perforated stainless steel worm-drive clamp for aircraft and industrial applications.

9/16" Band with Arcial Perforations | Quadra-Lock Construction | Per SAE Standard J1508 Type F | Diameter Range 7/16" – 12 1/4"

### 100 AERO-SEAL

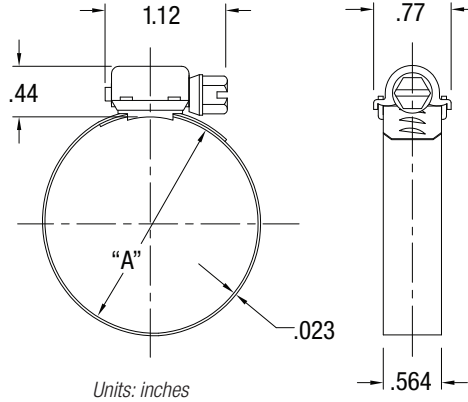
5/16" Plated Hex Screw  
9/16" Band in 300-Series SS  
Two-Piece Housing in 300-Series SS

### 200 AERO-SEAL

5/16" 410 Stainless Steel Hex Screw  
9/16" Band in 300-Series SS  
Two-Piece Housing in 300-Series SS

### 300 AERO-SEAL

5/16" 300-Series SS Hex Screw  
9/16" Band in 300-Series SS  
Two-Piece Housing in 300-Series SS



SAE	100 AERO-SEAL		200 AERO-SEAL		300 AERO-SEAL		inches (A)		mm	
	Brand PN	Global PN	Brand PN	Global PN	Brand PN	Global PN	min	max	min	max
6	100 06 H	0360 0000 016	200 06 H	0360 0020 016	300 06 H	0360 0030 016	7/16	25/32	11	20
8	100 08 H	0360 0000 018	200 08 H	0360 0020 018	300 08 H	0360 0030 018	1/2	29/32	13	23
10	100 10 H	0360 0000 021	200 10 H	0360 0020 021	300 10 H	0360 0030 021	9/16	1 1/16	14	27
12	100 12 H	0360 0000 025	200 12 H	0360 0020 025	300 12 H	0360 0030 025	11/16	1 1/4	17	32
16	100 16 H	0360 0000 030	200 16 H	0360 0020 030	300 16 H	0360 0030 030	13/16	1 1/2	21	38
20	100 20 H	0360 0000 033	200 20 H	0360 0020 033	300 20 H	0360 0030 033	13/16	1 3/4	21	44
24	100 24 H	0360 0000 039	200 24 H	0360 0020 039	300 24 H	0360 0030 039	1 1/16	2	27	51
28	100 28 H	0360 0000 045	200 28 H	0360 0020 045	300 28 H	0360 0030 046	1 5/16	2 1/4	33	57
32	100 32 H	0360 0000 052	200 32 H	0360 0020 052	300 32 H	0360 0030 052	1 9/16	2 1/2	40	64
36	100 36 H	0360 0000 058	200 36 H	0360 0020 058	300 36 H	0360 0030 058	1 13/16	2 3/4	46	70
40	100 40 H	0360 0000 064	200 40 H	0360 0020 064	300 40 H	0360 0030 064	2 1/16	3	52	76
44	100 44 H	0360 0000 071	200 44 H	0360 0020 071	300 44 H	0360 0030 071	2 5/16	3 1/4	59	83
48	100 48 H	0360 0000 077	200 48 H	0360 0020 077	300 48 H	0360 0030 077	2 9/16	3 1/2	65	89
52	100 52 H	0360 0000 083	200 52 H	0360 0020 083	300 52 H	0360 0030 083	2 13/16	3 3/4	71	95
56	100 56 H	0360 0000 090	200 56 H	0360 0020 090	300 56 H	0360 0030 090	3 1/16	4	78	102
60	100 60 H	0360 0000 096	200 60 H	0360 0020 096	300 60 H	0360 0030 096	3 5/16	4 1/4	84	108
64	100 64 H	0360 0010 103	200 64 H	0360 0020 103	300 64 H	0360 0030 103	3 9/16	4 1/2	91	114
72	100 72 H	0360 0000 088	200 72 H	0360 0020 088	300 72 H	0360 0030 088	1 7/8	5	48	127
80	100 80 H	0360 0000 102	200 80 H	0360 0020 102	300 80 H	0360 0030 102	2 1/2	5 1/2	64	140
88	100 88 H	0360 0000 116	200 88 H	0360 0020 116	300 88 H	0360 0030 116	3 1/8	6	79	152
96	100 96 H	0360 0000 129	200 96 H	0360 0020 129	300 96 H	0360 0030 129	3 5/8	6 1/2	92	165
104	100 104 H	0360 0000 142	200 104 H	0360 0020 142	300 104 H	0360 0030 142	4 1/8	7	105	178
128	100 128 H	0360 0000 180	200 128 H	0360 0020 180	300 128 H	0360 0030 180	5 5/8	8 1/2	143	216
152	100 152 H	0360 0000 218	200 152 H	0360 0020 218	300 152 H	0360 0030 218	7 1/8	10	181	254
188	100 188 H	0360 0000 275	200 188 H	0360 0020 275	300 188 H	0360 0030 275	9 3/8	12 1/4	238	311