

# AccuSeal®



Durable sealing performance for slotted overlap joint automotive exhaust systems.

For Slotted Lap Joint Connection | Superior Clamp Load Capacity | Reaction Block Technology | Diameter Range 1 3/4" – 7"

### AF ACCUSEAL

Aluminized Steel  
Corrosion-Resistant Hardware

### SF ACCUSEAL

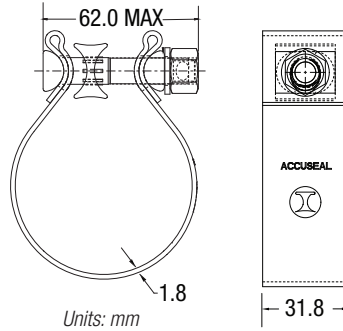
409 Stainless Steel  
Corrosion-Resistant Hardware

### BF ACCUSEAL

430 Stainless Steel  
Corrosion-Resistant Hardware

### PF ACCUSEAL

430 Stainless Steel Polished  
Corrosion-Resistant Hardware



AF ACCUSEAL		SF ACCUSEAL		BF ACCUSEAL		PF ACCUSEAL		Nominal Joint Diameter	
Brand PN	Global PN	Brand PN	Global PN	Brand PN	Global PN	Brand PN	Global PN	inches	mm
A17AF	0366 0050 500	A17SF	0366 0050 499	A17BF	0366 0080 500	A17PF	0366 0090 500	1 3/4	44.5
A20AF	0366 0060 564	A20SF	0366 0040 564	A20BF	0366 0000 564	A20PF	03660 020 564	2	50.8
A22AF	0366 0020 627	A22SF	0366 0080 627	A22BF	0366 0060 627	A22PF	0366 0070 627	2 1/4	57.2
A25AF	0366 0030 691	A25SF	0366 1200 691	A25BF	0366 0000 691	A25PF	0366 0090 691	2 1/2	63.5
A27AF	0366 0020 754	A27SF	0366 0070 754	A27BF	0366 0050 754	A27PF	0366 1200 754	2 3/4	69.9
A30AF	0366 0070 818	A30SF	0366 0030 818	A30BF	0366 1200 818	A30PF	0366 0040 818	3	76.2
A35AF	0366 0060 949	A35SF	0366 0000 949	A35BF	0366 0020 949	A35PF	0366 0010 949	3 1/2	88.9
A40AF	0366 0071 072	A40SF	0366 1241 072	A40BF	0366 1221 072	A40PF	0366 0091 072	4	101.6
A45AF	0366 0021 199	A45SF	0366 0001 188	A45BF	0366 0011 199	A45PF	0366 0071 199	4 1/2	114.3
A50AF	0366 0061 326	A50SF	0366 1211 326	A50BF	0366 0021 326	A50PF	0366 0041 326	5	127.0
A60AF	0366 0041 580	A60SF	0366 0061 580	A60BF	0366 0021 580	A60PF	0366 0071 580	6	152.4
A70AF	0366 0021 841	-	-	A70BF	0366 0031 841	A70PF	0366 0051 841	7	177.8

Note: AccuSeal® connections require 'sized' and slotted pipe. Torca recommends the Torca Seal-Slot design (see below).

Note: Additional sizes are available to meet specific application requirements.

## Torca Seal-Slot Lap-Style Joint Connection

