

ABA Safe™



A constant-tension worm-drive clamp that protects soft hoses against damage.

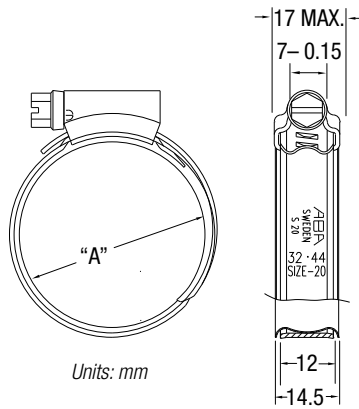
12mm Band Width | Concave Liner to Protect Soft Hoses | Innovative Jointless Housing | Diameter Range 32mm – 112mm

SAFE S20

- Slotted Hex-Head Screw
- 301 Stainless Steel Cold Rolled Liner
- 12mm Band Width
- Iconic Blue Housing

SAFE S40 (W4)

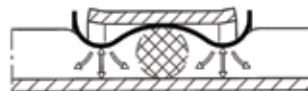
- Slotted Hex-Head Screw
- 301 Stainless Steel Cold Rolled Liner
- 12mm Band Width
- SS Housing



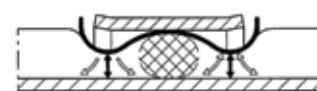
Units: mm



SAE*	Band Width		SAFE S20		SAFE S40 (W4)		inches		mm (A)	
	inches	mm	Brand PN	Global PN	Brand PN	Global PN	min	max	min	max
20	1/2	12	41045	0813 4008 038	42045	0813 4017 038	1 1/4	1 3/4	32	44
24	1/2	12	41050	0813 4008 044	42050	0813 4017 044	1 1/2	2	38	50
28	1/2	12	41056	0813 4008 050	42056	0813 4017 050	1 3/4	2 3/16	44	56
32	1/2	12	41065	0813 4008 058	42065	0813 4017 058	2	2 9/16	50	65
40	1/2	12	41075	0813 4008 067	42075	0813 4017 067	2 1/4	2 15/16	58	75
44	1/2	12	41085	0813 4008 077	42085	0813 4017 077	2 11/16	3 3/8	68	85
52	1/2	12	41095	0813 4008 086	42095	0813 4017 086	3	3 3/4	77	95
64	1/2	12	41112	0813 4008 100	42112	0813 4017 100	3 7/16	4 7/16	87	112



On tightening, the wave-shaped band causes maximum compression of the rubber at the two beads. The rubber is squeezed inwards towards the middle and outwards toward the edges. As the rubber between the two beads is only marginally affected it retains its elasticity and acts as an "O" ring.



On heating the band, the "O" ring flattens out. As it cools down it will assume its original shape and seal against the end fitting. The design of the Safe™ clamp makes it particularly suitable for soft hoses with relatively thick walls. Plastic piping that is relatively resistant to compression can often be sealed due to the increased pressure.