

ABA Nova



A non-perforated worm-drive hose clamp with a rolled-edge band that is an ideal choice for smaller dimension hoses.

Embossed 9mm Band with Rolled Edges | **Innovative Jointless Housing** | **SAE Standard J1508 Type FE** | **Diameter Range 8mm – 75mm**

NOVA S20

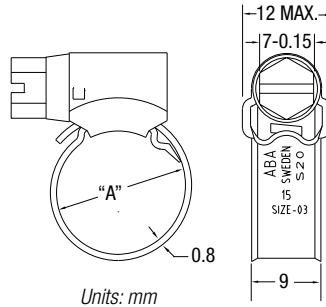
All Pre-Galvanized Steel
Slotted Hex-Head Screw
9mm Band Width
Diameter Range 8mm - 75mm

NOVA S40 (W4)

All 304 Stainless Steel
Slotted Hex-Head Screw
9mm Band Width
Diameter Range 8mm- 38mm

NOVA S50 (W5)

All 316 Stainless Steel
Slotted Hex-Head Screw
9mm Band Width
Diameter Range 8mm-20mm



Safe S40

Safe S20



SAE*	Band Width		NOVA S20		NOVA S40 (W4)	NOVA S50 (W5)		inches		mm (A)	
	inches	mm	Brand PN	Global PN	Global PN	Brand PN	Global PN	min	max	min	max
3	3/8	9	19015	0811 6108 011	0811 6110 011	13014A	0811 6112 011	5/16	9/16	8	14
4	3/8	9	19017A	0811 6108 014	0811 6110 014	13017	0811 6112 014	7/16	11/16	11	17
6	3/8	9	19022A	0811 6108 017	0811 6110 017	13020	0811 6112 017	1/2	13/16	13	20
8	3/8	9	19025	0811 6108 020	0811 6110 020	-	-	9/16	15/16	15	24
10	3/8	9	19028	0811 6108 024	0811 6110 024	-	-	3/4	1 1/8	19	28
12	3/8	9	19032	0811 6108 027	0811 6110 027	-	-	7/8	1 1/4	22	32
16	3/8	9	19040	0811 6108 032	0811 6110 032	-	-	1	1 1/2	26	38
20	3/8	9	19045	0811 6108 038	-	-	-	1 1/4	1 3/4	32	44
24	3/8	9	19050	0811 6108 044	-	-	-	1 1/2	2	38	50
28	3/8	9	19056	0811 6108 050	-	-	-	1 3/4	2 3/16	44	56
32	3/8	9	19065	0811 6108 058	-	-	-	2	2 9/16	50	65
40	3/8	9	19075	0811 6108 067	-	-	-	2 1/4	2 15/16	58	75

*SAE sizes are approximate

