

ABA Original

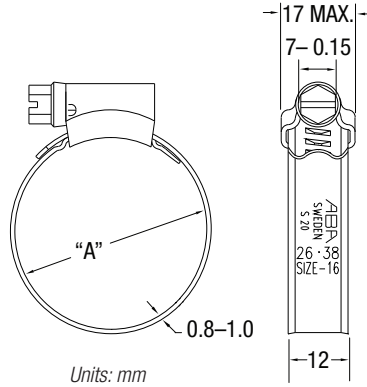


An embossed worm-drive hose clamp with a one-piece housing, and an embossed band with rolled edges.

Embossed Band with Rolled Edges | Innovative Jointless Housing | SAE Standard J1508 Type FE | Diameter Range 15mm – 307mm

ORIGINAL S20 (W2)
 Slotted Hex-Head Screw
 12mm Band Width
 Iconic Blue Housing

ORIGINAL S40 (W4)
 Slotted Hex-Head Screw
 12mm Band Width
 Stainless Steel Housing



Units: mm



SAE*	Band Width		ORIGINAL S20		ORIGINAL S40		inches		mm (A)	
	inches	mm	Brand PN	Global PN	Brand PN	Global PN	min	max	min	max
8	1/2	12	11024	0813 4001 020	12024	0813 4003 020	9/16	15/16	15	24
10	1/2	12	11028	0813 4001 024	12028	0813 4003 024	3/4	1 1/8	19	28
12	1/2	12	11032	0813 4001 027	12032	0813 4003 027	7/8	1 1/4	22	32
16	1/2	12	11038	0813 4001 032	12038	0813 4003 032	1	1 1/2	26	38
20	1/2	12	11044	0813 4001 038	12044	0813 4003 038	1 1/4	1 3/4	32	44
24	1/2	12	11050	0813 4001 044	12050	0813 4003 044	1 1/2	2	38	50
28	1/2	12	11056	0813 4001 050	12056	0813 4003 050	1 3/4	2 3/16	44	56
32	1/2	12	11065	0813 4001 058	12065	0813 4003 058	2	2 9/16	50	65
40	1/2	12	11075	0813 4001 067	12075	0813 4003 067	2 1/4	2 15/16	58	75
44	1/2	12	11085	0813 4001 077	12085	0813 4003 077	2 11/16	3 3/8	68	85
52	1/2	12	11095	0813 4001 086	12095	0813 4003 086	3	3 3/4	77	95
64	1/2	12	11112	0813 4001 100	12112	0813 4003 100	3 7/16	4 7/16	87	112
80	1/2	12	11138	0813 4001 121	12138	0813 4003 121	4 1/16	5 7/16	104	138
96	1/2	12	11165	0813 4001 148	12165	0813 4003 148	5 1/8	6 1/2	130	165
104	1/2	12	11180	0813 4001 165	12180	0813 4003 165	5 15/16	7 1/16	150	180
122	1/2	12	11205	0813 4001 190	12205	0813 4003 190	6 7/8	8 1/16	175	205
138	1/2	12	11231	0813 4001 216	12231	0813 4003 216	7 7/8	9 1/16	200	231
154	1/2	12	11256	0813 4001 241	12256	0813 4003 241	8 7/8	10 1/16	226	256
170	1/2	12	11282	0813 4001 267	12282	0813 4003 267	9 7/8	11 1/8	251	282
186	1/2	12	11307	0813 4001 292	12307	0813 4003 292	10 15/16	12 1/16	277	307

*SAE sizes are approximate

