

ABA Original S50 & SMO

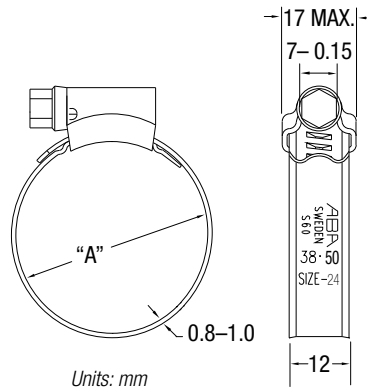


An embossed worm-drive hose clamp with a one-piece housing, and an embossed band with rolled edges.

Embossed Band with Rolled Edges | Acid-Resistant Steel | SAE Standard J1508 Type FE | Diameter Range 15mm – 308mm

ORIGINAL S50 (W5)
Slotted Hex-Head Screw
12mm Band Width
All Acid-Resistant Steel

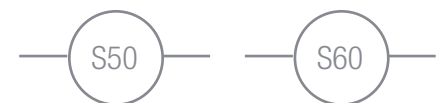
ORIGINAL SMO
Hex Head Screw
12mm SMO12 Band
All Acid Resistant Steel



SAE*	Band Width		ORIGINAL S50 ¹ (W5) Global PN	inches		mm (A)	
	inches	mm		min	max	min	max
8	1/2	12	0813 4037 020	9/16	15/16	15	24
10	1/2	12	0813 4037 024	3/4	1 1/8	19	28
12	1/2	12	0813 4037 027	7/8	1 1/4	22	32
16	1/2	12	0813 4037 032	1	1 1/2	26	38
20	1/2	12	0813 4037 038	1 1/4	1 3/4	32	44
24	1/2	12	0813 4037 044	1 1/2	2	38	50
28	1/2	12	0813 4037 045	1 1/4	2 1/4	32	57
32	1/2	12	0813 4037 051	1 1/2	2 1/2	38	64
36	1/2	12	0813 4037 057	1 3/4	2 3/4	44	70
40	1/2	12	0813 4037 064	2	2 15/16	51	76
42	1/2	12	0813 4037 067	2 1/8	3 1/8	54	80
44	1/2	12	0813 4037 070	2 1/4	1 1/4	57	83
48	1/2	12	0813 4037 077	2 1/2	3 1/2	64	89
52	1/2	12	0813 4037 083	2 3/4	3 3/4	70	95
56	1/2	12	0813 4037 089	3	4	76	102
60	1/2	12	0813 4037 096	1 1/4	4 1/4	83	108
64	1/2	12	0813 4037 102	3 1/2	4 1/2	89	114
72	1/2	12	0813 4037 108	4 1/2	5	89	127
80	1/2	12	0813 4037 121	4	5 1/2	102	140
88	1/2	12	0813 4037 133	4 1/2	6	114	152
96	1/2	12	0813 4037 146	5	6 1/2	127	165
104	1/2	12	0813 4037 159	5 1/2	7	140	178
112	1/2	12	0813 4037 172	6	7 1/2	152	191
122	1/2	12	0813 4037 184	6 1/2	8	165	203
128	1/2	12	0813 4037 197	7	8 1/2	178	216
138	1/2	12	0813 4037 213	7 5/8	9 1/8	194	232
154	1/2	12	0813 4037 238	8 5/8	10 1/8	219	257
170	1/2	12	0813 4037 264	9 5/8	11 1/8	244	283
186	1/2	12	0813 4037 289	10 5/8	12 1/8	270	308

SAE*	Band Width		ORIGINAL SMO Global PN	inches		mm (A)	
	inches	mm		min	max	min	max
8	1/2	12	0813 0043 020	9/16	15/16	15	24
10	1/2	12	0813 0043 024	3/4	1 1/8	19	28
12	1/2	12	0813 0043 027	7/8	1 1/4	22	32
16	1/2	12	0813 0043 032	1	1 1/2	26	38
20	1/2	12	0813 0043 038	1 1/4	1 3/4	32	44
24	1/2	12	0813 0043 044	1 1/2	2	38	50
28	1/2	12	0813 0043 050	1 3/4	2 3/16	44	56
32	1/2	12	0813 0043 058	2	2 9/16	50	65
40	1/2	12	0813 0043 067	2 1/4	2 15/16	58	75
44	1/2	12	0813 0043 077	2 11/16	3 3/8	68	85
52	1/2	12	0813 0043 086	3	3 3/4	77	95
64	1/2	12	0813 0043 100	3 7/16	4 7/16	87	112
80	1/2	12	0813 0043 121	4 1/16	5 7/16	104	138
96	1/2	12	0813 0043 148	5 1/8	6 1/2	130	165
104	1/2	12	0813 0043 165	5 15/16	7 1/16	150	180
122	1/2	12	0813 0043 190	6 7/8	8 1/16	175	205
138	1/2	12	0813 0043 216	7 7/8	9 1/16	200	231
154	1/2	12	0813 0043 241	8 7/8	10 1/16	226	256
170	1/2	12	0813 0043 267	9 7/8	11 1/8	251	282
186	1/2	12	0813 0043 292	10 15/16	12 1/16	277	307

*SAE sizes are approximate



¹ This series replaces the old ABA Ultra series: SS12017ABA-SS12308ABA