



NORMA Americas Distribution Services Product Catalog



NORMA GROUP

NORMA Group

NORMA Americas Distribution Services Product Catalog



This catalog supersedes all previous issues. All rights reserved in all countries. No part of this publication may be reproduced without our prior written consent. In NORMA Group's policy of continual product improvements to meet user needs and technological developments, all models and sets listed in this catalog (photographs, specifications, sizes, and weights) may be upgraded or discontinued without notice and without any obligation on our part to modify tools or equipment sold previously. The recommendations for use and safety given in this catalog do not replace accepted good practice or the safety-related legal and regulatory provisions.

NORMA Americas Distribution Services

325 West Silverbell Road, Suite 230 | Lake Orion, MI 48359 USA
Tel 1.855.NORMA2U | 1.855.667.6228 | Fax 1.855.804.4646 | Email norma2u@normagroup.com | www.normaAmericasDS.com

1-21-6-180404-US





The Widest Range of Joining Technologies

The NORMA Group of companies — ABA®, BREEZE®, Torca®, R.G.RAY®, NORMA, and FiveStar — represent the world's leading joining technology manufacturers. We offer clamps and joining solutions to meet the needs of a wide range of applications and industries, including automotive, commercial vehicle, general industrial, marine, and commercial development.

Engineering Excellence

NORMA Group brands have been leaders in the development of joining technologies for more than a century. With four engineering centers of excellence and specialists working in a variety of engineering disciplines, we are able to develop and refine products to meet the most exacting needs of a growing customer base.

NORMA Group products meet or exceed all applicable standards in each product group and we are accustomed to working within the strict tolerances of the automotive, aerospace, and military manufacturing communities.

A World of Solutions, Delivered to You

Stocking more than 2,500 SKUs and utilizing over 74,000 square feet of warehouse space in our Distribution Center in Lake Orion, Michigan, NORMA Group's Distribution Services offers a full spectrum of packaging, shipping, and labeling solutions to meet the needs of customers.

Our logistical expertise allows us to fill even complex orders rapidly. All in-stock SKUs are guaranteed to ship within 48 hours.



NORMA Americas Distribution Services

325 West Silverbell Road, Suite 230 | Lake Orion, MI 48359 USA
Tel 1.855.NORMA2U | 1.855.667.6228 | Fax 1.855.804.4646 | Email norma2u@normagroup.com | www.normaAmericasDS.com



Table of Contents

How To Use This Catalog 2-3

Reference Section

Full-Line Application Matrix 4-5

ABA®

Portfolio Quick Reference 6

Safeseal™ Technology 7

ABA Mini 8

ABA Nova 9

ABA Original 10

ABA Original SMO 11

ABA Safe™ 12

Merchandising Racks & Tools 13

BREEZE®

Portfolio Quick Reference 14-15

Mini 16

Fuel Injection Clamp 16

Power-Seal® 17

Liner 18

Make-A-Clamp® 19

Aero-Seal® 20-21

Jet Aero-Seal® 22

Aerospace & 'Mil' Spec 23

Hi-Torque 24

Constant-Torque® 25

Super-Seal 26

T-Bolt 27

Spring-Loaded T-Bolt 28

HD Spring-Loaded T-Bolt 29

V-Bands 30-31

Merchandising Racks 32-33

Torca®

Portfolio Quick Reference 34-35

AccuSeal® 36

AccuSeal® with Sleeve 37

DuraSeal® 38

Coupler 39

DPF Coupler 55 Wide 40

Euro Coupler 41

SEC (Swivel Exhaust Clamp) 42

TorcTite® with Butt Style Joint 43

TorcTite® with Lap Style Joint 44-45

EasySeal® 46

U-Bolt 47

Uni-Strap & AccuLock 47

R.G.RAY®

Portfolio Quick Reference 48-49

T-Bolt 50

Mini Flex Seal 51

Flex Seal Spring 52

Flex Seal HD Spring 53

General Purpose V-Insert 54-55

Quick Connect V-Insert 56

Quick Release V-Insert 56

Light-Duty V-Insert 57

Roll Formed V-Clamp 58

Flex Roll Formed V-Clamp 59

Uni-Flex V-Clamp 59

E-Series V-Clamp 60-61

V-Clamp Halves 62

V-Coupling 62

Strap Clamps 63

Mounting Clamps 63

Muffler/Heat Shield Clamps 63

NORMA®

Portfolio Quick Reference 64-65

NORMACLAMP®

Torro® 66-67

Torro® WF 68

Cobra 69

FBS 70-71

GBS 72-73

NORMAFIX®

RS/RSGU 74-75

NORMACONNECT®

FGR Introduction 76-77

Flex/Flex E 78

Rep/Rep E 79

Grip/Grip E 80

Combi-Grip / Grip E 81

Plast-Grip / Grip E 82

Grip E-FP 83

FGR RFP 84

FGR Approvals 85

NORMAQUICK®

Twist II 86

S 86

CA SAE 86

V2 87

PS3 87

CA C-Style 87

FiveStar

Portfolio Quick Reference 88

V-Band Clamps 89

Barrel Band Clamp 90

Barrel Band Clamp with Shoe 91

T-Bolt Hose Clamps 92-93

Spring-Loaded T-Bolt Clamp 94

Quick Release T-Bolt Mounting Clamp ... 95

Muffler Mounting Clamps 96

Strap Clamps 97

Custom Products 98

Helpful Tools to Find Your Products

Our goal is to help you find the right joining solution, quickly and easily. To find all the information you need, this catalog is organized by each brand, and divided into three main sections:

Features, Benefits & Education	Portfolio Quick Reference	Product Reference Pages
Graphically displays and highlights the most important attributes of each brand and product type	Enables you to see, at-a-glance, everything each brand has to offer	Delivers essential technical information and part numbers needed to efficiently order your product

Get to Know Our Product Reference Pages

These easy-to-read pages are designed to deliver all the information you need to choose and order your product.

Application Icons

- Residential
- Commercial Vehicle
- Passenger Vehicle
- Infrastructure
- Industrial

Detailed product description and attributes

BREEZE Aero-Seal®
The original perforated stainless steel worm-drive clamp for aircraft and industrial applications.

9/16" Band with Arcial Perforations Quadra-Lock Construction Per SAE Standard J1508 Type F Diameter Range 7/16" - 12-1/4"

100 AERO-SEAL
5/16" Plated Hex Screw
9/16" Band in 300-Series SS
Two-Piece Housing in 300-Series SS

200 AERO-SEAL
5/16" 410 Stainless Steel Hex Screw
9/16" Band in 300-Series SS
Two-Piece Housing in 300-Series SS

300 AERO-SEAL
5/16" 300-Series SS Hex Screw
9/16" Band in 300-Series SS
Two-Piece Housing in 300-Series SS

Each color-coded bar indicates a change of product attribute(s) and aligns with the details in the table below. Simply match the colors.

Each detailed product table contains sizes, part numbers and other essential information needed for ordering. Color-coded columns make this information easier to find

SAE	100 AERO-SEAL		200 AERO-SEAL		300 AERO-SEAL		Inches (A)	mm
	Brand PN	Global PN	Brand PN	Global PN	Brand PN	Global PN		
6	100 06 H	0360 0000 016	200 06 H	0360 0020 016	300 06 H	0360 0030 016	7/16	25/32
8	100 08 H	0360 0000 018	200 08 H	0360 0020 018	300 08 H	0360 0030 018	1/2	29/32
10	100 10 H	0360 0000 021	200 10 H	0360 0020 021	300 10 H	0360 0030 021	9/16	1-1/16
12	100 12 H	0360 0000 025	200 12 H	0360 0020 025	300 12 H	0360 0030 025	11/16	1-1/4
16	100 16 H	0360 0000 030	200 16 H	0360 0020 030	300 16 H	0360 0030 030	13/16	1-1/2
20	100 20 H	0360 0000 033	200 20 H	0360 0020 033	300 20 H	0360 0030 033	15/16	1-3/4
24	100 24 H	0360 0000 039	200 24 H	0360 0020 039	300 24 H	0360 0030 039	1-1/16	2
28	100 28 H	0360 0000 045	200 28 H	0360 0020 045	300 28 H	0360 0030 045	1-9/16	2-1/4
32	100 32 H	0360 0000 052	200 32 H	0360 0020 052	300 32 H	0360 0030 052	1-9/16	2-1/2
36	100 36 H	0360 0000 058	200 36 H	0360 0020 058	300 36 H	0360 0030 058	1-13/16	2-3/4
40	100 40 H	0360 0000 064	200 40 H	0360 0020 064	300 40 H	0360 0030 064	2-1/16	3
44	100 44 H	0360 0000 071	200 44 H	0360 0020 071	300 44 H	0360 0030 071	2-5/16	3-1/4
48	100 48 H	0360 0000 077	200 48 H	0360 0020 077	300 48 H	0360 0030 077	2-9/16	3-1/2
52	100 52 H	0360 0000 083	200 52 H	0360 0020 083	300 52 H	0360 0030 083	2-13/16	3-3/4
56	100 56 H	0360 0000 090	200 56 H	0360 0020 090	300 56 H	0360 0030 090	3-1/16	4
60	100 60 H	0360 0000 096	200 60 H	0360 0020 096	300 60 H	0360 0030 096	3-5/16	4-1/4
64	100 64 H	0360 0000 103	200 64 H	0360 0020 103	300 64 H	0360 0030 103	3-9/16	4-1/2
72	100 72 H	0360 0000 088	200 72 H	0360 0020 088	300 72 H	0360 0030 088	1-1/8	5
80	100 80 H	0360 0000 102	200 80 H	0360 0020 102	300 80 H	0360 0030 102	2-1/2	5-1/2
88	100 88 H	0360 0000 116	200 88 H	0360 0020 116	300 88 H	0360 0030 116	3-1/8	6
96	100 96 H	0360 0000 129	200 96 H	0360 0020 129	300 96 H	0360 0030 129	3-5/8	6-1/2
104	100 104 H	0360 0000 142	200 104 H	0360 0020 142	300 104 H	0360 0030 142	4-1/8	7
128	100 128 H	0360 0000 180	200 128 H	0360 0020 180	300 128 H	0360 0030 180	5-5/8	9-1/2
152	100 152 H	0360 0000 218	200 152 H	0360 0020 218	300 152 H	0360 0030 218	7-1/8	19
188	100 188 H	0360 0000 275	200 188 H	0360 0020 275	300 188 H	0360 0030 275	9-3/8	12-1/4

Products proudly made in the USA will show this badge

For your convenience, our website and phone number are located at the bottom of every page

Note: The part numbers featured in this catalog represent the most popular sizes and styles for each product. For many products, other part numbers exist for unique sizes, styles, or materials, which may not be included in this catalog. If you don't see the size or style you are looking for, please call the NORMA Americas DS sales team for more information.

Material Standards

Material	Description
AIAI Material Standards	
Aluminized	Steel coated with aluminum/silicon on both sides. Provides strength and heat protection
200- Series	
201	General purpose stainless steel, very economical
202	General purpose stainless steel, very economical. Has more Chromium (Cr), Manganese (Mn), and Nickel (Ni) than 201
300- Series	
301	Highly ductile stainless steel that has excellent weldability, strength and corrosion resistance
302	Higher strength (due to increased carbon content) than 304, but with the same corrosion resistance
303	Strength and corrosion resistance characteristics similar to 304, but with sulfur and phosphorus for free machining
304	Most common grade of stainless steel, with 18/8 (18% chromium, 8% nickel). Excellent strength and corrosion resistance
309	Strength and corrosion resistance similar to 304, but with better heat resistance
316	Marine-grade stainless steel that contains molybdenum to prevent specific forms of corrosion (especially chloride)
400- Series	
409	Very economical stainless steel, used principally in automotive exhaust systems
410	High strength stainless steel with excellent wear-resistance
420	High strength, cutlery grade stainless steel, with excellent polishability
430	Good formability, but temperature and corrosion resistance is reduced. Widely used for automotive trim applications
431	Excellent impact strength at high hardness levels. Used in a variety of aircraft and general industrial applications.
439	Higher chromium content than 409 for increased temperature, corrosion, and oxidation resistance
441	Higher grade version of 409, stabilized with titanium and columbium for increased oxidation, creep resistance, and improved formability

DIN Material Standards

Material	Description
W1	All Parts Entirely Made From Galvanized Steel
W2	Band & Housing: Stainless Steel AISI 430 Screw: Galvanized Steel
W3	All Parts Entirely Made From Stainless Steel AISI 430
W4	All Parts Entirely Made From Stainless Steel AISI 304
W5	All Parts Entirely Made From Stainless Steel AISI 316

Swedish Material Standards

Material	Description
S10	Material and surface treatment chosen by the manufacturer. Min 72 hours to red rust.* Comparable to W1
S20	Material and surface treatment chosen by the manufacturer. Min. 200 hours to red rust*
S30	All parts in chrome steel 1.4016/AISI 430/SS2320. Min. time to red rust is 500 hours.* Comparable to W3
S40	All parts in stainless steel 1.4301/AISI 304/SS2333. Min. time to red rust is 500 hours.* Comparable to W4
S50	All parts in acid resistant steel 1.4436/AISI 316/ SS2343. Min. time to red rust is 2,000 hours.* Comparable to W5
S60	All parts in acid resistant steel. Min. time to red rust—well over 2,000 hours.* Screw & housing in 1.4436/AISI 316/SS2343 and band in higher grade 1.4547/SS-EN 10 088-1

*Using industry standard neutral salt-spray test

International Material Standard Designations

Material	DIN	AISI/AS	BS	AFNOR NF	SS	SUS
S10, W1			Completely Galvanized Steel			
S20			Manufacturer's Choice: Minimum 200 Hours To Red Rust*			
W2			1.4016 In Housing And Band. Screw: 72 Hours To Red Rust*			
S30, W3	1.4016	430	430 S 17	Z8 C17	2320	430
S40, W4	1.4301	304	304 S 15	Z6 CN 18-09	2332	304
S50, W5	1.4401	316	316 S 31	Z3 CND 17-11-1	2343	316
S60	1.4436	316	—	—	2347	—

SS = Swedish Standard DIN = Deutsches Institut für Normung AISI/AS = American Iron and Steel Institute / American Standard BS = British Standard AFNOR NF = Association Francaise de Normalisation SUS = Stainless Use Steel *Using industry standard neutral salt-spray test

Product Portfolio Quick Reference



ABA Mini

- | 9mm Band Width
- | Diameter Range 6.5mm – 18mm
- | S10 (W1) & S40 (W4)
- | SAE Standard J1508 FE Type

Page 8



ABA Original S50 & SMO

- | 12mm Band Width
- | Diameter Range 15mm – 308mm
- | Acid-Resistant Steel
- | SAE Standard J1508 FE Type

Page 11



ABA Nova

- | 9mm Band Width
- | Diameter Range 8mm – 75mm
- | S20 & S50 (W5)
- | SAE Standard J1508 FE Type

Page 9



ABA Safe™

- | 12mm Band Width
- | Diameter Range 32mm – 112mm
- | S20, S40 (W4)
- | SAE Standard J1508 FE Type

Page 12



ABA Original S20–S40

- | 12mm Band Width
- | Diameter Range 15mm – 307mm
- | S20, S40 (W4)
- | SAE Standard J1508 FE Type

Page 10



Merchandisers & Tools

- | Two Assortment Options
- | Wall Hanging Merchandisers
- | 7mm Screw Head Drivers
- | 25 or 60cm Sturdy/Flexible Drivers

Page 13

ABA Safeseal Technology™



Reliable

ABA clamps are designed to have a clamping force reserve and not break. They will reliably continue to develop a sealing force around the hose when tightened (see blue line Fig. 1) 360° around the joint.

One-piece pressed housing

The worm-gear housing is pressed from custom-made piping to an interior tolerance of a few hundredths of a millimeter. ABA worm-gear housings withstand high breaking torques due to the design, in comparison with riveted, welded, or folded housing designs.

High clamping force

A good clamp should be able to develop a high level of tightening force around the hose or pipe. The even tightening force secures a tight seal. Through the installation torque you decide on the level of force to apply.

Gentle on the hose

The smooth underside and rolled-up band edges are gentle on the hose and reduce the risk of leakages.

A choice of hose clamp is a choice of clamping force. Bear in mind that settings in the rubber will, in the long term, reduce the clamping force. Is the clamping force you have selected strong enough?

Be sure – choose ABA Original clamps.

Aluzinc

Our standard bands are made from an aluzinc material, which provides roughly three times better corrosion protection than traditional galvanization. An aluzinc band, in conjunction with our product design, provides the optimum clamping force.

ABA – for a better environment and quality

ABA clamps are produced in factories certified to ISO 14001 and our products can be reused many times thanks to the high and constant quality continuously surveyed in our ISO 9000:2000, as well as ISO TS 16949 systems.

ABA Mechanical efficiency and strength

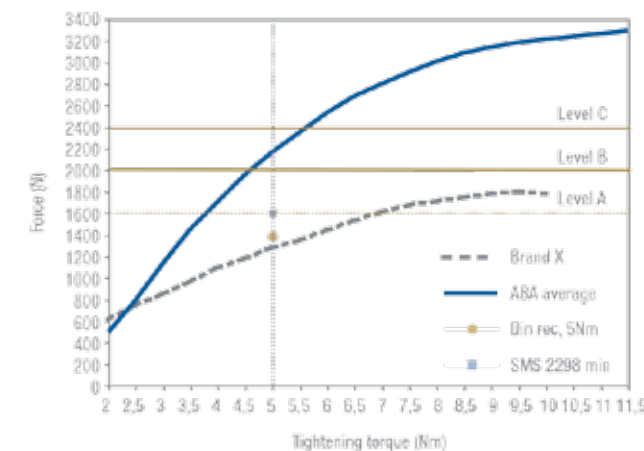


Fig 1. Mechanical efficiency of ABA clamps, i.e., the relation of tightening torque and sealing force. (2-sector “mechanical efficiency” test. Force: Newton, Speed: 200 rpm.)

ABA Mini

A nut-and-bolt hose clamp with rolled band edges that is ideally suited for small, thin-walled hoses.



Socket or Screwdriver Adjustable | 9mm Band Width | SAE Standard J1508 Type FE | Diameter Range 6.5mm – 18mm

MINI S10 (W1)

Zinc-Plated Combi-Slot Hex Head Screw
9mm Band Width
Clamp Secured Nut

MINI S40 (W4)

304 Stainless Steel Phillips Hex Head Screw
9mm Band Width
Clamp Secured Nut



Band Width		MINI S10 (W1)		inches		mm (A)	
inches	mm	Brand PN	Global PN	min	max	min	max
3/8	9	21007	0810 6101 007	1/4	5/16	6.5	7.5
3/8	9	21008	0810 6101 008	9/32	11/32	7	8.5
3/8	9	21009	0810 6101 009	5/16	3/8	8	9.5
3/8	9	21010	0810 6101 010	3/8	13/32	9	10.5
3/8	9	21011	0810 6101 011	3/8	7/16	9.5	11.5
3/8	9	21012	0810 6101 012	13/32	1/2	10.5	12.5
3/8	9	21013	0810 6101 013	7/16	17/32	11.5	13.5
3/8	9	21014	0810 6101 014	1/2	9/16	12.5	14.5
3/8	9	21015	0810 6101 015	17/32	5/8	13.5	15.5
3/8	9	21016	0810 6101 016	9/16	21/32	14	16.5
3/8	9	21017	0810 6101 017	19/32	11/16	15	17.5

MINI S40 (W4)		inches		mm (A)	
Brand PN	Global PN	min	max	min	max
22008	0810 3002 008	5/16	11/32	7.5	8.5
22009	0810 3002 009	11/32	3/8	8.5	9.5
22010	0810 3002 010	3/8	7/16	9.5	11
22011	0810 3002 011	13/32	15/32	10.5	12
22012	0810 3002 012	7/16	1/2	11.5	13
22013	0810 3002 013	1/2	21/32	12.5	14
22014	0810 3002 014	17/32	19/32	13.5	15
22015	0810 3002 015	9/16	5/8	14.5	16
22016	0810 3002 016	19/32	21/32	15	17
22017	0810 3002 017	.63	23/32	16	18



ABA Nova

A non-perforated worm-drive hose clamp with a rolled-edge band that is an ideal choice for smaller dimension hoses.



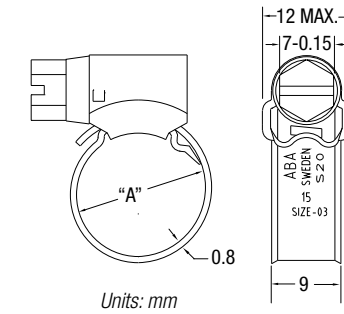
Embossed 9mm Band with Rolled Edges | Innovative Jointless Housing | SAE Standard J1508 Type FE | Diameter Range 8mm – 75mm

NOVA S20

All Pre-Galvanized Steel
Slotted Hex-Head Screw
9mm Band Width
Diameter Range 8mm - 75mm

NOVA S50 (W5)

All 316 Stainless Steel
Slotted Hex-Head Screw
9mm Band Width
Diameter Range 8mm-20mm



SAE*	Band Width		NOVA S20		NOVA S50 (W5)		inches		mm (A)	
	inches	mm	Brand PN	Global PN	Brand PN	Global PN	min	max	min	max
3	3/8	9	19015	0811 6108 011	13014A	0811 6112 011	5/16	9/16	8	14
4	3/8	9	19017A	0811 6108 014	13017	0811 6112 014	7/16	11/16	11	17
6	3/8	9	19022A	0811 6108 017	13020	0811 6112 017	1/2	13/16	13	20
8	3/8	9	19025	0811 6108 020	–	–	9/16	15/16	15	24
10	3/8	9	19028	0811 6108 024	–	–	3/4	1-1/8	19	28
12	3/8	9	19032	0811 6108 027	–	–	7/8	1-1/4	22	32
16	3/8	9	19040	0811 6108 032	–	–	1	1-1/2	26	38
20	3/8	9	19045	0811 6108 038	–	–	1-1/4	1-3/4	32	44
24	3/8	9	19050	0811 6108 044	–	–	1-1/2	2	38	50
28	3/8	9	19056	0811 6108 050	–	–	1-3/4	2-3/16	44	56
32	3/8	9	19065	0811 6108 058	–	–	2	2-9/16	50	65
40	3/8	9	19075	0811 6108 067	–	–	2-1/4	2-15/16	58	75

*SAE sizes are approximate



ABA Safe™

A constant-tension worm-drive clamp that protects soft hoses against damage.



12mm Band Width | Concave Liner to Protect Soft Hoses | Innovative Jointless Housing | Diameter Range 32mm – 112mm

SAFE S20

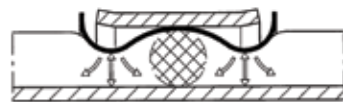
Slotted Hex-Head Screw
301 Stainless Steel Cold Rolled Liner
12mm Band Width
Iconic Blue Housing

SAFE S40 (W4)

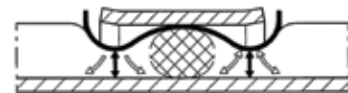
Slotted Hex-Head Screw
301 Stainless Steel Cold Rolled Liner
12mm Band Width
SS Housing



SAE*	Band Width		SAFE S20		SAFE S40 (W4)		inches		mm (A)	
	inches	mm	Brand PN	Global PN	Brand PN	Global PN	min	max	min	max
20	1/2	12	41044	0813 4008 038	42044	0813 4017 038	1-1/4	1-3/4	32	44
24	1/2	12	41050	0813 4008 044	42050	0813 4017 044	1-1/2	2	38	50
28	1/2	12	41056	0813 4008 050	42056	0813 4017 050	1-3/4	2-3/16	44	56
32	1/2	12	41065	0813 4008 058	42065	0813 4017 058	2	2-9/16	50	65
40	1/2	12	41075	0813 4008 067	42075	0813 4017 067	2-1/4	2-15/16	58	75
44	1/2	12	41085	0813 4008 077	42085	0813 4017 077	2-11/16	3-3/8	68	85
52	1/2	12	41095	0813 4008 086	42095	0813 4017 086	3	3-3/4	77	95
64	1/2	12	41112	0813 4008 100	42112	0813 4017 100	3-7/16	4-7/16	87	112



On tightening, the wave-shaped band causes maximum compression of the rubber at the two beads. The rubber is squeezed inwards towards the middle and outwards toward the edges. As the rubber between the two beads is only marginally affected it retains its elasticity and acts as an "O" ring.



On heating the band, the "O" ring flattens out. As it cools down it will assume its original shape and seal against the end fitting. The design of the Safe™ clamp makes it particularly suitable for soft hoses with relatively thick walls. Plastic piping that is relatively resistant to compression can often be sealed due to the increased pressure.

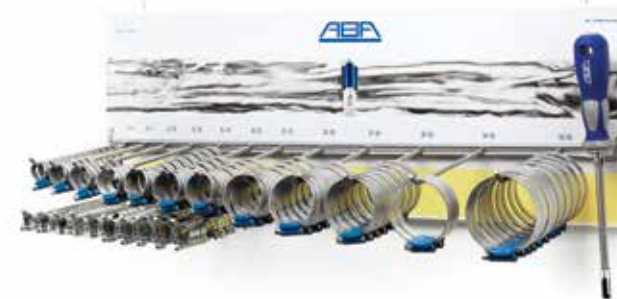
ABA Merchandisers

Dispensers with most common clamp sizes.

Two Assortment Options | Wall Hanging | Aluzinc

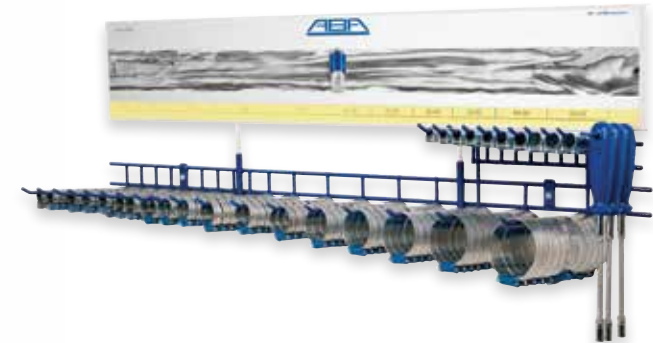
ASSORTMENT 244 -- PN 0819 0026 009	
Description	Quantity
Empty Rack 65 x 15 x 23.4 cm	1
NOVA 8-14	12
NOVA 11-17	12
NOVA 13-20	12
NOVA 15-24	24
NOVA 19-28	12
NOVA 22-32	12
NOVA 26-38	12
NOVA 32-44	12
NOVA 38-50	12
NOVA 44-56	12
NOVA 50-65	12
MINI 8	10
MINI 9	10
MINI 10	10
MINI 11	10
MINI 12	10
MINI 13	10
MINI 14	10
MINI 15	10
MINI 16	10
MINI 17	10
Flexidriver	1

244 Assortment



ASSORTMENT 335 -- PN 0819 0026 011	
Description	Quantity
Empty Rack 90 x 24 x 13.8 cm	1
NOVA 8-14	30
NOVA 11-17	30
NOVA 13-20	45
NOVA 15-24	34
NOVA 19-28	24
NOVA 22-32	12
NOVA 26-38	12
NOVA 32-44	12
NOVA 38-50	12
NOVA 44-56	12
NOVA 50-65	12
MINI 8	10
MINI 9	10
MINI 10	10
MINI 11	10
MINI 12	10
MINI 13	10
MINI 14	10
MINI 15	10
MINI 16	10
MINI 17	10
Flexidriver	1

335 Assortment



ABA Flexidriver Hand Tools

The flexible screwdriver makes installation easy and secure.

Two Sizes | 7mm Hexagonal Screw Head | Sturdy/Flexible Shaft Allows 90° Angle

ABA FLEXIDRIVER HAND TOOLS		QTY	Description
Brand PN	Global PN		
ABA DR BLUE	00000000900	1	Flexidriver 25 cm
ABA DR BLUE LG	00000000901	1	Flexidriver 60 cm

25 cm



60 cm



Product Portfolio Quick Reference



Mini

- | 5/16" Band Width
- | Diameter Range 7/32"– 2-1/2"
- | Plated, 410, 300-Series SS & 316 Stainless Steel
- | SAE Standard J1508 Type M

Page 16



Fuel Injection

- | 9mm Band Width
- | Diameter Range 10.5–15.5mm
- | Plated Combi-Slot Hex Screw
- | For All OEM Applications

Page 16



Power-Seal®

- | 1/2" Band Width
- | Diameter Range 7/16"– 7"
- | Plated, 410, 300-Series SS & 316 Stainless Steel
- | SAE Standard J1508 Type F

Page 17



Liner

- | 1/2" Band Width
- | Diameter Range 7/16"– 7"
- | Plated, 410 Stainless Steel
- | SAE Standard J1508 Type F

Page 18



Make-A-Clamp®

- | 1/2" Band Width, 9/16" Fasteners
- | Continuous Roll of Banding
- | 410 Stainless Steel Screw
- | Various Kit Combinations

Page 19



Aero-Seal®

- | 9/16" Band Width
- | Diameter Range 7/16"– 12-1/4"
- | Three Screw Options
- | SAE Standard J1508 Type F

Pages 20-21



Jet Aero-Seal®

- | 9/16" Band Width
- | Diameter Range 9/16"– 12-1/4"
- | All 300-Series SS
- | Quadra-Lock Construction

Page 22



Aerospace & 'Mil' Spec

- | 9/16" Band Width
- | Diameter Range 7/16"– 10-5/16"
- | Federal Supply Class 4730
- | SAE Standard J1508 Low Pressure Type F

Page 23



Hi-Torque

- | 5/8" Band Width
- | Diameter Range 1"– 9-1/8"
- | 410, 300-Series SS & 316 Stainless Steel Screw
- | SAE Standard J1508 Type HD

Page 24



Constant-Torque® AS

- | 9/16" Band Width
- | Diameter Range 9/16"– 3-3/4"
- | 410 Stainless Steel Screw
- | SAE Standard J1508 Type SLF

Page 25



Constant-Torque® HD

- | 5/8" Band Width
- | Diameter Range 1"– 9-1/8"
- | Plated or 410 Stainless Steel Screw
- | SAE Standard J1508 Type SLHD

Page 25



Super-Seal/Super-Seal HD

- | Worm-Drive Closure
- | Diameter Range 1.42"– 4.64"
- | Plated or 410 Stainless Steel Screw
- | HD includes Ten Belleville Washers

Page 26



T-Bolt

- | 3/4" Band Width
- | Diameter Range 1-1/4"– 8-13/16"
- | Plated or 300-Series SS Bolt
- | SAE Standard J1508 Type TB

Page 27



Spring-Loaded T-Bolt

- | 3/4" Band Width
- | Diameter Range 1-3/4"– 7-13/16"
- | Standard-Duty Spring
- | SAE Standard J1508 Type SLTB

Page 28



HD Spring-Loaded T-Bolt

- | 3/4" Band Width
- | Diameter Range 2-1/16"– 8-5/8"
- | Heavy-Duty Spring
- | SAE Standard J1508 Type SLTB

Page 29



V-Band

- | TB, AS, and Quick-Latch Styles
- | Nominal Diameter Range 2.11"– 14"
- | 400-Series SS Bolt/Screw
- | 40 Degree Insert Angle

Pages 30-31



6000 Merchandiser

- | Three Product Assortments
- | Wall Mount or Table Top
- | Full Diameter Coverage
- | 22" x 23" x 8"

Page 32



6100 Merchandiser

- | Two Product Assortments
- | Wall Mount or Table Top
- | Full Diameter Coverage
- | 14" x 18" x 8"

Page 33



6200 Merchandiser

- | Three Product Assortments
- | Wall Mount or Table Top
- | Full Diameter Coverage
- | 22" x 17" x 6"

Page 33

BREEZE Mini

A lightweight, streamlined hose clamp generally used in small-diameter applications, such as air and fuel lines.



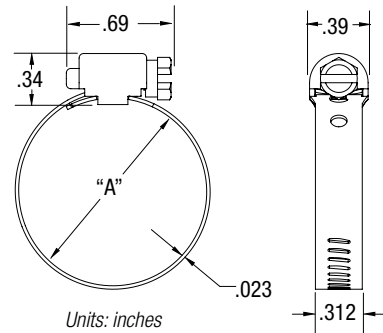
5/16" Band with Arcial Perforations | Three-Piece Construction | SAE Standard J1508 Type M | Diameter Range 7/32" – 2-1/2"

3500 MINI
1/4" Plated Hex Screw
5/16" Band in 300-Series SS
One-Piece Housing in 300-Series SS

3600 MINI
1/4" 410 Stainless Steel Hex Screw
5/16" Band in 300-Series SS
One-Piece Housing in 300-Series SS

3700 MINI
1/4" 300-Series SS Hex Screw
5/16" Band in 300-Series SS
One-Piece Housing in 300-Series SS

3800 MINI
1/4" 316 Stainless Steel Hex Screw
5/16" Band in 316 Stainless Steel
One-Piece Housing in 316 Stainless Steel



SAE	3500 MINI		3600 MINI		3700 MINI		3800 MINI		inches (A)		mm	
	Brand PN	Global PN	Brand PN	Global PN	Brand PN	Global PN	Brand PN	Global PN	min	max	min	max
4	3504	0360 0102 011	3604	0360 0103 011	3704	0360 0104 011	3804	0360 0105 011	7/32	5/8	6	16
6	3506	0360 0102 016	3606	0360 0103 016	3706	0360 0104 016	3806	0360 0105 016	7/16	25/32	11	20
8	3508	0360 0102 018	3608	0306 0103 018	3708	0360 0104 018	3808	0360 0105 018	1/2	29/32	13	23
10	3510	0360 0102 021	3610	0306 0103 021	3710	0360 0104 021	3810	0360 0105 021	9/16	1-1/16	14	27
12	3512	0360 0102 025	3612	0306 0103 025	3712	0360 0104 025	3812	0360 0105 025	11/16	1-1/4	17	32
16	3516	0360 0102 031	3616	0306 0103 031	3716	0360 0104 031	3816	0360 0105 031	15/16	1-1/2	24	38
20	3520	0360 0102 037	3620	0306 0103 037	3720	0360 0104 037	3820	0360 0105 037	1-3/16	1 3/4	30	44
24	3524	0360 0102 044	3624	0306 0103 044	3724	0360 0104 044	3824	0360 0105 044	1-7/16	2	37	51
28	3528	0360 0102 050	3628	0306 0103 050	3728	0360 0104 050	3828	0360 0105 050	1-11/16	2-1/4	43	57
32	3532	0360 0102 057	3632	0306 0103 057	3732	0360 0104 057	3832	0360 0150 057	1-15/16	2-1/2	49	64

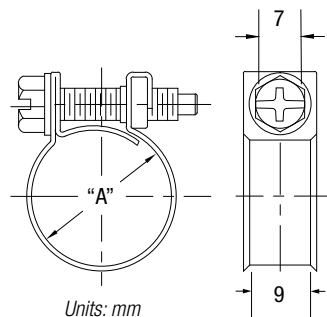
BREEZE Fuel Injection

A small-diameter clamp for automotive fuel injection hoses; approved for all OEM applications.



Socket or Screwdriver Adjustable | SAE Standard J1508 Type FE | Diameter Range 10.5mm – 15.5mm

FUEL INJECTION
Zinc-Plated Combi-Slot Hex Head Screw
9mm Band in Plated Steel
Clamp Secured Nut



FUEL INJECTION		inches		mm (A)	
Brand PN	Global PN	min	max	min	max
FI 4 PB	0363 0000 012	0.41	0.49	10.5	12.5
FI 5 PB	0363 0000 014	0.49	0.57	12.5	14.5
FI 6 PB	0363 0000 015	0.53	0.61	13.5	15.5

BREEZE Power-Seal

A general purpose automotive and industrial worm-drive hose clamp with arcial perforations for added strength.



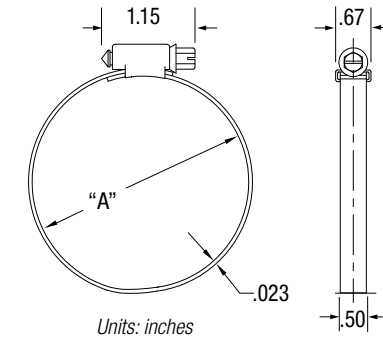
1/2" Band with Arcial Perforations | Quadra-Lock Construction | SAE Standard J1508 Type F | Diameter Range 7/16" – 7"

62000 POWER-SEAL
5/16" Plated Hex Screw
1/2" Band in 300-Series SS
Two-Piece Housing in 300-Series SS

64000 POWER-SEAL
5/16" 410 Stainless Steel Hex Screw
1/2" Band in 300-Series SS
Two-Piece Housing in 300-Series SS

63000 POWER-SEAL
5/16" 300-Series SS Hex Screw
1/2" Band in 300-Series SS
Two-Piece Housing in 300-Series SS

66000 POWER-SEAL
5/16" 316 Stainless Steel Hex Screw
1/2" Band in 316 Stainless Steel
Two-Piece Housing in 316 Stainless Steel



SAE	62000 POWER-SEAL		64000 POWER-SEAL		63000 POWER-SEAL		66000 POWER-SEAL		inches (A)		mm	
	Brand PN	Global PN	Brand PN	Global PN	Brand PN	Global PN	Brand PN	Global PN	min	max	min	max
6	62006H	0361 0114 016	64006H	0361 0116 016	63006H	0361 0115 016	66006H	0361 0117 016	7/16	25/32	11	20
8	62008H	0361 0114 018	64008H	0361 0116 018	63008H	0361 0115 018	66008H	0361 0117 018	1/2	29/32	13	23
10	62010H	0361 0114 021	64010H	0361 0116 021	63010H	0361 0115 021	66010H	0361 0117 021	9/16	1-1/16	14	27
12	62012H	0361 0114 025	64012H	0361 0116 025	63012H	0361 0115 025	66012H	0361 0117 025	11/16	1-1/4	17	32
16	62016H	0361 0114 030	64016H	0361 0116 030	63016H	0361 0115 030	66016H	0361 0117 030	13/16	1-1/2	21	38
20	62020H	0361 0114 033	64020H	0361 0116 033	63020H	0361 0115 033	66020H	0361 0117 033	13/16	1-3/4	21	44
24	62024H	0361 0114 039	64024H	0361 0116 039	63024H	0361 0115 039	66024H	0361 0117 039	1-1/16	2	27	51
28	62028H	0361 0114 045	64028H	0361 0116 045	63028H	0361 0115 045	66028H	0361 0117 045	1-5/16	2-1/4	33	57
32	62032H	0361 0114 052	64032H	0361 0116 052	63032H	0361 0115 052	66032H	0361 0117 052	1-9/16	2-1/2	40	64
36	62036H	0361 0114 058	64036H	0361 0116 058	63036H	0361 0115 058	66036H	0361 0117 058	1-13/16	2-3/4	46	70
40	62040H	0361 0114 053	64040H	0361 0116 053	63040H	0361 0115 053	66040H	0361 0117 064	2-1/16	3	52	76
44	62044H	0361 0114 059	64044H	0361 0116 059	63044H	0361 0115 059	66044H	0361 0117 071	2-5/16	3-1/4	59	83
48	62048H	0361 0114 065	64048H	0361 0116 065	63048H	0361 0115 065	66048H	0361 0117 077	2-9/16	3-1/2	65	89
52	62052H	0361 0114 072	64052H	0361 0116 072	63052H	0361 0115 072	66052H	0361 0117 083	2-13/16	3-3/4	71	95
56	62056H	0361 0114 083	64056H	0361 0116 083	63056H	0361 0115 083	66056H	0361 0117 090	3-1/16	4	78	102
60	62060H	0361 0114 084	64060H	0361 0116 084	63060H	0361 0115 084	66060H	0361 0117 096	3-5/16	4-1/4	84	108
64	62064H	0361 0114 091	64064H	0361 0116 091	63064H	0361 0115 091	66064H	0361 1097 102	3-9/16	4-1/2	91	114
72	62072H	0361 0114 088	64072H	0361 0116 088	63072H	0361 0115 088	66072H	0361 0117 088	1-7/8	5	48	127
80	62080H	0361 0114 102	64080H	0361 0116 102	63080H	0361 0115 102	66080H 5P	0361 1093 127	2-1/2	5-1/2	64	140
88	62088H	0361 0114 116	64088H	0361 0116 116	63088H	0361 0115 116	66088H 5P	0361 0117 116	3-1/8	6	79	152
96	62096H	0361 0114 129	64096H	0361 0116 129	63096H	0361 0115 129	66096H 5P	0361 1090 152	3-5/8	6-1/2	92	165
104	62104H	0361 0114 141	64104H	0361 0116 142	63104H	0361 0115 142	66104H 5P	0361 0117 142	4-1/8	7	105	178

BREEZE Liner

Liner clamps afford maximum protection to soft hoses while providing a true concentric seal.



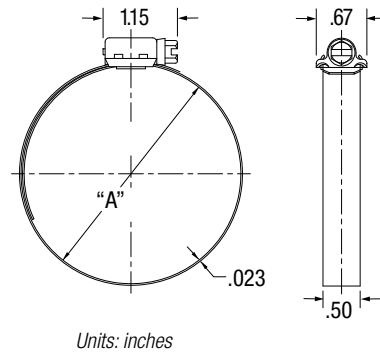
1/2" Lined Band | Quadra-Lock Construction | SAE Standard J1508 Type F | Larger Sizes have 9/16" Band | Diameter Range 7/16" – 7"

9200 LINER

5/16" Plated Hex Screw
1/2" Lined Band in 300-Series SS
Two-Piece Housing in 300-Series SS

9400 LINER

5/16" 410 Stainless Steel Hex Screw
1/2" Lined Band in 300-Series SS
Two-Piece Housing in 300-Series SS



SAE	9200 LINER		9400 LINER		inches (A)		mm	
	Brand PN	Global PN	Brand PN	Global PN	min	max	min	max
6	9206H	0361 0200 016	9406H	0361 0202 016	7/16	25/32	11	20
8	9208H	0361 0200 018	9408H	0361 0122 018	1/2	29/32	13	23
10	9210H	0361 0200 021	9410H	0361 0122 021	9/16	1-1/16	14	27
12	9212H	0361 0200 025	9412H	0361 0122 025	11/16	1-1/4	17	32
16	9216H	0361 0200 030	9416H	0361 0122 030	13/16	1-1/2	21	38
20	9220H	0361 0200 033	9420H	0361 0122 033	13/16	1-3/4	21	44
24	9224H	0361 0200 039	9424H	0361 0122 039	1-1/16	2	27	51
28	9228H	0361 0200 045	9428H	0361 0122 045	1-5/16	2-1/4	33	57
32	9232H	0361 0200 052	9432H	0361 0122 052	1-9/16	2-1/2	40	64
36	9236H	0361 0200 058	9436H	0361 0122 058	1-13/16	2-3/4	46	70
40	9240H	0361 0200 064	9440H	0361 0122 064	2-1/16	3	52	76
44	9244H	0361 0200 071	9444H	0361 0122 071	2-5/16	3-1/4	59	83
48	9248H	0361 0200 077	9448H	0361 0122 077	2-9/16	3-1/2	65	89
52	9252H	0361 0200 083	9452H	0361 0122 083	2-13/16	3-3/4	71	95
56	9256H	0361 0200 090	9456H	0361 0122 090	3-1/16	4	78	102
60	9260H	0361 0200 096	9460H	0361 0122 096	3-5/16	4-1/4	84	108
64	9264H	0361 0200 103	9464H	0361 0122 103	3-9/16	4-1/2	91	114
72	9272H	0361 0200 116	9472H	0361 0122 116	4-1/8	5	105	127
80	9280H	0361 0200 129	9480H	0361 0122 129	4-5/8	5-1/2	117	140

LINER – 9/16" BAND

88	9288	0360 0550 141	9488	0360 0560 141	5-1/8	6	130	152
96	9296	0360 0550 154	9496	0360 0560 154	5-5/8	6-1/2	143	165
104	92104	0361 0550 142	94104	0361 0560 142	6-1/8	7	156	178

BREEZE Make-A-Clamp®

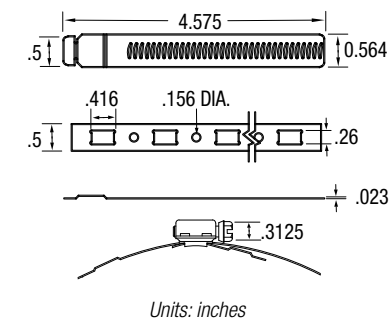
A maintenance "clamp system" that allows you to make any size 100% stainless steel worm-drive clamp.



1/2" Wide Continuous Roll of Banding Material | 9/16" Wide Fasteners | 100% Stainless Steel | Custom Diameter Ranges

MAKE-A-CLAMP 4000

410 Stainless Steel Hex Screw
300-Series SS Band and Housing
Worm-Drive Clamp with Arcial Perforations
Various Kit Combinations Available



MAKE-A-CLAMP 4000		Kit Sizes And Descriptions
Brand PN	Global PN	
4000	0364 0200 025	Mini Kit: 8-1/2 Ft. Band, 3 Adjustable Fasteners, 1 Band Splice
4001	0364 0201 003	Kit with 100 Ft. Band, 25 Adjustable Fasteners, 10 Band Splices
4002	0364 0202 030	Kit with 50 Ft. Band, 10 Adjustable Fasteners, 5 Band Splices
4003	0364 0203 125	Box of 25 Adjustable Fasteners
4004	0364 0204 100	Box of 10 Adjustable Fasteners
4005	0364 0205 300	Box with 100 Ft. Band, 10 Band Splices
4006	0364 0206 000	Box with 50 Ft. Band, 5 Band Splices
4007	0364 0207 050	6" Demonstrator Clamp System
4008	0364 0208 000	Box of 10 Band Splices

BREEZE Aero-Seal®

The original perforated stainless steel worm-drive clamp for aircraft and industrial applications.



9/16" Band with Arcial Perforations | Quadra-Lock Construction | Per SAE Standard J1508 Type F | Diameter Range 7/16" – 12-1/4"

100 AERO-SEAL

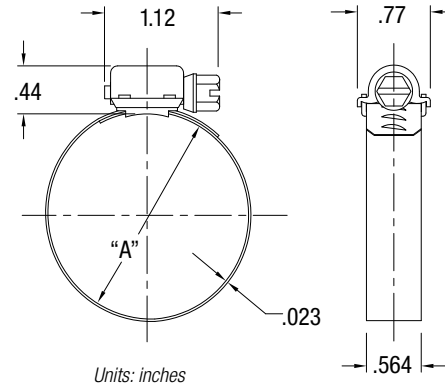
5/16" Plated Hex Screw
9/16" Band in 300-Series SS
Two-Piece Housing in 300-Series SS

200 AERO-SEAL

5/16" 410 Stainless Steel Hex Screw
9/16" Band in 300-Series SS
Two-Piece Housing in 300-Series SS

300 AERO-SEAL

5/16" 300-Series SS Hex Screw
9/16" Band in 300-Series SS
Two-Piece Housing in 300-Series SS



BREEZE Aero-Seal® Specialty Screw

The original perforated stainless steel worm-drive clamp for aircraft and industrial applications.



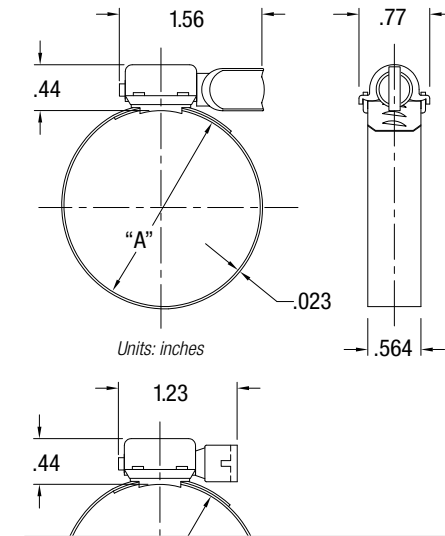
Thumb Wing or Safety Screw Options | Quadra-Lock Construction | Per SAE Standard J1508 Type F | Diameter Range 7/16" – 12-1/4"

200 AERO-SEAL THUMB WING

5/16" 410 Stainless Steel Thumb Wing Screw
9/16" Band in 300-Series SS
Two-Piece Housing in 300-Series SS

200 AERO-SEAL SAFETY

5/16" 410 Stainless Steel Safety Screw
9/16" Band in 300-Series SS
Two-Piece Housing in 300-Series SS



SAE	100 AERO-SEAL		200 AERO-SEAL		300 AERO-SEAL		inches (A)		mm	
	Brand PN	Global PN	Brand PN	Global PN	Brand PN	Global PN	min	max	min	max
6	100 06 H	0360 0000 016	200 06 H	0360 0020 016	300 06 H	0360 0030 016	7/16	25/32	11	20
8	100 08 H	0360 0000 018	200 08 H	0360 0020 018	300 08 H	0360 0030 018	1/2	29/32	13	23
10	100 10 H	0360 0000 021	200 10 H	0360 0020 021	300 10 H	0360 0030 021	9/16	1-1/16	14	27
12	100 12 H	0360 0000 025	200 12 H	0360 0020 025	300 12 H	0360 0030 025	11/16	1-1/4	17	32
16	100 16 H	0360 0000 030	200 16 H	0360 0020 030	300 16 H	0360 0030 030	13/16	1-1/2	21	38
20	100 20 H	0360 0000 033	200 20 H	0360 0020 033	300 20 H	0360 0030 033	13/16	1-3/4	21	44
24	100 24 H	0360 0000 039	200 24 H	0360 0020 039	300 24 H	0360 0030 039	1-1/16	2	27	51
28	100 28 H	0360 0000 045	200 28 H	0360 0020 045	300 28 H	0360 0030 045	1-5/16	2-1/4	33	57
32	100 32 H	0360 0000 052	200 32 H	0360 0020 052	300 32 H	0360 0030 052	1-9/16	2-1/2	40	64
36	100 36 H	0360 0000 058	200 36 H	0360 0020 058	300 36 H	0360 0030 058	1-13/16	2-3/4	46	70
40	100 40 H	0360 0000 064	200 40 H	0360 0020 064	300 40 H	0360 0030 064	2-1/16	3	52	76
44	100 44 H	0360 0000 071	200 44 H	0360 0020 071	300 44 H	0360 0030 071	2-5/16	3-1/4	59	83
48	100 48 H	0360 0000 077	200 48 H	0360 0020 077	300 48 H	0360 0030 077	2-9/16	3-1/2	65	89
52	100 52 H	0360 0000 083	200 52 H	0360 0020 083	300 52 H	0360 0030 083	2-13/16	3-3/4	71	95
56	100 56 H	0360 0000 090	200 56 H	0360 0020 090	300 56 H	0360 0030 090	3-1/16	4	78	102
60	100 60 H	0360 0000 096	200 60 H	0360 0020 096	300 60 H	0360 0030 096	3-5/16	4-1/4	84	108
64	100 64 H	0360 0010 103	200 64 H	0360 0020 103	300 64 H	0360 0030 103	3-9/16	4-1/2	91	114
72	100 72 H	0360 0000 088	200 72 H	0360 0020 088	300 72 H	0360 0030 088	1-7/8	5	48	127
80	100 80 H	0360 0000 102	200 80 H	0360 0020 102	300 80 H	0360 0030 102	2-1/2	5-1/2	64	140
88	100 88 H	0360 0000 116	200 88 H	0360 0020 116	300 88 H	0360 0030 116	3-1/8	6	79	152
96	100 96 H	0360 0000 129	200 96 H	0360 0020 129	300 96 H	0360 0030 129	3-5/8	6-1/2	92	165
104	100 104 H	0360 0000 142	200 104 H	0360 0020 142	300 104 H	0360 0030 142	4-1/8	7	105	178
128	100 128 H	0360 0000 180	200 128 H	0360 0020 180	300 128 H	0360 0030 180	5-5/8	8-1/2	143	216
152	100 152 H	0360 0000 218	200 152 H	0360 0020 218	300 152 H	0360 0030 218	7-1/8	10	181	254
188	100 188 H	0360 0000 275	200 188 H	0360 0020 275	300 188 H	0360 0030 275	9-3/8	12-1/4	238	311

SAE	200 AERO-SEAL THUMB WING		200 AERO-SEAL SAFETY		inches (A)		mm	
	Brand PN	Global PN	Brand PN	Global PN	min	max	min	max
6	200 06 W	0360 0022 016	200 06 S	0360 0021 016	7/16	25/32	11	20
8	200 08 W	0360 0022 018	200 08 S	0360 0021 018	1/2	29/32	13	23
10	200 10 W	0360 0022 021	200 10 S	0360 0021 021	9/16	1-1/16	14	27
12	200 12 W	0360 0022 025	200 12 S	0360 0021 025	11/16	1-1/4	17	32
16	200 16 W	0360 0022 030	200 16 S	0360 0021 030	13/16	1-1/2	21	38
20	200 20 W	0360 0022 033	200 20 S	0360 0021 033	13/16	1-3/4	21	44
24	200 24 W	0360 0022 039	200 24 S	0360 0021 039	1-1/16	2	27	51
28	200 28 W	0360 0022 045	200 28 S	0360 0021 045	1-5/16	2-1/4	33	57
32	200 32 W	0360 0022 052	200 32 S	0360 0021 052	1-9/16	2-1/2	40	64
36	200 36 W	0360 0022 058	200 36 S	0360 0021 058	1-13/16	2-3/4	46	70
40	200 40 W	0360 0022 064	200 40 S	0360 0021 064	2-1/16	3	52	76
44	200 44 W	0360 0022 071	200 44 S	0360 0021 071	2-5/16	3-1/4	59	83
48	200 48 W	0360 0022 077	200 48 S	0360 0021 077	2-9/16	3-1/2	65	89
52	200 52 W	0360 0022 083	200 52 S	0360 0021 083	2-13/16	3-3/4	71	95
56	200 56 W	0360 0022 090	200 56 S	0360 0021 090	3-1/16	4	78	102
60	200 60 W	0360 0022 096	200 60 S	0360 0021 096	3-5/16	4-1/4	84	108
64	200 64 W	0360 0000 091	200 64 S	0360 0021 103	3-9/16	4-1/2	91	114
72	200 72 W	0360 0006 048	200 72 S	0360 0021 088	1-7/8	5	48	127
80	200 80 W	0360 1022 102	200 80 S	0360 0021 102	2-1/2	5-1/2	64	140
88	200 88 W	0360 0002 079	200 88 S	0360 0021 116	3-1/8	6	79	152
96	200 96 W	0360 0022 129	200 96 S	0360 0021 129	3-5/8	6-1/2	92	165
104	200 104 W	0360 0001 142	200 104 S	0360 0021 142	4-1/8	7	105	178
128	200 128 W	0360 0002 143	200 128 S	0360 0021 180	5-5/8	8-1/2	143	216
152	200 152 W	0360 0022 218	200 152 S	0360 0021 218	7-1/8	10	181	254
188	200 188 W	0360 0001 238	200 188 S	0360 0021 275	9 3/8	12 1/4	238	311

BREEZE Jet Aero-Seal®

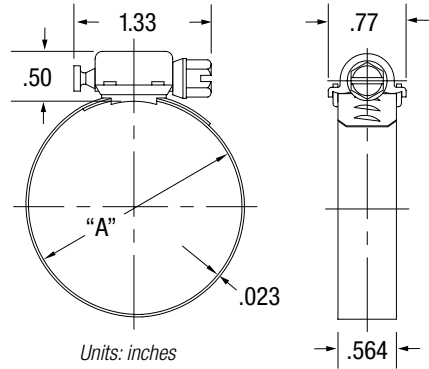
A heavy-duty stainless steel worm-drive hose clamp designed for quick assembly in a variety of applications.



Arcial Perforations | Quick-Connect Fastener | All 300-Series Stainless Steel | Diameter Range 9/16" – 12-1/4"

600 JET AERO-SEAL

Pivoting Hex Screw Assembly
9/16" Band in 300-Series SS
Two-Piece Housing



SAE	600 JET AERO-SEAL		inches (A)		mm	
	Brand PN	Global PN	min	max	min	max
10	600 10 H	0361 0600 021	9/16	1-1/16	14	27
12	600 12 H	0361 0600 025	11/16	1-1/4	17	32
16	600 16 H	0361 0600 030	13/16	1-1/2	21	38
20	600 20 H	0361 0600 033	13/16	1-3/4	21	44
24	600 24 H	0361 0000 051	1-1/16	2	27	51
28	600 28 H	0361 0600 045	1-5/16	2-1/4	33	57
32	600 32 H B	0361 0600 052	1-9/16	2-1/2	40	64
36	600 36 H	0361 0600 058	1-13/16	2-3/4	46	70
40	600 40 H	0361 0600 064	2-1/16	3	52	76
44	600 44 H	0361 0600 071	2-5/16	3-1/4	59	83
48	600 48 H	0361 1600 077	2-9/16	3-1/2	65	89
52	600 52 H	0361 0002 071	2-13/16	3-3/4	71	95
56	600 56 H	0361 0001 078	3-1/6	4	78	102
60	600 60 H	0361 0001 084	3-5/16	4-1/4	84	108
64	600 64 H	0361 0001 091	3-9/16	4-1/2	91	114
72	600 72 H B	0361 0600 088	1-7/8	5	48	127
80	600 80 H	0361 0001 064	2-1/2	5-1/2	64	140
88	600 88 H	0361 0600 116	3-1/8	6	79	152
96	600 96 H B	0361 0600 129	3-5/8	6-1/2	92	165
104	600 104 H B	0361 0600 143	4-1/8	7	105	178
128	600 128 H	0361 0600 180	5-5/8	8-1/2	143	216
152	600 152 H	0361 0600 218	7-1/8	10	181	254
188	600 188 H	0361 0600 275	9-3/8	12-1/4	238	311

Unique Quick-Connect design allows for tightening the band to desired position by sliding under the screw prior to engagement



BREEZE Aerospace and 'Mil' Spec

Military and aerospace clamps that meet federal supply class 4730.



All Stainless Steel | Meets Federal Supply Class 4730 | Diameter Range 7/16" – 10-5/16"

AN737TW - AIRCRAFT

410 Stainless Steel Thumb Wing Screw
9/16" Band in 300-Series SS
Two-Piece Housing

NAS1924

5/16" 300-Series SS Hex Screw
9/16" Band in 300-Series SS
Two-Piece Housing

MS35842 - MILITARY ORDNANCE

5/16" 410 Stainless Steel Hex Screw
9/16" Band in 300-Series SS
SAE Standard J1508 Type F

NAS1922 - LIGHTWEIGHT AIRCRAFT

1/4" 300-Series SS Screw
Optional Lock Wire Hole
Three-Piece Design



AN737TW AIRCRAFT		inches (A)		mm	
Brand PN	Global PN	min	max	min	max
AN737TW-22 B	0360 0300 014	7/16	11/16	11	17
AN737TW-24 B	0360 0300 016	1/2	3/4	13	19
AN737TW-26 B	0360 0300 017	9/16	13/16	14	21
AN737TW-30 B	0360 0300 021	11/16	15/16	17	24
AN737TW26-30 B	0360 0302 019	9/16	15/16	14	24
AN737TW-34 B	0360 0300 024	13/16	1-1/16	21	27
AN737TW-38 B	0360 0300 027	15/16	1-3/16	24	30
AN737TW34-38 B	0360 0300 025	13/16	1-3/16	21	30
AN737TW-44 B	0360 0300 030	61/64	1-3/8	24	35
AN737TW-46 B	0360 0300 031	1	1-7/16	25	37
AN737TW38-46 B	0360 0302 030	15/16	1-7/16	24	37
AN737TW-48 B	0360 0300 033	1-5/64	1-1/2	27	38
AN737TW44-48 B	0360 0302 031	61/64	1-1/2	24	38
AN737TW-56 B	0360 0300 039	1-21/64	1-3/4	34	44
AN737TW-58 B	0360 0300 040	1-3/8	1-13/16	35	46
AN737TW-66 B	0360 0300 047	1-5/8	2-1/16	41	52
AN737TW56-66 B	0360 0302 043	1-21/64	2-1/16	34	52
AN737TW-74 B	0360 0300 053	1-7/8	2-5/16	48	59
AN737TW66-74 B	0360 0302 050	1-5/8	2-5/16	41	59
AN737TW-82 B	0360 0300 060	2-1/8	2-9/16	54	65
AN737TW-91 B	0360 0300 067	2-13/32	2-27/32	61	72
AN737TW74-91 B	0360 0302 060	1-7/8	2-27/32	48	72
AN737TW-98 B	0360 0300 072	2-5/8	3-1/16	67	78
AN737TW-107 B	0360 0300 079	2-29/32	3-11/32	74	85
AN737TW-114 B	0360 0300 085	3-1/8	3-9/16	79	90
AN737TW98-114 B	0360 0302 079	2-5/8	3-9/16	67	90

MS35842 MILITARY ORDNANCE		inches (A)		mm	
Brand PN	Global PN	min	max	min	max
MS35842-10 B	0360 1400 015	7/16	25/32	11	20
MS35842-11 B	0360 1400 025	11/16	1-1/4	17	32
MS35842-12 B	0360 1400 039	1-1/16	2	27	51
MS35842-13 B	0360 1400 058	1-13/16	2-3/4	46	70
MS35842-14 B	0360 1400 077	2-9/16	3-1/2	65	89
MS35842-15 B	0360 1400 096	3-5/16	4-1/4	84	108
MS35842-16 B	0360 1400 141	4-1/8	7	105	178

NAS1922 LIGHTWEIGHT AIRCRAFT		inches (A)		mm	
Brand PN	Global PN	min	max	min	max
NAS1922-0050-3	0360 0230 013	0.43	0.63	11	16
NAS1922-0075-3	0360 0230 018	0.55	0.87	14	22
NAS1922-0100-3	0360 0230 023	0.71	1.10	18	28
NAS1922-0125-3	0360 0230 030	0.94	1.42	24	36
NAS1922-0150-3	0360 0230 035	0.98	1.77	25	45
NAS1922-0175-3	0360 0230 042	1.26	2.05	32	52
NAS1922-0200-3	0360 0230 050	1.57	2.36	40	60
NAS1922-0225-3	0360 0230 057	1.85	2.64	47	67
NAS1922-0275-3	0360 0230 072	2.44	3.23	62	82
NAS1922-0350-3	0360 0230 087	3.03	3.82	77	97
NAS1922-0400-3	0360 0230 102	3.62	4.41	92	112
NAS1922-0450-3	0360 0230 117	4.21	5.00	107	127
NAS1922-0525-3	0360 0230 132	4.8	5.59	122	142
NAS1922-0575-3	0360 0230 147	5.39	6.18	137	157
NAS1922-0625-3	0360 0230 162	5.98	6.77	152	172
NAS1922-0700-3	0360 0230 177	6.57	7.36	167	187
NAS1922-0750-3	0360 0230 192	7.17	7.95	182	202
NAS1922-0825-3	0360 0230 207	7.76	8.54	197	217
NAS1922-0875-3	0360 0230 222	8.35	9.13	212	232
NAS1922-0925-3	0360 0230 237	8.94	9.72	227	247
NAS1922-1000-3	0360 0230 252	9.53	10.31	242	262

Note: NAS1922 also available with round slotted screw (shown above).

NAS1924 AIRCRAFT		inches (A)		mm	
Brand PN	Global PN	min	max	min	max
NAS1924-22	-	7/16	5/8	11	16
NAS1924-24	-	1/2	11/16	13	17
NAS1924-26	-	9/16	3/4	14	19
NAS1924-30	-	11/16	7/8	17	22
NAS1924-34	-	13/16	1	21	25
NAS1924-38	-	15/16	1-1/8	23	28
NAS1924-44	-	61/64	1-3/8	24	35
NAS1924-46	0360 0240 030	1	1 3/8	25	35
NAS1924-48	0360 0240 032	1-5/64	29/64	27	12
NAS1924-56	0360 0240 038	1-21/64	1-45/64	34	43
NAS1924-58	0360 0240 040	1-3/8	1-3/4	35	44
NAS1924-66	0360 0240 046	1-5/8	2	41	51
NAS1924-74	0360 0240 052	1-7/8	2-1/4	48	57
NAS1924-82	0360 0240 060	2-1/8	2-1/2	54	64
NAS1924-91	0360 0240 066	2-13/32	2-25/32	61	71
NAS1924-98	0360 0240 071	2-5/8	3	67	76
NAS1924-107	0360 0240 079	2-29/32	3-9/32	74	83
NAS1924-114	0360 0240 084	3-1/8	3-1/2	79	89

BREEZE Hi-Torque

The Hi-Torque is the world's strongest worm-gear clamp and features all-stainless-steel construction.



5/8" Band Width | Inner Liner Available | SAE Standard J1508 Type HD | Diameter Range 1" – 9-1/8"

HTM / HP HI-TORQUE

5/16" 410 Stainless Steel Hex Screw
5/8" Band in 300-Series SS
Two-Piece Housing in 300-Series SS

HTM L HI-TORQUE W/ LINER

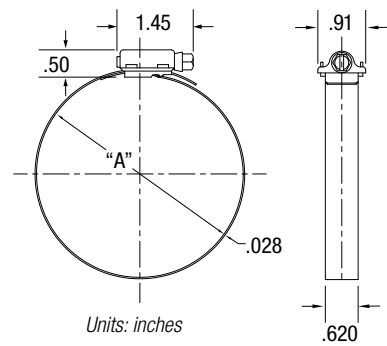
5/16" 410 Stainless Steel Hex Screw
5/8" Band in 300-Series SS with Liner
Two-Piece Housing in 300-Series SS

HP SP HI-TORQUE

5/16" 300-Series SS Hex Screw
5/8" Band in 300-Series SS
Two-Piece Housing in 300-Series SS

HTS / HPS HI-TORQUE

5/16" 316 Stainless Steel Hex Screw
5/8" Band in 316 Stainless Steel
Two-Piece Housing in 316 Stainless Steel



SAE	HTM HI-TORQUE		HTM L HI-TORQUE W/LINER		HTS HI-TORQUE		inches (A)		mm	
	Brand PN	Global PN	Brand PN	Global PN	Brand PN	Global PN	min	max	min	max
-	HTM 175	0156 0015 035	HTM 175 L	0156 0021 035	HTS 175	0156 0019 035	1	1-3/4	25	44
212	HTM 200	0156 0015 043	HTM 200 L	0156 0021 043	HTS 200	0156 0019 043	1-1/4	2-1/8	32	54
262	HTM 250	0156 0015 056	HTM 250 L	0156 0021 056	HTS 250	0156 0019 056	1-3/4	2-5/8	45	67
312	HTM 300	0156 0015 068	HTM 300 L	0156 0021 068	HTS 300	0156 0019 068	2-1/4	3-1/8	57	79
362	HTM 350	0156 0015 081	HTM 350 L	0156 0021 081	HTS 350	0156 0019 081	2-3/4	3-5/8	70	92
412	HTM 400	0156 0015 094	HTM 400 L	0156 0021 094	HTS 400	0156 0019 094	3-1/4	4-1/8	83	105
462	HTM 450	0156 0015 106	HTM 450 L	0156 0021 106	HTS 450	0156 0019 106	3-3/4	4-5/8	95	117
512	HTM 500	0156 0015 119	HTM 500 L	0156 0021 119	HTS 500	0156 0019 119	4-1/4	5-1/8	108	130
562	HTM 550	0156 0015 132	HTM 550 L	0156 0021 132	HTS 550	0156 0019 132	4-3/4	5-5/8	121	143
612	HTM 600	0156 0015 144	HTM 600 L	0156 0021 144	HTS 600	0156 0019 144	5-1/4	6-1/8	133	156
662	HTM 650	0156 0015 157	HTM 650 L	0156 0021 157	HTS 650	0156 0019 157	5-3/4	6-5/8	146	168
712	HTM 700	0156 0015 170	HTM 700 L	0156 0021 170	HTS 700	0156 0019 170	6-1/4	7-1/8	159	181
762	HTM 750	0156 0015 183	HTM 750 L	0156 0021 183	HTS 750	0156 0019 183	6-3/4	7-5/8	172	194
812	HTM 800	0156 0015 195	HTM 800 L	0156 0021 195	HTS 800	0156 0019 195	7-1/4	8-1/8	184	206
862	HTM 850	0156 0015 208	HTM 850 L	0156 0006 197	HTS 850	0156 0019 208	7-3/4	8-5/8	197	219
912	HTM 900	0156 0015 221	HTM 900 L	0156 0021 221	HTS 900	0156 0019 221	8-1/4	9-1/8	210	232

EXTENDED RANGE HI-TORQUE

SAE	HP HI-TORQUE		HP SP HI-TORQUE		HPS HI-TORQUE		inches (A)		mm	
	Brand PN	Global PN	Brand PN	Global PN	Brand PN	Global PN	min	max	min	max
-	HP 2	0156 0015 049	HP 2 SP	0156 0036 050	HPS 2	0156 0019 049	1-1/4	2-5/8	32	67
-	HP 3	0156 0015 079	HP 3 SP	0156 0036 080	HPS 3	0156 0019 079	2-1/8	4-1/8	54	105
-	HP 4	0156 0015 129	HP 4 SP	0156 0036 129	HPS 4	0156 0019 129	4	6-1/8	102	156
-	HP 5	0156 0015 194	HP 5 SP B	0156 0036 194	HPS 5	0156 0019 194	6-1/8	9-1/8	156	232

BREEZE Constant-Torque®

A worm-drive hose clamp that automatically increases or decreases diameter due to changes in temperature.



Extended Inner Liner | Constant-Tension Performance | SAE Standard J1508 Type SLF & SLHD | Diameter Range 9/16" – 9-1/8"

CONSTANT-TORQUE AS

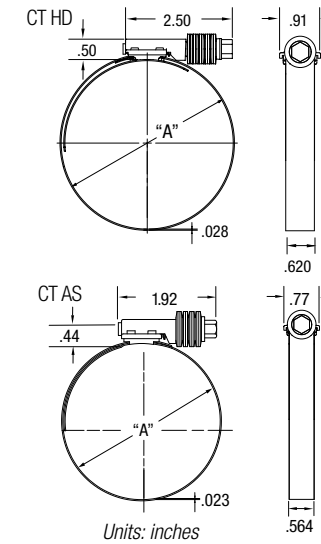
5/16" 410 Stainless Steel Hex Screw
9/16" Band in 300-Series SS
Eight Stainless Steel Belleville Washers

CONSTANT-TORQUE HD

3/8" Plated Hex Screw
5/8" Band in 300-Series SS
Ten Stainless Steel Belleville Washers

CONSTANT-TORQUE HD SS

3/8" 410 Stainless Steel Hex Screw
5/8" Band in 300-Series SS
Ten Stainless Steel Belleville Washers



SAE	CONSTANT-TORQUE AS		inches (A)		mm	
	Brand PN	Global PN	min	max	min	max
10	CT 9410	0362 0302 021	9/16	1-1/16	14	27
12	CT 9412	0362 0302 025	11/16	1-1/4	17	32
16	CT 9416	0362 0302 029	13/16	1-1/2	21	38
20	CT 9420	0362 0302 033	13/16	1-3/4	21	44
24	CT 9424	0362 0302 039	1-1/16	2	27	51
28	CT 9428 B	0362 0302 049	1-5/16	2-1/4	33	57
32	CT 9432 B	0362 0302 052	1-9/16	2-1/2	40	64
36	CT 9436 B	0362 0302 058	1-13/16	2-3/4	46	70
40	CT 9440 B	0362 0302 064	2-1/16	3	52	76
44	CT 9444 B	0362 0302 075	2-5/16	3-1/4	59	83
48	CT 9448 B	0362 0302 077	2-9/16	3-1/2	65	89
52	CT 9452 B	0362 0302 083	2-13/16	3-3/4	71	95

SAE	CONSTANT-TORQUE HD		CONSTANT-TORQUE HD SS		inches (A)		mm	
	Brand PN	Global PN	Brand PN	Global PN	min	max	min	max
28	CT 175 L	0156 0003 035	CT 175 L SS	0156 0005 035	1	1-3/4	25	44
212	CT 200 L	0156 0003 043	CT 200 L SS	0156 0005 043	1-1/4	2-1/8	32	54
262	CT 250 L	0156 0003 056	CT 250 L SS	0156 0005 056	1-3/4	2-5/8	44	67
312	CT 300 L	0156 0003 068	CT 300 L SS	0156 0005 068	2-1/4	3-1/8	57	79
362	CT 350 L	0156 0003 081	CT 350 L SS	0156 0005 081	2-3/4	3-5/8	70	92
412	CT 400 L	0156 0003 094	CT 400 L SS	0156 0005 094	3-1/4	4-1/8	83	105
462	CT 450 L	0156 0003 107	CT 450 L SS	0156 0005 107	3-3/4	4-5/8	95	117
512	CT 500 L	0156 0003 119	CT 500 L SS	0156 0005 119	4-1/4	5-1/8	108	130
562	CT 550 L	0156 0003 132	CT 550 L SS	0156 0005 132	4-3/4	5-5/8	121	143
612	CT 600 L	0156 0003 145	CT 600 L SS	0156 0005 145	5-1/4	6-1/8	133	156
662	CT 650 L	0156 0003 157	CT 650 L SS	0156 0005 157	5-3/4	6-5/8	146	168
712	CT 700 L	0156 0003 170	CT 700 L SS	0156 0005 170	6-1/4	7-1/8	159	181
762	CT 750 L	0156 0003 183	CT 750 L SS	0156 0005 183	6-3/4	7-5/8	171	194
812	CT 800 L	0156 0003 195	CT 800 L SS	0156 0005 195	7-1/4	8-1/8	184	206
862	CT 850 L	0156 0003 208	CT 850 L SS	0156 0005 208	7-3/4	8-5/8	197	219
912	CT 900 L	0156 0003 221	CT 900 L SS	0156 0005 221	8-1/4	9-1/8	210	232

BREEZE Super-Seal

A breakthrough constant tension clamp with dynamic compensation and ultra-secure sealing.



Worm-Drive Closure Mechanism | Two Screw Options | Recommended Torque 90 in.-lbs. ±5 | Diameter Range 1.41" – 4.57"

SUPER-SEAL

Plated 5/16" Hex Screw
.57" 300-Series SS Band
Two-Piece Housing in 304 Stainless Steel

SUPER-SEAL SS

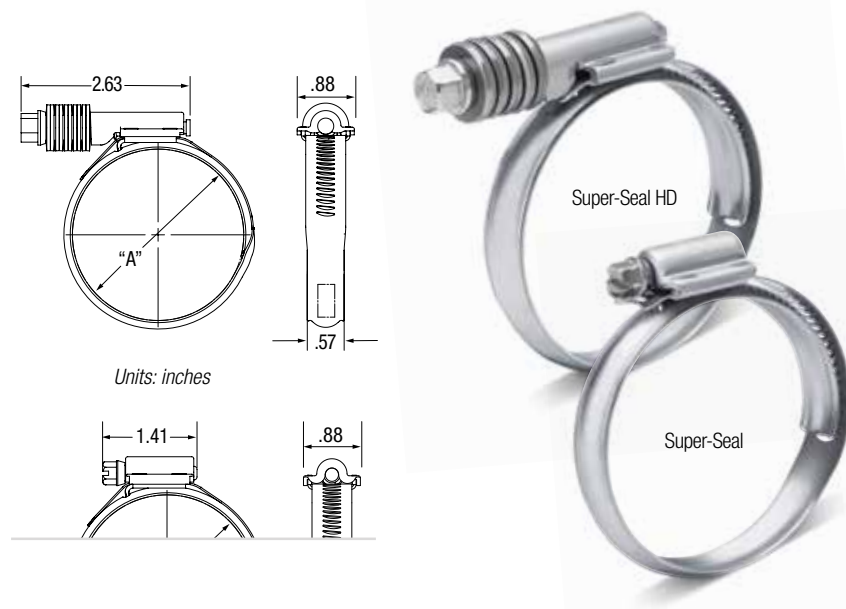
5/16" 410 SS Hex Screw
.57" 300-Series SS Band
Two-Piece Housing in 304 Stainless Steel

SUPER-SEAL HD

Plated 3/8" Hex Screw/Ten Belleville Washers
.57" 300-Series SS Band
Two-Piece Housing in 304 Stainless Steel

SUPER-SEAL HD SS

3/8" 410 SS Hex Screw/Ten Belleville Washers
.57" 300-Series SS Band
Two-Piece Housing in 304 Stainless Steel



BREEZE SUPER-SEAL PART NUMBERS & SPECIFICATIONS

Carbon Steel, Zinc-Plated Hex Screw		AISI Type 410 SS Hex Screw		Inches (A)		Millimeters (A)	
Brand PN	Global PN	Brand PN	Global PN	Min.	Max.	Min.	Max.
SUS 150	0635 0006 038	SUS 150 SS	0635 0004 038	1.41	1.57	36	40
SUS 175	0635 0002 046	SUS 175 SS	0635 0000 046	1.57	2.05	40	52
SUS 225	0635 0002 058	SUS 225 SS	0635 0000 058	2.05	2.56	52	65
SUS 275	0635 0002 071	SUS 275 SS	0635 0000 071	2.56	3.03	65	77
SUS 350	0635 0002 087	SUS 350 SS	0635 0000 087	3.03	3.78	77	96
SUS 425	0635 0002 106	SUS 425 SS	0635 0000 106	3.78	4.57	96	116

BREEZE SUPER-SEAL HEAVY-DUTY PART NUMBERS & SPECIFICATIONS

Carbon Steel, Zinc-Plated Hex Screw		AISI Type 410 SS Hex Screw		Inches (A)		Millimeters (A)	
Brand PN	Global PN	Brand PN	Global PN	Min.	Max.	Min.	Max.
SUS 150 HD	0635 0007 038	0635 0005 038	SUS 150 HD SS	1.41	1.57	36	40
SUS 175 HD	0635 0003 046	0635 0001 046	SUS 175 HD SS	1.57	2.05	40	52
SUS 225 HD	0635 0003 058	0635 0001 058	SUS 225 HD SS	2.05	2.56	52	65
SUS 275 HD	0635 0003 071	0635 0001 071	SUS 275 HD SS	2.56	3.03	65	77
SUS 350 HD	0635 0003 087	0635 0001 087	SUS 350 HD SS	3.03	3.78	77	96
SUS 425 HD	0635 0003 106	0635 0001 106	SUS 425 HD SS	3.78	4.57	96	116

BREEZE T-Bolt

A stainless steel clamp performance-engineered for long-term durability and a wide variety of applications.



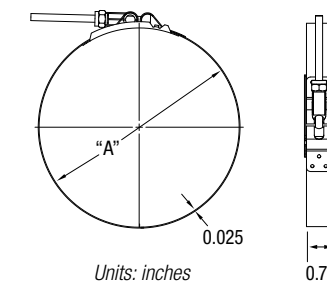
3/4" Band Width | Floating Bridge | SAE Standard J1508 Type TB | Diameter Range 1-1/4" – 8-13/16"

TB

1/4"-28 Plated Bolt
3/4" Band in 300-Series SS
Floating Bridge

TB SS

1/4"-28 300-Series SS Bolt
3/4" Band in 300-Series SS
Floating Bridge



SAE	TB		TB SS		Inches (A)		mm	
	Brand PN	Global PN	Brand PN	Global PN	min	max	min	max
-	TB 125	0363 0000 034	TB 125 SS	0363 0001 034	1-1/4	1-7/16	32	37
-	TB 138	0363 0000 035	TB 138 SS	0363 0001 035	1-3/8	1-9/16	35	40
-	TB 150	0363 0000 038	TB 150 SS	0363 0001 038	1-1/2	1-5/8	38	41
-	TB 163	0363 0000 044	TB 163 SS	0363 0001 041	1-5/8	1-7/8	41	48
28	TB 175	0363 0017 048	TB 175 SS	0363 0018 048	1-3/4	2	44	51
32	TB 188	0363 0017 052	TB 188 SS	0363 0018 052	1-7/8	2-3/16	48	56
36	TB 200	0363 0017 055	TB 200 SS	0363 0018 055	2	2-5/16	51	59
40	TB 213	0363 0017 058	TB 213 SS	0363 0018 058	2-1/8	2-7/16	54	62
44	TB 225	0363 0017 061	TB 225 SS	0363 0018 061	2-1/4	2-9/16	57	65
48	TB 238	0363 0017 064	TB 238 SS	0363 0018 064	2-3/8	2-11/16	60	68
52	TB 250	0363 0017 068	TB 250 SS	0363 0018 068	2-1/2	2-13/16	64	71
56	TB 263	0363 0017 071	TB 263 SS	0363 0018 071	2-5/8	2-15/16	67	75
60	TB 275	0363 0017 074	TB 275 SS	0363 0018 074	2-3/4	3-1/16	70	78
64	TB 288	0363 0017 077	TB 288 SS	0363 0018 077	2-7/8	3-3/16	73	81
68	TB 300	0363 0017 080	TB 300 SS	0363 0018 080	3	3-5/16	76	84
72	TB 313	0363 0017 084	TB 313 SS	0363 0018 084	3-1/8	3-7/16	79	87
76	TB 325	0363 0017 087	TB 325 SS	0363 0018 087	3-1/4	3-9/16	83	90
80	TB 338	0363 0017 090	TB 338 SS	0363 0018 090	3-3/8	3-11/16	86	94
84	TB 350	0363 0017 093	TB 350 SS	0363 0018 093	3-1/2	3-13/16	89	97
88	TB 363	0363 0017 096	TB 363 SS	0363 0018 096	3-5/8	3-15/16	92	100
92	TB 375	0363 0017 099	TB 375 SS	0363 0018 099	3-3/4	4-1/16	95	103
100	TB 400	0363 0017 106	TB 400 SS	0363 0018 106	4	4-5/16	102	110
108	TB 425	0363 0017 112	TB 425 SS	0363 0018 112	4-1/4	4-9/16	108	116
116	TB 450	0363 0017 118	TB 450 SS	0363 0018 118	4-1/2	4-13/16	114	122
124	TB 475	0363 0017 125	TB 475 SS	0363 0018 125	4-3/4	5-1/16	121	129
132	TB 500	0363 0017 131	TB 500 SS	0363 0018 131	5	5-5/16	127	135
140	TB 525	0363 0017 137	TB 525 SS	0363 0018 137	5-1/4	5-9/16	133	141
148	TB 550	0363 0017 144	TB 550 SS	0363 0018 144	5-1/2	5-13/16	140	148
156	TB 575	0363 0017 150	TB 575 SS	0363 0018 150	5-3/4	6-1/16	146	154
164	TB 600	0363 0017 156	TB 600 SS	0363 0018 156	6	6-5/16	152	160
172	TB 625	0363 0017 163	TB 625 SS	0363 0018 163	6-1/4	6-9/16	159	167
180	TB 650	0363 0017 169	TB 650 SS	0363 0018 169	6-1/2	6-13/16	165	173
188	TB 675	0363 0017 175	TB 675 SS	0363 0018 175	6-3/4	7-1/16	171	179
196	TB 700	0363 0017 182	TB 700 SS	0363 0018 182	7	7-5/16	178	186
204	TB 725	0363 0017 188	TB 725 SS	0363 0018 188	7-1/4	7-9/16	184	192
212	TB 750	0363 0017 195	TB 750 SS	0363 0018 195	7-1/2	7-13/16	191	198
220	TB 775	0363 0017 201	TB 775 SS	0363 0018 201	7-3/4	8-1/16	197	205
228	TB 800	0363 0017 207	TB 800 SS	0363 0018 207	8	8-5/16	203	211
236	TB 825	0363 0017 214	TB 825 SS	0363 0018 214	8-1/4	8-9/16	210	217
244	TB 850	0363 0017 220	TB 850 SS	0363 0018 220	8-1/2	8-13/16	216	224

Note: SAE sizes 64 and smaller have a bent bolt.



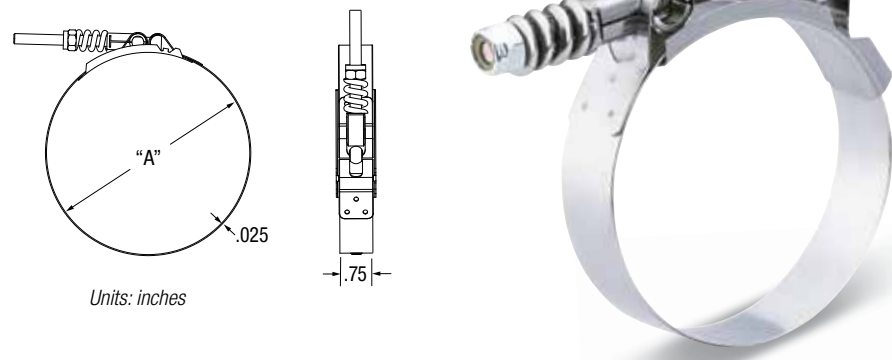
BREEZE Spring-Loaded T-Bolt

A constant-tension clamp with a spring designed for a variety of automotive, industrial, and marine applications.



3/4" Band Width | Floating Bridge | Standard Spring | SAE Standard J1508 Type SLTB | Diameter Range 1-3/4" – 7-13/16"

B9226 SPRING-LOADED T-BOLT
3/4" Band in 300-Series SS
1/4"- 28 Plated Bolt
Standard Spring for Constant-Tension



Units: inches

SAE	B9226 SPRING-LOADED T-BOLT		inches (A)		mm	
	Brand PN	Global PN	min	max	min	max
28	B9226-0175 B	0363 0006 048	1-3/4	2	44	51
36	B9226-0200 B	0363 0006 055	2	2-5/16	51	59
38	B9226-0206	0363 0006 056	2-1/16	2-3/8	52	60
40	B9226-0213 B	0363 0006 058	2-1/8	2-7/16	54	62
44	B9226-0225 B	0363 0006 061	2-1/4	2-9/16	57	65
48	B9226-0238 B	0363 0006 064	2-3/8	2-11/16	60	68
52	B9226-0250 B	0363 0006 068	2-1/2	2-13/16	64	71
54	B9226-0256	0363 0006 069	2-9/16	2-7/8	65	73
56	B9226-0263 B	0363 0006 071	2-5/8	2-15/16	67	75
58	B9226-0269 B	0363 0006 072	2-11/16	3	68	76
60	B9226-0275 B	0363 0006 074	2-3/4	3-1/16	70	78
62	B9226-0281 B	0363 0006 075	2-13/16	3-1/8	71	79
64	B9226-0288 B	0363 0006 077	2-7/8	3-3/16	73	81
66	B9226-0294 B	0363 0006 079	2-15/16	3-1/4	75	83
68	B9226-0300 B	0363 0006 080	3	3-5/16	76	84
70	B9226-0306	0363 0006 082	3-1/16	3-3/8	78	86
72	B9226-0313 B	0363 0006 084	3-1/8	3-7/16	79	87
76	B9226-0325 B	0363 0006 087	3-1/4	3-9/16	83	90
78	B9226-0331 B	0363 0006 088	3-5/16	3-5/8	84	92
80	B9226-0338 B	0363 0006 090	3-3/8	3-9/16	86	94
82	B9226-0344 B	0363 1006 091	3-7/16	3-3/4	87	95
86	B9226-0356	0363 0006 094	3-9/16	3-7/8	90	98
88	B9226-0363 B	0363 0006 096	3-5/8	3-15/16	92	100
90	B9226-0369 B	0363 0006 098	3-11/16	4	94	102
92	B9226-0375 B	0363 0006 099	3-3/4	4-1/16	95	103
96	B9226-0388 B	0363 0006 103	3-7/8	4-3/16	98	106
102	B9226-0406	0363 0006 107	4-1/16	4-3/8	103	111
104	B9226-0413 B	0363 0006 109	4-1/8	4-7/16	105	113

SAE	B9226 SPRING-LOADED T-BOLT		inches (A)		mm	
	Brand PN	Global PN	min	max	min	max
106	B9226-0419 B	0363 0006 110	4-3/16	4-1/2	106	114
108	B9226-0425 B	0363 0006 112	4-1/4	4-9/16	108	116
110	B9226-0431 B	0363 0006 113	4-5/16	4-5/8	110	117
114	B9226-0444 B	0363 0006 117	4-7/16	4-3/4	113	121
116	B9226-0450 B	0363 0006 118	4-1/2	4-13/16	114	122
118	B9226-0456	0363 0006 120	4-9/16	4-7/8	116	124
128	B9226-0488 B	0363 0006 128	4-7/8	5-3/16	124	132
130	B9226-0494 B	0363 0006 130	4-15/16	5-1/4	125	133
132	B9226-0500 B	0363 0006 131	5	5-5/16	127	135
134	B9226-0506 B	0363 1006 133	5-1/16	5-3/8	129	137
140	B9226-0525	0363 0006 137	5-1/4	5-9/16	133	141
142	B9226-0531 B	0363 0006 139	5-5/16	5-5/8	135	143
144	B9226-0538 B	0363 0006 141	5-3/8	5-11/16	137	144
146	B9226-0544 B	0363 0006 142	5-7/16	5-3/4	138	146
148	B9226-0550 B	0363 0006 144	5-1/2	5-13/16	140	148
156	B9226-0575 B	0363 0006 150	5-3/4	6-1/16	146	154
166	B9226-0606	0363 0006 158	6-1/16	6-3/8	154	162
172	B9226-0625	0363 0006 163	6-1/4	6-9/16	159	167
174	B9226-0631 B	0363 0006 164	6-5/16	6-5/8	160	168
176	B9226-0638 B	0363 0006 166	6-3/8	6-11/16	162	170
178	B9226-0644	0363 0006 168	6-7/16	6-3/4	164	171
180	B9226-0650 B	0363 0006 169	6-1/2	6-13/16	165	173
184	B9226-0663 B	0363 0006 172	6-5/8	6-15/16	168	176
196	B9226-0700 B	0363 0006 182	7	7-5/16	178	186
204	B9226-0725 B	0363 0006 188	7-1/4	7-9/16	184	192
208	B9226-0738 B	0363 0000 187	7-3/8	7-11/16	187	195
212	B9226-0750 B	0363 0006 195	7-1/2	7-13/16	191	198

Note: SAE sizes 66 and smaller have a bent bolt.

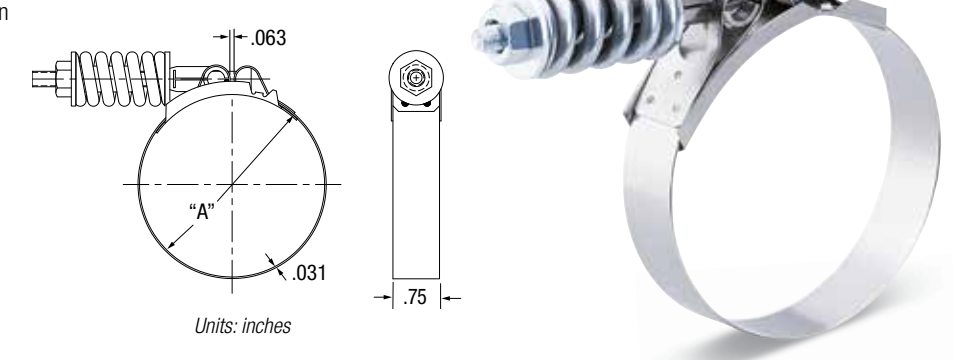
BREEZE HD Spring-Loaded T-Bolt

A constant-tension clamp with a spring designed for a variety of automotive, industrial, and marine applications.



3/4" Band Width | Floating Bridge | Heavy-Duty Spring | SAE Standard J1508 Type SLTB | Diameter Range 2-1/16" – 8-5/8"

B9224 HD SPRING-LOADED T-BOLT
3/4" Band in 300-Series SS
1/4"- 28 Plated Bolt
Heavy-Duty Spring for Constant-Tension



Units: inches

SAE	B9224 HD SPRING-LOADED T-BOLT		inches (A)		mm	
	Brand PN	Global PN	min	max	min	max
38	B9224-0206 B	0363 0004 056	2-1/16	2-3/8	52	60
40	B9224-0213 B	0363 0004 058	2-1/8	2-7/16	54	62
42	B9224-0219 B	0363 0004 060	2-3/16	2-1/2	56	64
44	B9224-0225 B	0363 0004 061	2-1/4	2-9/16	57	65
46	B9224-0231 B	0363 0004 063	2-5/16	2-5/8	59	67
48	B9224-0238 B	0363 0004 064	2-3/8	2-11/16	60	68
50	B9224-0244 B	0363 0004 066	2-7/16	2-3/4	62	70
52	B9224-0250 B	0363 0004 068	2-1/2	2-13/16	64	71
54	B9224-0256 B	0363 0004 069	2-9/16	2-7/8	65	73
56	B9224-0263 B	0363 0004 071	2-5/8	2-15/16	67	75
58	B9224-0269 B	0363 0004 072	2-11/16	3	68	76
60	B9224-0275 B	0363 0004 074	2-3/4	3-1/16	70	78
62	B9224-0281 B	0363 0004 075	2-13/16	3-1/8	71	79
68	B9224-0300 B	0363 0004 080	3	3-5/16	76	84
70	B9224-0306	0363 0004 082	3-1/16	3-3/8	78	86
72	B9224-0313	0363 0004 084	3-1/8	3-7/16	79	87
74	B9224-0319 B	0363 0004 085	3-3/16	3-1/2	81	89
76	B9224-0325 B	0363 0003 083	3-1/4	3-9/16	83	90
78	B9224-0331 B	0363 0004 088	3-5/16	3-5/8	84	92
80	B9224-0338	0363 0004 090	3-3/8	3-11/16	86	94
82	B9224-0344	0363 0204 091	3-7/16	3-3/4	87	95
84	B9224-0350 B	0363 0004 093	3-1/2	3-13/16	89	97
86	B9224-0356	0363 0004 094	3-9/16	3-7/8	90	98
88	B9224-0363	0363 0004 096	3-5/8	3-15/16	92	100
90	B9224-0369 B	0363 0004 098	3-11/16	4	94	102

SAE	B9224 HD SPRING-LOADED T-BOLT		inches (A)		mm	
	Brand PN	Global PN	min	max	min	max
92	B9224-0375 B	0363 0004 099	3-3/4	4-1/16	95	103
94	B9224-0381 B	0375 0000 097	3-13/16	4-1/8	97	105
96	B9224-0388	0363 0004 103	3-7/8	4-3/16	98	106
102	B9224-0406	0363 0004 107	4-1/16	4-3/8	103	111
104	B9224-0413	0363 0004 109	4-1/8	4-7/16	105	113
106	B9224-0419 B	0363 0004 110	4-3/16	4-1/2	106	114
108	B9224-0425 B	0363 0004 112	4-1/4	4-9/16	108	116
110	B9224-0431 B	0363 0004 113	4-5/16	4-5/8	110	117
112	B9224-0438	0363 0004 115	4-3/8	4-11/16	111	119
116	B9224-0450 B	0363 0004 118	4-1/2	4-13/16	114	122
118	B9224-0456	0363 0004 120	4-9/16	4-7/8	116	124
128	B9224-0488 B	0363 0004 128	4-7/8	5-3/16	124	132
132	B9224-0500 B	0363 0004 131	5	5-5/16	127	135
140	B9224-0525 B	0363 0004 137	5-1/4	5-9/16	133	141
142	B9224-0531 B	0363 0000 135	5-5/16	5-5/8	135	143
144	B9224-0538 B	0363 0004 141	5-3/8	5-11/16	137	144
158	B9224-0581 B	0363 0000 148	5-13/16	6-1/8	148	156
164	B9224-0600 B	0363 0004 156	6	6-5/16	152	160
172	B9224-0625	0363 0004 163	6-1/4	6-9/16	159	167
174	B9224-0631 B	0363 0000 160	6-5/16	6-5/8	160	168
176	B9224-0638	0363 0004 166	6-3/8	6-11/16	162	170
204	B9224-0725 B	0363 0004 188	7-1/4	7-9/16	184	192
206	B9224-0731 B	0363 0000 186	7-5/16	7-5/8	186	194
212	B9224-0750 B	0363 0004 195	7-1/2	7-13/16	191	198
238	B9224-0831 B	0363 0000 211	8-5/16	8-5/8	211	219

Note: SAE sizes 66 and smaller have a bent bolt.



BREEZE V-Band

V-Band clamps provide fast, secure high-strength coupling to connect flanged joints.



40-Degree Insert Angle | **Welded Band Construction** | **Nominal Diameter Range 2.11" – 14"**

T-BOLT V-BAND

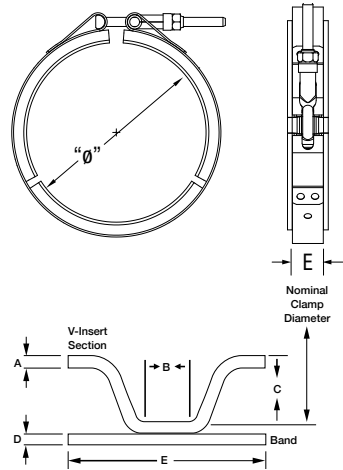
- 400-Series SS Bolt
- 300-Series SS Band
- 300-Series SS Insert

AERO-SEAL V-BAND

- 400-Series SS Thumb Wing Screw
- 9/16" 300-Series SS Band
- 300-Series SS Insert

QUICK-LATCH V-BAND

- 400-Series SS Bolt
- 300-Series SS Band
- 300-Series SS Insert

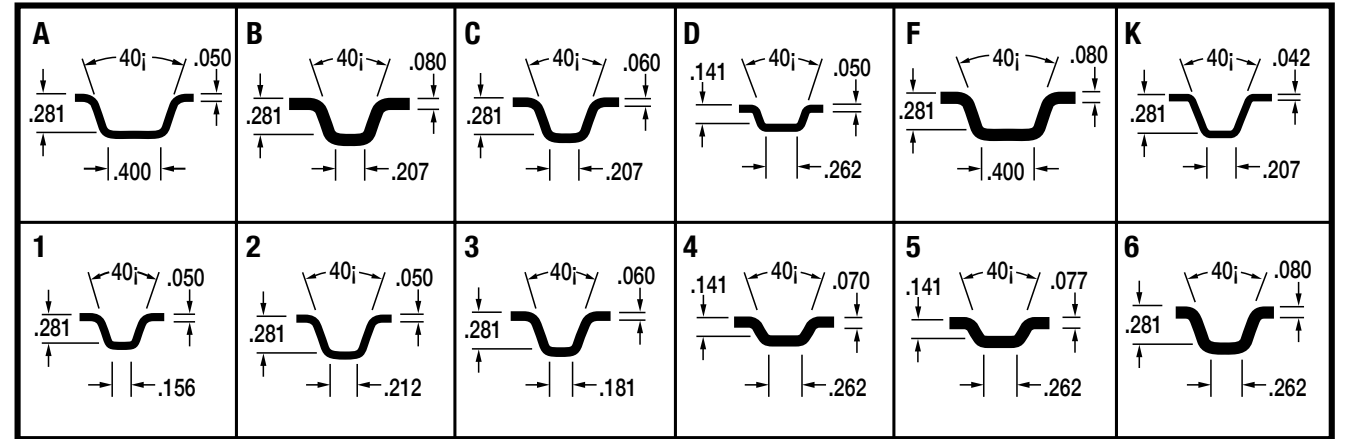


T-BOLT V-BAND		Nominal Diameter (Ø)		Insert Thickness (A)		Insert Apex Width (B)		Insert Depth (C)		Band Thickness (D)		Band Width (E)	
Brand PN	Global PN	in	mm	in	mm	in	mm	in	mm	in	mm	in	mm
VT10288	0365 1600 724	2.88	73.2	0.060	1.52	0.207	5.26	0.281	7.14	0.035	0.89	0.750	19.05
VT10321	0365 0431 082	3.21	81.5	0.050	1.27	0.262	6.65	0.141	3.58	0.035	0.89	0.750	19.05
VT10350	0365 1680 889	3.50	88.9	0.080	2.03	0.207	5.26	0.281	7.14	0.040	1.02	0.875	22.23
VT10382	0365 0431 097	3.82	97.0	0.077	1.96	0.207	5.26	0.281	7.14	0.040	1.02	0.875	22.23
VT10388	0365 0431 099	3.88	98.6	0.050	1.27	0.400	10.16	0.281	7.14	0.040	1.02	0.875	22.23
VT10406	0365 0431 103	4.06	103.1	0.077	1.96	0.239	6.07	0.281	7.14	0.050	1.27	0.875	22.23
VT10413	0365 0431 105	4.13	104.9	0.050	1.27	0.262	6.65	0.141	3.58	0.035	0.89	0.750	19.05
VT10419	0365 0402 106	4.19	106.4	0.050	1.27	0.400	10.16	0.281	7.14	0.040	1.02	0.875	22.23
VT10425	0365 3402 108	4.25	108.0	0.050	1.27	0.400	10.16	0.281	7.14	0.040	1.02	0.875	22.23
VT10450	0365 1601 143	4.50	114.3	0.050	1.27	0.262	6.65	0.141	3.58	0.035	0.89	0.750	19.05
VT10450-A	0365 0431 114	4.50	114.3	0.077	1.96	0.207	5.26	0.281	7.14	0.040	1.02	0.875	22.23
VT10461	0365 0431 117	4.61	117.1	0.050	1.27	0.156	3.96	0.218	5.54	0.035	0.89	0.750	19.05
VT10469	0365 0431 119	4.69	119.1	0.050	1.27	0.400	10.16	0.281	7.14	0.040	1.02	0.875	22.23
VT10475	0365 0431 121	4.75	120.7	0.050	1.27	0.400	10.16	0.281	7.14	0.040	1.02	0.875	22.23
VT10475-A	0365 0434 121	4.75	120.7	0.077	1.96	0.158	4.01	0.310	7.87	0.040	1.02	0.875	22.23
VT10481	0365 0431 122	4.81	122.2	0.077	1.96	0.207	5.26	0.281	7.14	0.040	1.02	0.875	22.23
VT10491	0365 1681 247	4.91	124.7	0.040	1.02	0.293	7.44	0.296	7.52	0.050	1.27	0.875	22.23
VT10494	0365 0431 125	4.94	125.5	0.060	1.52	0.181	4.60	0.281	7.14	0.035	0.89	0.750	19.05
VT10510	0365 1681 295	5.10	129.5	0.050	1.27	0.262	6.65	0.141	3.58	0.035	0.89	0.750	19.05
VT10525	0365 0431 133	5.25	133.4	0.050	1.27	0.262	6.65	0.141	3.58	0.035	0.89	0.750	19.05
VT10530	0365 1681 346	5.30	134.6	0.050	1.27	0.262	6.65	0.141	3.58	0.035	0.89	0.750	19.05
VT10565	0365 1681 435	5.65	143.5	0.050	1.27	0.262	6.65	0.141	3.58	0.035	0.89	0.750	19.05
VT10581	0365 1681 476	5.81	147.6	0.077	1.96	0.207	5.26	0.281	7.14	0.062	1.57	0.875	22.23
VT10588	0365 1681 494	5.88	149.4	0.050	1.27	0.400	10.16	0.281	7.14	0.040	1.02	0.875	22.23
VT10588-1	0365 1601 494	5.88	149.4	0.050	1.27	0.400	10.16	0.281	7.14	-	-	-	-
VT10592	0365 0431 150	5.92	150.4	0.090	2.29	0.293	7.44	0.296	7.52	0.050	1.27	0.875	22.23
VT10688	0365 1681 748	6.88	174.8	0.060	1.52	0.400	10.16	0.281	7.14	0.040	1.02	0.875	22.23
VT10808	0365 1682 052	8.08	205.2	0.050	1.27	0.262	6.65	0.141	3.58	0.035	0.89	0.750	19.05
VT11100B03-4HG B	0373 0000 279	11.00	279.4	0.080	2.03	0.207	5.26	0.281	7.14	0.050	1.27	0.875	22.23
VT11200B03-4HG B	0373 0002 305	12.00	304.8	0.080	2.03	0.207	5.26	0.281	7.14	0.050	1.27	0.875	22.23
VT11400B03-4HG B	0373 0001 356	14.00	355.6	0.080	2.03	0.207	5.26	0.281	7.14	0.050	1.27	0.875	22.23

AERO-SEAL V-BAND		Nominal Diameter (Ø)		Insert Thickness (A)		Insert Apex Width (B)		Insert Depth (C)		Band Thickness (D)		Band Width (E)	
Brand PN	Global PN	in	mm	in	mm	in	mm	in	mm	in	mm	in	mm
VA10211D03-3A B	0365 0201 054	2.11	53.6	0.050	1.27	0.262	6.65	0.141	3.58	0.023	0.58	0.564	14.33
VA10264D03-3A B	0365 0201 067	2.64	67.1	0.050	1.27	0.262	6.65	0.141	3.58	0.023	0.58	0.564	14.33
VA10317D03-3A B	0365 0201 081	3.17	80.6	0.050	1.27	0.262	6.65	0.141	3.58	0.023	0.58	0.564	14.33
VA10370D03-3A B	0365 0201 094	3.70	94.1	0.050	1.27	0.262	6.65	0.141	3.58	0.023	0.58	0.564	14.33
VA10485D03-3A B	0365 0201 123	4.85	123.2	0.050	1.27	0.262	6.65	0.141	3.58	0.023	0.58	0.564	14.33

QUICK-LATCH V-BAND		Nominal Diameter (Ø)		Insert Thickness (A)		Insert Apex Width (B)		Insert Depth (C)		Band Thickness (D)		Band Width (E)	
Brand PN	Global PN	in	mm	in	mm	in	mm	in	mm	in	mm	in	mm
90-0011	0365 0101 081	3.18	80.8	0.060	1.52	0.207	5.26	0.281	7.14	0.040	1.02	0.750	19.05
90-0014	0365 0100 095	3.73	94.7	0.120	3.00	0.400	10.16	0.281	7.14	0.050	1.30	0.875	22.23
90-0012	0365 0100 121	4.75	120.7	0.050	1.27	0.400	10.16	0.281	7.14	0.040	1.02	0.750	19.05
90-0013	0365 0100 149	5.88	149.4	0.050	1.27	0.400	10.16	0.281	7.14	0.040	1.02	0.750	19.05

Standard V-Band Segment Options



Note: V-Band profiles shown above represent the most commonly used segment configurations.

Typical V-Band Applications

- | Turbocharger Connections
- | Diaphragm Pumps
- | Diesel Exhaust
- | Pool/Spa Filters and Pumps
- | Food Processing/Dairy Equipment



Merchandising Display Racks

These durable display racks complement and accommodate BREEZE brand clamps as versatile counter top or hanging displays. Available with a variety of product assortment options to meet your needs.

6000 EMPTY RACK and Assortments

Full Diameter Coverage | Less Shelf Space | Mounting Versatility | Sturdy Construction | 22"W x 23"H x 8"D

6000 EMPTY RACK HD PN 1047 0000 138	
Description	QTY
6000 EMPTY RACK HD	1

62420 ASSORTMENT WL PN 0361 0016 000	
Description	QTY
6000 EMPTY RACK	1
3704 CC Mini	60
3706 CC Mini	60
62006H CC Power-Seal	30
62008H CC Power-Seal	30
62010H CC Power-Seal	70
62012H CC Power-Seal	70
62016H CC Power-Seal	40
62020H CC Power-Seal	20
62024H CC Power-Seal	10
62028H CC Power-Seal	10
62032H CC Power-Seal	10
62036H CC Power-Seal	10

62440 ASSORTMENT PN 0361 0008 000	
Description	QTY
6000 EMPTY RACK	1
3504 Mini	60
3506 Mini	20
4000 Make-A-Clamp	5
62006H Power-Seal	20
62008H Power-Seal	20
62010H Power-Seal	60
62012H Power-Seal	60
62016H Power-Seal	50
62020H Power-Seal	50
62024H Power-Seal	50
62028H Power-Seal	10
62032H Power-Seal	10
62036H Power-Seal	10
HP 2 B Hi-Torque	5
HP 3 B Hi-Torque	5
HP 4 B Hi-Torque	5



6130 ASSORTMENT HD PN 0361 0005 000		
Description	Applications	QTY
6000 EMPTY RACK		1
CT 9410 Constant-Torque AS	Heater Hose 1/2 – 5/8	10
CT 9412 Constant-Torque AS	Heater Hose 3/4	10
CT 9416 Constant-Torque AS	Coolant 7/8 – 1	10
CT 9420 Constant-Torque AS	Coolant 1-1/8 – 1-1/4	10
CT 9424 Constant-Torque AS	Coolant 1-3/8 – 1-1/2	10
CT 250 L SS Constant-Torque HD	Coolant 1-3/4 – 2-1/8	10
CT 300 L SS Constant-Torque HD	Coolant 2-1/4 – 2-5/8	10
CT 350 L SS Constant-Torque HD	Coolant 2-3/4-3	10
HP 3 Hi-Torque	Air Intake 2-1/4 – 3-1/2	10
HP 4 Hi-Torque	Air Intake 4 – 5-1/2	10
HP 5 Hi-Torque	Air Intake 6 – 8	10
B9226-0406 Spring-Loaded T-Bolt	4" Charge-Air Cooling	10
B9224-0406 HD Spring-Loaded T-Bolt	Air-to-Air Aftercooling	10



So Much More than Just a Box!

BREEZE brand merchandise carries a powerful marketing message in its packaging. Professional product photography is incorporated into a dynamic design that also has descriptive copy in three languages to communicate the product benefits to the widest possible audience. It is an eye-catching sales tool that works wherever it is displayed. When used in conjunction with our product racks, the handsome merchandising sets our products apart – and helps boost your sales!

6100 EMPTY RACK and Assortments

Full Diameter Coverage | Less Shelf Space | Two Assortment Options | Sturdy Construction | 14"W x 18"H x 8"D

6100 EMPTY RACK HD PN 1047 0000 140	
Description	QTY
6100 EMPTY RACK	1

9150 ASSORTMENT HD PN 0361 0004 000	
Description	QTY
6100 EMPTY RACK	1
9210H Liner	20
9212H Liner	20
9216H Liner	10
9220H Liner	20
9224H Liner	20
9228H Liner	10
9232H Liner	10
9236H Liner	10
9240H Liner	10
9244H Liner	20

6300 ASSORTMENT PN 0361 0006 000	
Description	QTY
6100 EMPTY RACK	1
3504 Mini	60
3506 Mini	60
62010H Power-Seal	50
62012H Power-Seal	50
62020H Power-Seal	20
62024H Power-Seal	20
62028H Power-Seal	20
62032H Power-Seal	10
62036H Power-Seal	10



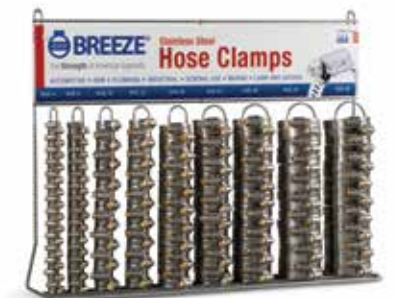
6200 EMPTY RACK and Assortments

Full Diameter Coverage | Less Shelf Space | Mounting Versatility | Sturdy Construction | 22"W x 17"H x 6"D

6200 EMPTY RACK PN 1047 0000 134	
Description	QTY
6200 EMPTY RACK	1

6210 ASSORTMENT PN 0361 0001 000	
Description	QTY
6200 EMPTY RACK	1
3504 Mini	30
3506 Mini	30
62010H Power-Seal	20
62012H Power-Seal	20
62020H Power-Seal	20
62024H Power-Seal	20
62028H Power-Seal	20
62032H Power-Seal	20
62036H Power-Seal	20

6210 ASSORTMENT OR PN 0361 0015 000	
Description	QTY
6200 EMPTY RACK	1
3604 CC Mini	30
3606 CC Mini	30
64010H CC Power-Seal	20
64012H CC Power-Seal	20
64020H CC Power-Seal	20
64024H CC Power-Seal	20
64028H CC Power-Seal	20
64032H CC Power-Seal	20
64036H CC Power-Seal	20



62300 ASST CC PN 0361 0012 000	
Description	QTY
6200 EMPTY RACK	1
3504 CC Mini	60
3506 CC Mini	60
62010H CC Power-Seal	50
62012H CC Power-Seal	50
62020H CC Power-Seal	40
62028H CC Power-Seal	20
62036H CC Power-Seal	20

Product Portfolio Quick Reference



AccuSeal®

- | 1-1/4" Band Width
- | Diameter Range 1-3/4" – 7"
- | Aluminized, 409 & 430 Stainless Steels
- | Slotted Lap Style Joint Connection

Page 36



Coupler

- | Multiple Band Widths
- | Diameter Ranges 1-3/4" – 13-9/16"
- | 409 & 441 Stainless Steels
- | Butt Style Joint Connection

Page 39



SEC (Swivel Exhaust Clamp)

- | 1-1/4" Band Width
- | Diameter Range 2" – 3-1/2"
- | 304 Stainless Steel
- | Angle Adjustable up to 6°
- | Ball & Flare Style Joint Connection

Page 42



EasySeal®

- | 3" Band Width
- | Diameter Range 2" – 8"
- | 304 Stainless Steel Band
- | Lap & Butt Style Joint Connections

Page 46



AccuSeal® w/Sleeve

- | 1-7/16" Band Width
- | Diameter Range 2-1/2" – 5"
- | 304 Stainless Steel Band
- | Slotted Lap Style Joint Connection

Page 37



DPF Coupler 55 Wide

- | Multiple Band Widths
- | Diameter Ranges 10-9/16" – 13-9/16"
- | 409 & 441 Stainless Steels
- | Butt Style Joint Connections

Page 40



TorcTite® with Butt Style Joint

- | 3-7/16" Band Width
- | Diameter Range 2" – 6"
- | Aluminized & 304 Stainless Steel
- | Pre-Assembled

Page 43



U-Bolt

- | 3/8" Bolt
- | Diameter Range 1-1/2" – 6"
- | Carbon or Zinc-Plated Steels
- | Lap Style Joint Connection

Page 47



DuraSeal®

- | 1-1/4" Band Width
- | Diameter Range 2" – 5"
- | 304 & 409 Stainless Steel
- | Slotted Lap Style Joint Connection

Page 38



Euro Coupler

- | Durable Lightweight Design
- | Diameter Range 1-3/4" – 2-9/16"
- | 304, 409 & 441 Stainless Steels
- | Butt Style Joint Connection

Page 41



TorcTite® with Lap Style Joint

- | 3-7/16" Band Width
- | Diameter Range 2" – 6"
- | Aluminized & 304 Stainless Steel
- | Available with Gasket

Page 44-45



Application-Specific Products

- | AccuLock & UniStrap
- | Custom Designed
- | High-Strength/Low-Weight Construction

Page 47

AccuSeal®

Durable sealing performance for slotted overlap joint automotive exhaust systems.



For Slotted Lap Style Joint Connection | Superior Clamp Load Capacity | Reaction Block Technology | Diameter Range 1-3/4" – 7"

AF ACCUSEAL

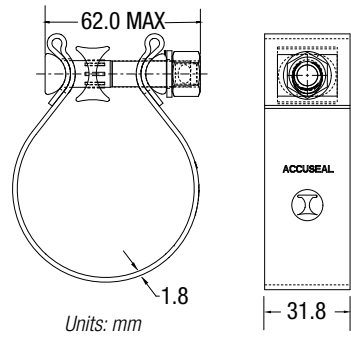
Aluminized Steel
Corrosion-Resistant Hardware

SF ACCUSEAL

409 Stainless Steel
Corrosion-Resistant Hardware

BF ACCUSEAL

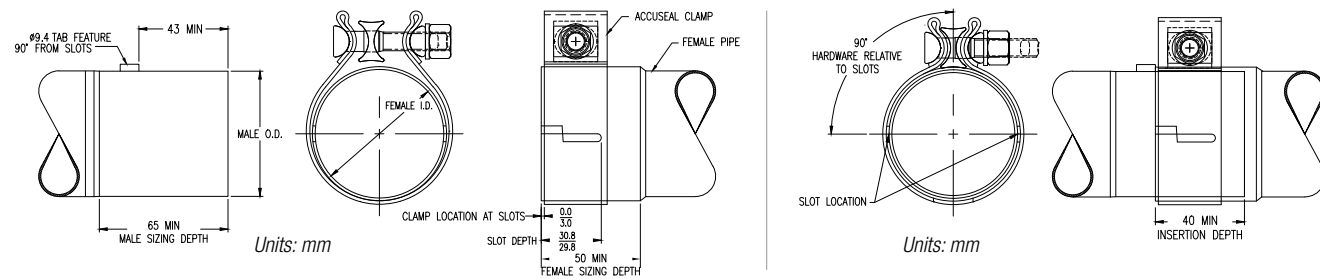
430 Stainless Steel
Corrosion-Resistant Hardware



AF ACCUSEAL		SF ACCUSEAL		BF ACCUSEAL		Nominal Joint Diameter	
Brand PN	Global PN	Brand PN	Global PN	Brand PN	Global PN	inches	mm
A17AF	0366 0050 500	A17SF	0366 0050 499	A17BF	0366 0080 500	1-3/4	44.5
A20AF	0366 0060 564	A20SF	0366 0040 564	A20BF	0366 0000 564	2	50.8
A22AF	0366 0020 627	A22SF	0366 0080 627	A22BF	0366 0060 627	2-1/4	57.2
A25AF	0366 0030 691	A25SF	0366 1200 691	A25BF	0366 0000 691	2-1/2	63.5
A27AF	0366 0020 754	A27SF	0366 0070 754	A27BF	0366 0050 754	2-3/4	69.9
A30AF	0366 0070 818	A30SF	0366 0030 818	A30BF	0366 1200 818	3	76.2
A35AF	0366 0060 949	A35SF	0366 0000 949	A35BF	0366 0020 949	3-1/2	88.9
A40AF	0366 0071 072	A40SF	0366 1241 072	A40BF	0366 1221 072	4	101.6
A45AF	0366 0021 199	A45SF	0366 0001 188	A45BF	0366 0011 199	4-1/2	114.3
A50AF	0366 0061 326	A50SF	0366 1211 326	A50BF	0366 0021 326	5	127.0
A60AF	0366 0041 580	A60SF	0366 0061 580	A60BF	0366 0021 580	6	152.4
A70AF	0366 0021 841	-	-	A70BF	0366 0031 841	7	177.8

Note: AccuSeal® connections require 'sized' and slotted pipe. Torca recommends the Torca Seal-Slot design (see below).
Note: Additional sizes are available to meet specific application requirements.

Torca Seal-Slot Lap Style Joint Connection



AccuSeal® with Sleeve

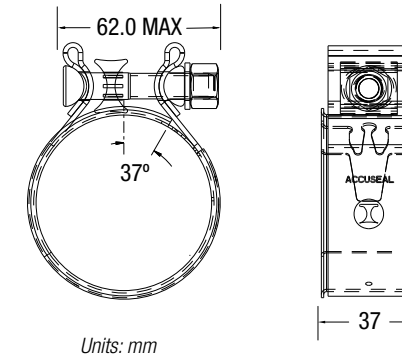
High-quality exhaust clamp with protective sleeve; clamp and sleeve are both stainless steel.



For Slotted Lap Style Joint Connection | Protective Sleeve Prevents Thin-Walled Pipe From Damage | Reaction Block Technology | Diameter Range 2-1/2" – 5"

304 ACCUSEAL W/SLEEVE

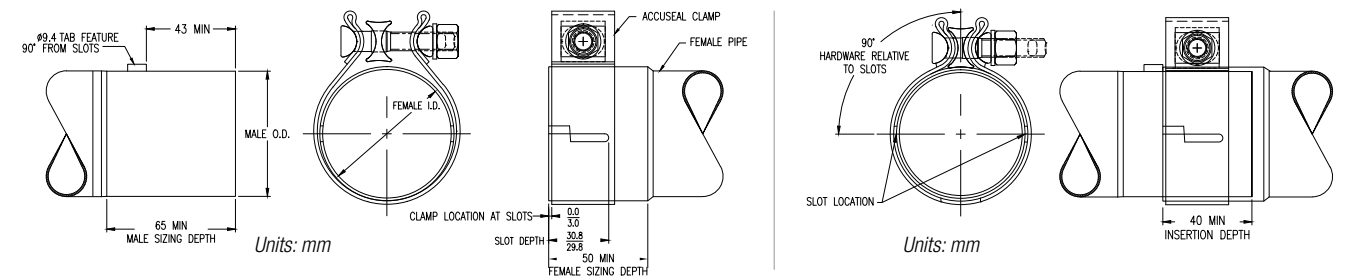
304 Stainless Steel
Corrosion-Resistant Hardware



304 ACCUSEAL W/SLEEVE		Band Material	Sleeve Material	Nominal Joint Diameter	
Brand PN	Global PN			inches	mm
18-0005	0366 0010 673	304 Stainless Steel	304 Stainless Steel	2-1/2	63.5
18-0007	0366 0010 800	304 Stainless Steel	304 Stainless Steel	3	76.2
18-0008	0366 0010 927	304 Stainless Steel	304 Stainless Steel	3-1/2	88.9
18-0009	0366 0011 054	304 Stainless Steel	304 Stainless Steel	4	101.6
18-0010	0366 0001 308	304 Stainless Steel	304 Stainless Steel	5	127.0

Note: AccuSeal® connections require 'sized' and slotted pipe. Torca recommends the Torca Seal-Slot design (see below).
Note: Additional sizes are available to meet specific application requirements.

Torca Seal-Slot Lap Style Joint Connection



DuraSeal®

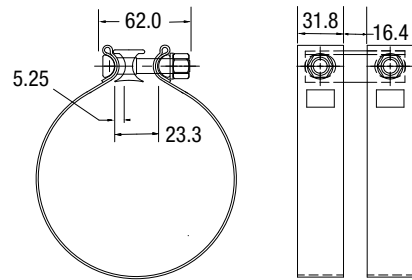
Clamp for thicker exhaust pipes or large pipe gap applications.



For Lap Style Joint Connections | Reaction Block Technology | One Torque Point | Pre-Assembled For Easy Installation | Diameter Range 2" – 5"

HEX SCREW DURASEAL

Hex Screw
409 SS Band



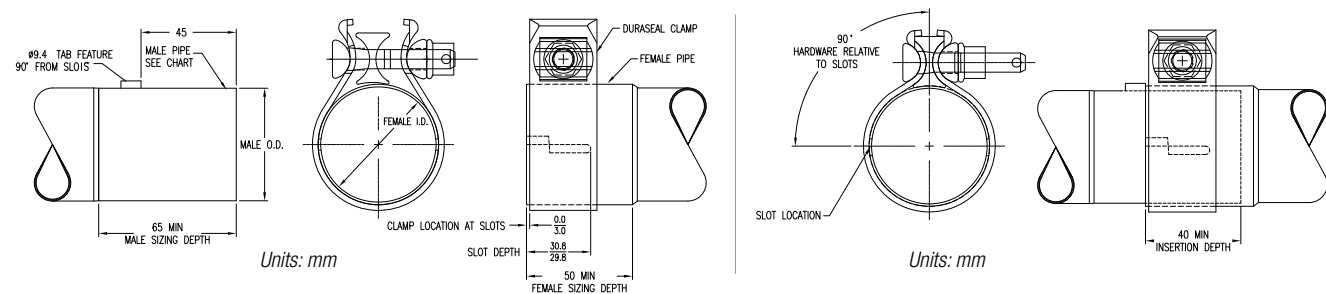
Units: mm



HEX SCREW DURASEAL		Band Material	Nominal Joint Diameter	
Brand PN	Global PN		inches	mm
94-0051	0371 0001 056	409 Stainless Steel	2	50.8
94-0052	0371 0001 062	409 Stainless Steel	2-1/4	57.2
94-0053	0371 0003 068	409 Stainless Steel	2-1/2	63.5
94-0054	0371 0003 075	409 Stainless Steel	2-3/4	69.85
94-0055	0371 0004 081	409 Stainless Steel	3	76.2
94-0056	0371 0000 093	409 Stainless Steel	3-1/2	88.9
94-0057	0371 0001 107	409 Stainless Steel	4	101.6
94-0050	0371 0000 132	409 Stainless Steel	5	127.0

Note: DuraSeal® connections require 'sized' and slotted pipe. Torca recommends the Torca Seal-Slot design (see below).
Note: Additional sizes are available to meet specific application requirements.

Torca Seal-Slot Lap Style Joint Connection



Units: mm

Units: mm

Coupler

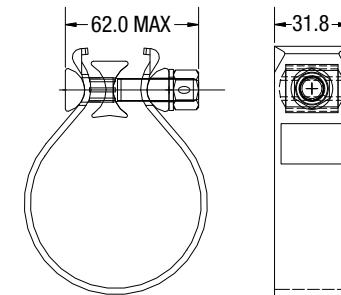
Pre-assembled sealing performance and superior clamp load capacity without pipe overlap.



For Butt Style Joint Connections | 15mm Max Gap Allows 33.5–44mm Insertions per Pipe | Diameter Range 1-3/4 – 3-1/2"

409 COUPLER

All 409 Stainless Steel
9/16" Fastener Drive
3-7/16" Band Width
Diameter Range 1-3/4" – 3-1/2"



Units: mm



409 COUPLER		Nominal Joint Diameter (Pipe O.D.)	
Brand PN	Global PN	inches	mm
96-0125	0367 0000 058	2-1/4	57
96-0115	0367 0001 064	2-1/2	63
96-0159	0367 0000 070	2-3/4	69
96-0131	0367 0002 076	3	76
96-0158	0367 0001 089	3-1/2	90

DPF Coupler 55 Wide

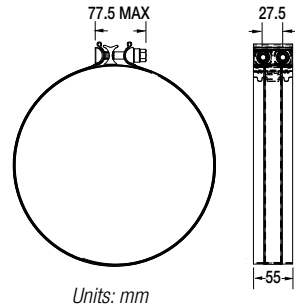
Large Diameter Diesel Particulate Filter (DPF) clamp creates a reliable joint seal between separate sections of DPF.



For Butt Style Joint Connections | Tall Hardware for Socket Clearance | Low Profile for Tight Packaging Space | Diameter Ranges 10-9/16" – 13-9/16"

DPF COUPLER 55 WIDE

409 and 441 Stainless Steel
10mm Max Gap Allows 22.5-27.5mm Insertions
Gasket Available for Lowest Leak Rate



DPF COUPLER 55 WIDE		Material	Gasket	Nominal Joint Diameter (Pipe O.D.)	
Brand PN	Global PN			inches	mm
96-0239	0367 0000 269	409 SS	Yes	10-9/16	267.6
-	0367 0000 301	441 SS	No	11-13/16	300.75
96-0261	0367 0000 345	441 SS	No	13-9/16	345.2

Euro Coupler

Joins exhaust system components without the need for slotting.



For Butt Style Joint Connections | 10mm Max Gap Allows 39-44mm Insertions per Pipe | Diameter Range 1-3/4" – 2-9/16"

409 EURO COUPLER

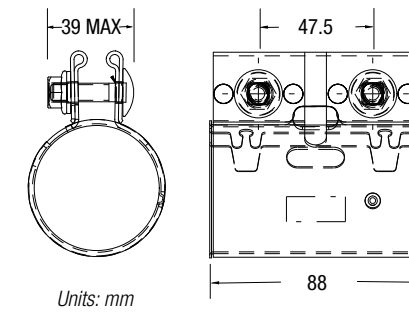
409 Stainless Steel
Corrosion-Resistant Hardware

304 EURO COUPLER

304 Stainless Steel
Corrosion-Resistant Hardware

441 EURO COUPLER

441 Stainless Steel
Corrosion-Resistant Hardware



409 EURO COUPLER	Nominal Joint Diameter (Pipe O.D.)	
Global PN	inches	mm
0367 6203 045	1-3/4	45
0367 6203 050	1-15/16	50
0367 6203 055	2-3/16	55
0367 6203 060	2-3/8	60
0367 6203 065	2-9/16	65

304 EURO COUPLER	Nominal Joint Diameter (Pipe O.D.)	
Global PN	inches	mm
0367 6202 045	1-3/4	45
0367 6202 050	1-15/16	50
0367 6202 055	2-3/16	55
0367 6202 060	2-3/8	60
0367 6202 065	2-9/16	65

441 EURO COUPLER	Nominal Joint Diameter (Pipe O.D.)	
Global PN	inches	mm
0367 6201 045	1-3/4	45
0367 6201 050	1-15/16	50
0367 6201 055	2-3/16	55
0367 6201 060	2-3/8	60
0367 6201 065	2-9/16	65

Note: Additional sizes are available to meet specific application requirements.

SEC (Swivel Exhaust Clamp)

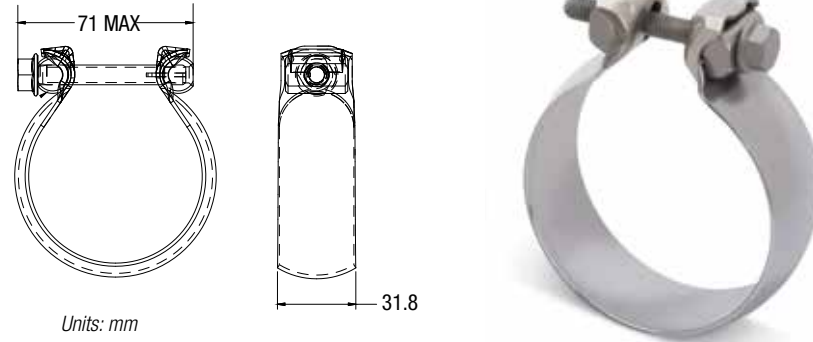
Durable exhaust coupling that allows joint serviceability while providing high clamp-load capability.



Angle Adjustable up to 6 Degrees | Low-Weight and Low Leakage Rate | Higher Torsion than Conventional Ball-Shaped Flange Connections

SEC*
Hex-Head Screw with Integrated Washer
All 304 Stainless Steel
Solid Chromium-Free Trunnion Hardware

SEC KIT
One 8" Pipe with Stepped Ball end
One 8" Pipe with mating Flare end
SEC in 304 Stainless Steel



Units: mm

SEC* (SWIVEL EXHAUST CLAMP)		Nominal Joint Diameter	
Brand PN	Global PN	inches	mm
93-0098	0595 8084 055	2	55
93-0099	0595 8084 060	2-1/4	60
93-0100	0595 8084 065	2-1/2	65
93-0101	0595 8084 070	2-3/4	70
-	0595 8081 075	3	75
93-0097	0595 8902 090	3-1/2	90

*Clamp requires special formed ball and flare pipe ends.

Note: Additional sizes are available to meet specific application requirements.

SEC (SWIVEL EXHAUST CLAMP) KIT	Nominal Joint Diameter	
	inches	mm
Global PN		
0595 7000 065	2-1/2	65
0595 7000 070	2-3/4	70



TorcTite® with Butt Style Joint

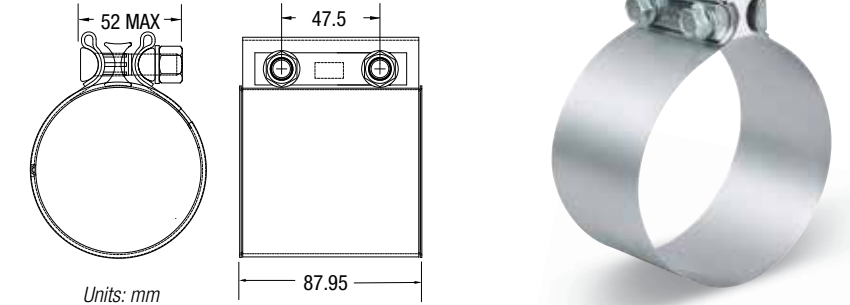
Durable clamping performance for pipes, flex, and mufflers.



Superior Clamp Load Capacity | Pre-Assembled | Butt Style Joint | Aluminized and 304 Stainless Steels | Diameter Range 2" – 6"

TORCTITE ALUMINIZED BUTT STYLE JOINT
Joint Available with Gasket
Aluminized Steel Pre-Formed Band with Step
High-Strength Plated Fasteners

TORCTITE 304 SS BUTT STYLE JOINT
Reaction Block Technology
304 Stainless Steel Pre-Formed Band with Step
High-Strength Plated Fasteners



Units: mm

TORCTITE ALUMINIZED BUTT STYLE JOINT		Nominal Joint Diameter	
Brand PN	Global PN	inches	mm
B20AA	0368 0305 051	2	50.8
B25AA	0368 0305 064	2-1/2	63.5
B27AA	0368 0300 069	2-3/4	69.9
B30AA	0368 0305 076	3	76.2
B35AA	0368 0304 076	3-1/2	88.9
B40AA	0368 0307 102	4	101.6
B45AA	0368 0301 114	4-1/2	114.3
B50AA	0368 0307 127	5	127.0
B60AA	0368 0301 152	6	152.4

TORCTITE 304 SS BUTT STYLE JOINT		Nominal Joint Diameter	
Brand PN	Global PN	inches	mm
B20SA	0368 0300 051	2	50.8
B22SA	0368 0300 057	2-1/4	57.2
B25SA	0368 0302 064	2-1/2	63.5
B27SA	0368 0302 070	2-3/4	69.9
B30SA	0368 0301 076	3	76.2
B35SA	0368 0302 089	3-1/2	88.9
B40SA	0368 0303 102	4	101.6
B45SA	0368 0304 114	4-1/2	114.3
B50SA	0368 0304 127	5	127.0
B60SA	0368 0304 152	6	152.4

Note: Additional sizes are available to meet specific application requirements.

TorcTite® with Lap Style Joint

Durable clamping performance for pipes, flex and mufflers.



Superior Clamp Load Capacity | Pre-Assembled | Lap Style Joint | Aluminized and 304 Stainless Steels | Diameter Range 2" – 6"

TORCTITE ALUMINIZED LAP STYLE JOINT

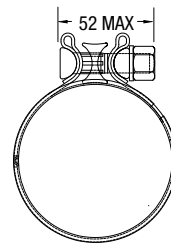
Aluminized Steel Pre-Formed Band with Step
High-Strength Plated Fasteners

TORCTITE 304 SS LAP STYLE JOINT

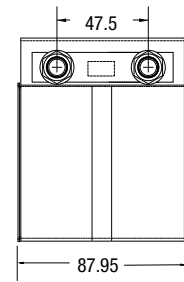
304 Stainless Steel Pre-Formed Band with Step
High-Strength Plated Fasteners

TORCTITE BRIGHT FINISH LAP STYLE JOINT

304 Stainless Steel Polished Pre-Formed Band with Step
High-Strength Plated Fasteners



Units: mm



TORCTITE ALUMINIZED LAP STYLE JOINT		Nominal Joint Diameter	
Brand PN	Global PN	inches	mm
L20AA	0368 0107 051	2	50.8
L22AA	0368 0103 056	2-1/4	57.2
L25AA	0368 0108 064	2-1/2	63.5
L27AA	0368 0103 069	2-3/4	69.9
L30AA	0368 0123 076	3	76.2
L35AA	0368 0107 089	3-1/2	88.9
L40AA	0368 0133 102	4	101.6
L45AA	0368 0115 114	4-1/2	114.3
L50AA	0368 0132 127	5	127.0
L60AA	0368 0112 152	6	152.4

TORCTITE 304 SS LAP STYLE JOINT		Nominal Joint Diameter	
Brand PN	Global PN	inches	mm
L20SA	0368 0110 051	2	50.8
L22SA	0368 0103 057	2-1/4	57.2
L25SA	0368 0113 064	2-1/2	63.5
L27SA	0368 0105 070	2-3/4	69.9
L30SA	0368 0112 076	3	76.2
L35SA	0368 0110 089	3-1/2	88.9
L40SA	0368 0122 102	4	101.6
L45SA	0368 0112 114	4-1/2	114.3
L50SA	0368 0113 127	5	127.0
L60SA	0368 0110 152	6	152.4

TORCTITE BRIGHT FINISH LAP STYLE JOINT		Nominal Joint Diameter	
Brand PN	Global PN	inches	mm
L40BA*	0368 0126 102*	4	101.6
L50BA*	0368 0110 127*	5	127.0

TorcTite® with Lap Style Joint with Gasket

Durable clamping performance for pipes, flex and mufflers.



Superior Clamp Load Capacity | Pre-Assembled | Lap Style Joint | Aluminized and 304 Stainless Steels | Diameter Range 2" – 6"

TORCTITE ALUMINIZED LAP STYLE JOINT WITH GASKET

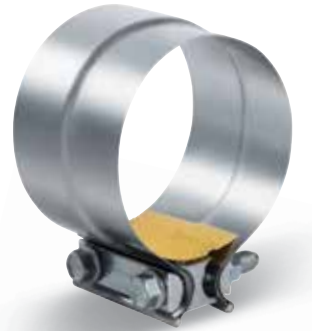
Aluminized Steel Pre-Formed Band with Step
High-Strength Plated Fasteners

TORCTITE 304 SS LAP STYLE JOINT WITH GASKET

304 Stainless Steel Pre-Formed Band with Step
High-Strength Plated Fasteners

TORCTITE BRIGHT FINISH LAP STYLE JOINT WITH GASKET

304 Stainless Steel Polished Pre-Formed Band with Step
High-Strength Plated Fasteners



TORCTITE ALUMINIZED LAP STYLE JOINT		Nominal Joint Diameter	
Brand PN	Global PN	inches	mm
L30AA-G	0368 0119 076	3	76.2
L35AA-G	0368 0125 089	3-1/2	88.9
L40AA-G	0368 0120 102	4	101.6
L50AA-G	0368 0122 127	5	127.0

TORCTITE 304 SS LAP STYLE JOINT		Nominal Joint Diameter	
Brand PN	Global PN	inches	mm
L30SA-G	0368 0118 076	3	76.2
L35SA-G	0368 0124 089	3-1/2	88.9
L40SA-G	0368 0119 102	4	101.6
L50SA-G	0368 0124 127	5	127.0

TORCTITE BRIGHT FINISH LAP STYLE JOINT		Nominal Joint Diameter	
Brand PN	Global PN	inches	mm
L35BA-G	0368 0123 089	3-1/2	88.9
L40BA-G	0368 0116 102	4	101.6
L50BA-G	0368 0127 127	5	127.0

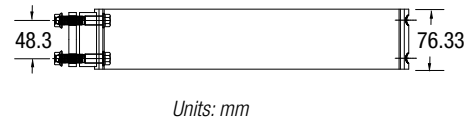
EasySeal®

Service-specific sealing solution that does not require the use of slotted pipe ends.



For Lap & Butt Style Joint Connections | Easy, Fast, & Accurate Installation | 304 Stainless Steel | Diameter Range 2" – 8"

EASYSEAL
Pre-Attached Hardware
High-Strength Grade-8 Fasteners
304 Stainless Steel Band

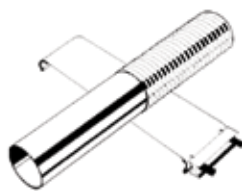


EASYSEAL		Nominal Joint Diameter	
Brand PN	Global PN	inches	mm
E20ST	0368 0000 051	2	50.8
E22ST	0368 0000 056	2-1/4	57.2
E25ST	0368 0000 064	2-1/2	63.5
E27ST	0368 0000 069	2-3/4	69.9
E30ST	0368 0000 076	3	76.2
E35ST	0368 0000 089	3-1/2	88.9
E40ST	0368 0000 102	4	101.6
E45ST	0368 0000 114	4-1/2	114.3
E50ST	0368 0000 127	5	127.0
E60ST	0368 0000 152	6	152.4
E70ST	0368 0000 178	7	177.8
E80ST	0368 0000 203	8	203.2

Note: Additional sizes are available to meet specific application requirements.

Installation Instructions:

1.



Center clamp around the joint.

2.



Insert bolts through the clamp end and force bar and install nuts.

3.



Tighten clamp from either side.
Torque to 48-60 ft.-lbs. (65-80 Nm).

U-Bolt

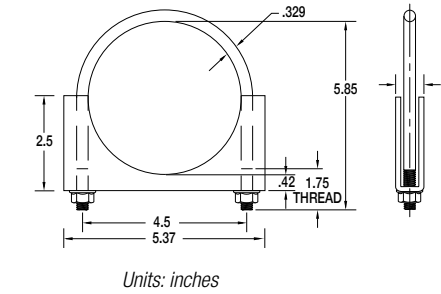
Low-cost alternative for pipe-joining applications, suitable for a wide range of non-slotted pipe diameters.



For Lap Style Joint Connections | Open-End Saddle | Carbon or Zinc-Plated Steel | Serrated Flange Nut | Diameter Range 1-1/2" – 6"

U-BOLT ZINC PLATED
Double-Edge Clamp
3/8" Bolt

U-BOLT CARBON STEEL
Double-Edge Clamp
3/8" Bolt



U-BOLT ZINC PLATED		U-BOLT CARBON STEEL		Nominal Joint Diameter	
Global PN	Global PN	inches	mm	inches	mm
0152 8003 038	0152 8002 038	1-1/2	38.0		
0152 8005 044	0152 8004 044	1-3/4	44.5		
0152 8007 048	0152 8006 048	1-7/8	47.6		
0152 8009 051	0152 8008 051	2	50.8		
0152 8011 057	0152 8010 057	2-1/4	57.15		
0152 8013 064	0152 8012 064	2-1/2	63.5		
0152 8015 076	0152 8014 076	3	76.2		
0152 8017 089	0152 8016 089	3-1/2	88.9		
0152 8018 102	0152 8001 102	4	101.6		
0152 8020 127	0152 8019 127	5	127.0		
0152 8022 152	0152 8021 152	6	152.4		

Note: Additional sizes are available to meet specific application requirements.

Application-Specific Products

Torca is a trusted supplier to many of the world's leading manufacturers and many of our products are included as original equipment on a wide range of commercial and passenger vehicles. To find specific OEM applications, part numbers, and availability in the aftermarket, please call 1-855-NORMA2U for more details.

AccuLock

A lightweight alternative to flat flanges, offering superior flexibility.

- | Positive Axial Retention
- | Low-Leak, After-Treatment Applications
- | 301, 409 and 439 Stainless Steels
- | Rotational and Axial Alignment Flexibility



Uni-Strap

High-Strength unitary clamp/bracket system.

- | Application-Specific Designs and Sizes
- | Eliminates Welds and Corrosion
- | Aluminized Steel, 409 and 430 Stainless Steel



Product Portfolio Quick Reference



T-Bolt

- | 0.75" Band Width
- | Diameter Range 1.31"– 13.07"
- | 0.25" Plated Steel Bolt
- | SAE Standard J1508 Type TB

Page 50



General Purpose V-Insert

- | 0.75"- 0.875" Band Widths
- | Diameter Range 2" and Larger
- | Corrosion-Resistant/Specialty Steels
- | Two, three or four Inserts

Page 54-55



Roll Formed V-Clamp

- | Flexible Partial Outer Band
- | Diameter Range 4.53"– 18.88"
- | Corrosion-Resistant Steels
- | Continuously Formed Insert

Page 58



V-Clamp Halves

- | Economical Coupling
- | Diameter Range 2.51"– 6.12"
- | Corrosive/Heat-Resistant Steels
- | Weld-Free Construction

Page 62



Mini Flex Seal™

- | 0.562" Band Width
- | Diameter Range 1.31"– 6.12"
- | Constant Tension Spring
- | Plated Steel Bridge

Page 51



Quick Connect V-Insert

- | 0.625"- 1" Band Widths
- | Diameter Range 2.08" – 5.90"
- | Corrosion-Resistant/Specialty Steels
- | Three Welded Inserts

Page 56



Flex Roll Formed V-Clamp

- | Flexible Partial Outer Band
- | Nominal Diameter 21.61"
- | Corrosion/Heat-Resistant Steels
- | 0.25", 0.312", M6 & 0.375" Fasteners

Page 59



V-Coupling

- | Two V-Retainers with Hinge
- | Diameter Range 2"– 7"
- | Corrosion/Heat-Resistant Steels
- | Weld-Free Construction

Page 62



Flex Seal™

- | 0.75" Band Width
- | Diameter Range 1.69"– 13.13"
- | Constant-Tension Spring
- | SAE Standard J1508 Type SLTB

Page 52



Quick Release V-Insert

- | 0.625"- 1" Band Widths
- | Diameter Range 2" and Larger
- | Corrosion-Resistant/Specialty Steels
- | Three Welded Inserts

Page 56



Uni-Flex V-Clamp

- | Cost-Effective Continuous Band
- | Diameter Range 4.19" – 5.88"
- | Corrosion/Heat-Resistant Steels
- | 0.25", 0.312", M6 & 0.375" Fasteners

Page 59



Strap Clamps

- | Application-Specific Designs
- | Various Steels Available
- | Optional Latches and Hardware
- | Custom Designed Lengths Available

Page 63



Flex Seal™ HD

- | 0.75" Band Width
- | Diameter Range 1.69"– 14.06"
- | Heavy-Duty Constant-Tension Spring
- | SAE Standard J1508 Type SLTB

Page 53



Light Duty V-Insert

- | Three Welded Inserts
- | Diameter Range 2"– 5.50"
- | Corrosion-Resistant Steels
- | 0.312" Slotted Hex Head Screw

Page 57



E-Series V-Clamp

- | Economical Coupling
- | Diameter Range 2.81"– 21.25"
- | Corrosive/Heat-Resistant Steels
- | Weld-Free Construction

Page 60-61



Mounting, Muffler & Heat Shield Clamps

- | Application-Specific Designs
- | Various Steels Available
- | Optional Latches and Hardware
- | Custom Diameter Ranges

Page 63

T-Bolt Hose Clamp

A heavy-duty T-Bolt clamp for automotive, industrial, and marine applications.



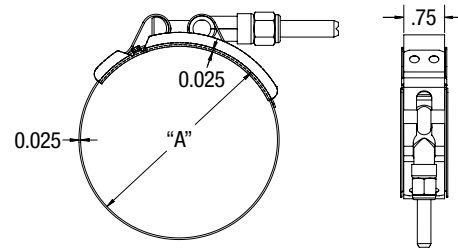
3/4" Band Width | 1/4" T-Bolt | SAE Standard J1508 Type TB | Diameter Range 1.31" – 13.07"

T-BOLT HOSE CLAMP

- 1/4" Plated Steel Bolt
- 3/4" Stainless Steel Band
- Floating Bridge

ALL SS T-BOLT HOSE CLAMP

- 1/4" Stainless Steel Bolt
- 3/4" Stainless Steel Band
- Floating Bridge



Units: inches



SAE	T-BOLT HOSE CLAMP		ALL SS T-BOLT HOSE CLAMP		inches		mm (A)	
	Brand PN	Global PN	Brand PN	Global PN	min	max	min	max
-	000650-021	0374 0101 036	000935-021	0374 0102 036	1.31	1.56	33.27	39.62
-	000650-025	0374 0101 043	000935-025	0374 0102 043	1.56	1.81	39.62	45.97
-	000700-027	0374 0201 046	000853-027	0374 0202 046	1.69	1.94	42.93	49.28
30	000700-029	0374 0201 049	000853-029	0374 0202 049	1.81	2.06	45.97	52.32
38	000700-033	0374 0201 055	000853-033	0374 0203 055	2.06	2.31	52.32	58.67
42	000700-035	0374 0201 060	000853-035	0374 0202 060	2.19	2.50	55.63	63.50
46	000700-037	0374 0201 063	000853-037	0374 0202 063	2.31	2.62	58.67	66.55
48	000700-038	0374 0201 064	000853-038	0374 0203 064	2.38	2.69	60.45	68.33
50	000700-039	0374 0201 066	000853-039	0374 0202 066	2.44	2.75	61.98	69.85
54	000700-041	0374 0201 069	000853-041	0374 0202 069	2.56	2.87	65.02	72.90
58	000700-043	0374 0201 072	000853-043	0374 0203 072	2.69	3.00	68.33	76.20
62	000700-045	0374 0201 075	000853-045	0374 0202 075	2.81	3.12	71.37	79.25
66	000700-047	0374 0201 079	000853-047	0374 0203 079	2.94	3.25	74.68	82.55
70	000700-049	0374 0201 082	000853-049	0374 0202 082	3.06	3.37	77.72	85.60
78	000700-053	0374 0202 088	000853-053	0374 0204 088	3.31	3.62	84.07	91.95
86	000700-057	0374 0202 094	000853-057	0374 0205 094	3.56	3.87	90.42	98.30
88	000700-058	0374 0201 096	000853-058	0374 0202 096	3.63	3.94	92.20	100.08
94	000700-061	0374 0201 101	000853-061	0374 0202 101	3.81	4.12	96.77	104.65
102	000700-065	0374 0201 107	000853-065	0374 0202 107	4.06	4.37	103.12	111.00
110	000700-069	0374 0201 113	000853-069	0374 0204 113	4.31	4.62	109.47	117.35
118	000700-073	0374 0201 120	000853-073	0374 0202 120	4.56	4.87	115.82	123.70
126	000700-077	0374 0201 126	000853-077	0374 0202 126	4.81	5.12	122.17	130.05
134	000700-081	0374 0201 132	000853-081	0374 0202 132	5.06	5.37	128.52	136.40
142	000700-085	0374 0201 139	000853-085	0374 0202 139	5.31	5.62	134.87	142.75
150	000700-089	0374 0201 145	000853-089	0374 0203 145	5.56	5.87	141.22	149.10
158	000700-093	0374 0201 152	000853-093	0374 0202 152	5.81	6.12	147.57	155.45
166	000700-097	0374 0201 158	000853-097	0374 0202 158	6.06	6.37	153.92	161.80
174	000700-101	0374 0201 164	000853-101	0374 0202 164	6.31	6.62	160.27	168.15
182	000700-105	0374 0201 171	000853-105	0374 0202 171	6.56	6.87	166.62	174.50
190	000700-109	0374 0201 177	000853-109	0374 0202 177	6.81	7.12	172.97	180.85
198	000700-113	0374 0201 183	000853-113	0374 0203 183	7.06	7.37	179.32	187.20
206	000700-117	0374 0201 190	000853-117	0374 0202 190	7.31	7.62	185.67	193.55
214	000700-121	0374 0201 196	000853-121	0374 0202 196	7.56	7.87	192.02	199.89
222	000700-125	0374 0201 202	000853-125	0374 0202 202	7.81	8.12	198.37	206.25
230	000700-129	0374 0201 209	000853-129	0374 0202 209	8.06	8.37	204.72	212.60
250	000700-139	0374 0201 225	000853-139	0374 0203 225	8.69	9.19	220.73	233.43
312	000700-170	0374 0201 276	000853-170	0374 0202 276	10.63	11.13	270.00	281.18
-	000700-202	-	000853-202	0374 0201 326	12.63	13.07	320.80	331.98

Note: Call for a complete list of sizes and materials.

Mini Flex Seal™ Hose Clamp

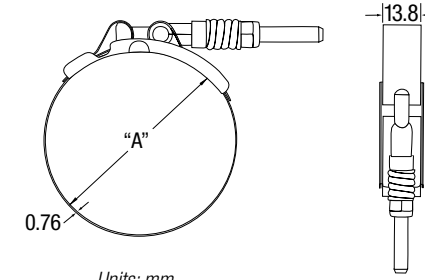
Flex Seal clamp with constant-tension spring for a wide variety of automotive, industrial, and marine applications.



9/16" Band Width | Constant-Tension Performance | Plated Steel Bridge | Diameter Range 1.31" – 6.12"

MINI FLEX SEAL HOSE CLAMP

- Plated Steel Bridge
- M5 T-Bolt and Hardware
- Standard Constant-Tension Spring



Units: mm



SAE	MINI FLEX SEAL HOSE CLAMP		Nominal Size		inches		mm (A)	
	Brand PN	Global PN	inches	mm	min	max	min	max
-	002226-021	0374 0301 035	1.38	34.93	1.31	1.48	33.3	37.6
-	002226-022	0374 0301 037	1.47	37.31	1.38	1.55	35.1	39.4
-	002226-023	0374 0301 039	1.53	38.89	1.44	1.61	36.6	40.9
-	002226-025	0374 0301 042	1.66	42.07	1.56	1.76	39.6	44.7
-	002226-027	0374 0301 045	1.78	45.24	1.69	1.89	42.9	48
-	002226-028	0374 0301 048	1.88	47.63	1.75	2	44.5	50.8
-	002226-029	0374 0301 049	1.94	49.21	1.81	2.06	46	52.3
-	002226-030	0374 0301 051	1.97	49.92	1.88	2.13	47.8	54.1
-	002226-031	0374 0301 053	2.09	53.18	1.94	2.25	49.3	57.2
-	002226-033	0374 0301 056	2.22	56.36	2.06	2.37	52.3	60.2
-	002226-034	0374 0301 058	2.28	57.94	2.13	2.44	54.1	62
-	002226-035	0374 0301 060	2.66	67.47	2.19	2.5	55.6	63.5
-	002226-036	0374 0301 061	2.41	61.12	2.25	2.56	57.2	65
-	002226-037	0374 0301 063	2.47	62.71	2.31	2.62	58.7	66.5
-	002226-038	0374 0301 064	2.53	64.29	2.38	2.69	60.5	68.3
-	002226-039	0374 0301 066	2.59	65.88	2.44	2.75	62	69.9
-	002226-040	0374 0301 067	2.66	67.47	2.5	2.81	63.5	71.374
-	002226-041	0374 0301 069	2.72	69.06	2.56	2.87	65.0	72.9
-	002226-042	0374 0301 071	2.78	70.64	2.63	2.94	66.8	74.7
-	002226-043	0374 0301 072	2.84	72.23	2.69	3	68.3	76.2
-	002226-044	0374 0301 074	2.91	73.82	2.75	3.06	69.9	77.7
-	002226-045	0374 0301 075	2.97	75.41	2.81	3.12	71.4	79.2
-	002226-046	0374 0301 077	3.34	84.93	2.88	3.19	73.2	81.0
-	002226-047	0374 0301 079	3.09	78.58	2.94	3.25	74.7	82.6
-	002226-049	0374 0301 082	3.22	81.76	3.06	3.37	77.7	85.6
-	002226-053	0374 0301 088	3.47	88.11	3.31	3.62	84.1	91.9
-	002226-057	0374 0301 094	3.72	94.46	3.56	3.87	90.4	98.3
-	002226-061	0374 0301 101	3.97	100.81	3.81	4.12	96.8	104.6
-	002226-065	0374 0301 107	4.22	107.16	4.06	4.37	103.1	111.0
-	002226-069	0374 0301 113	4.47	113.51	4.31	4.62	109.5	117.3
-	002226-073	0374 0301 120	4.72	119.86	4.56	4.87	115.8	123.7
-	002226-077	0374 0301 126	4.97	126.21	4.81	5.12	122.2	130.0
-	002226-085	0374 0301 139	5.47	138.91	5.31	5.62	134.9	142.7
-	002226-086	0374 0301 141	5.53	140.49	5.38	5.69	136.7	144.5
-	002226-093	0374 0301 152	5.97	151.61	5.81	6.12	147.6	155.4

Note: Call for a complete list of sizes and materials.

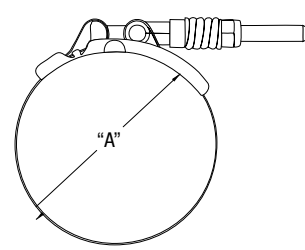
Flex Seal™ Spring Hose Clamp

Flex-Seal clamp with constant-tension spring for a wide variety of automotive, industrial, and marine applications.

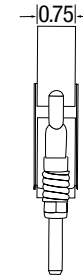


3/4" Band Width | Constant-Tension Performance | SAE Standard J1508 Type SLTB | Diameter Range 1.69" – 13.13"

- FLEX SEAL SPRING HOSE CLAMP**
 1/4" Plated Steel Bolt
 3/4" Stainless Steel Band
 Standard Constant-Tension Spring



Units: inches



SAE	FLEX SEAL SPRING HOSE CLAMP		inches		mm (A)	
	Brand PN	Global PN	min	max	min	max
-	000667-027	0363 0010 046	1.69	1.94	42.9	49.2
30	000667-029	0363 0010 049	1.81	2.06	46.0	52.4
38	000667-033	0363 0011 056	2.06	2.37	52.3	60.2
42	000667-035	0374 0400 060	2.19	2.5	55.6	63.5
46	000667-037	0374 0401 063	2.31	2.62	58.7	66.5
48	000667-038	0374 0401 064	2.37	2.68	60.2	68.1
50	000667-039	0374 0401 066	2.44	2.75	62.0	69.9
54	000667-041	0374 0401 069	2.56	2.87	65.0	72.9
58	000667-043	0374 0401 072	2.69	3.00	68.3	76.2
62	000667-045	0374 0401 075	2.81	3.12	71.4	79.2
66	000667-047	0363 0000 079	2.94	3.25	74.7	82.6
70	000667-049	0374 0401 082	3.06	3.37	77.7	85.6
78	000667-053	0374 0401 088	3.31	3.62	84.1	91.9
86	000667-057	0374 0401 094	3.56	3.87	90.4	98.3
88	000667-058	0374 0401 096	3.63	3.94	92.2	100.1
94	000667-061	0374 0401 101	3.81	4.12	96.8	104.6
102	000667-065	0374 0401 107	4.06	4.37	103.1	111.0
110	000667-069	0374 0401 113	4.31	4.62	109.5	117.3
118	000667-073	0374 0401 120	4.56	4.87	115.8	123.7
126	000667-077	0363 0006 126	4.81	5.12	122.2	130.1
134	000667-081	0363 0013 133	5.06	5.37	128.6	136.5
142	000667-085	0374 0401 139	5.31	5.62	134.9	142.8
148	000667-088	0374 0401 144	5.50	5.81	139.7	147.6
150	000667-089	0363 0002 145	5.56	5.87	141.3	149.2
158	000667-093	0374 0401 152	5.81	6.12	147.6	155.5
166	000667-097	0363 0004 158	6.06	6.37	154.0	161.9
174	000667-101	0374 0401 164	6.31	6.62	160.3	168.2
182	000667-105	0363 0002 171	6.56	6.87	166.7	174.6
190	000667-109	0363 0000 177	6.81	7.12	173.0	180.9
198	000667-113	0363 0003 183	7.06	7.37	179.4	187.3
206	000667-117	0374 0401 190	7.31	7.62	185.7	193.6
212	000667-120	0374 0401 194	7.50	7.81	190.5	198.4
214	000667-121	0374 0401 196	7.56	7.87	192.1	200.0
222	000667-125	0374 0401 202	7.81	8.12	198.4	206.3
230	000667-129	0363 0001 209	8.06	8.37	204.8	212.7
250	000667-139	0363 0000 225	8.69	9.00	220.7	228.5
312	000667-170	0363 0002 276	10.63	11.13	269.9	282.6
-	000667-202	0363 0004 327	12.63	13.13	320.7	333.4

Note: Call for a complete list of sizes and materials.

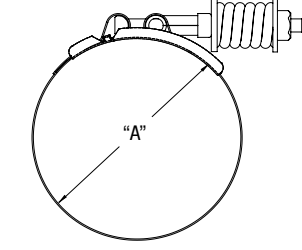
Flex Seal™ HD Spring Hose Clamp

Flex-Seal clamp with constant-tension spring for a wide variety of automotive, industrial, and marine applications.

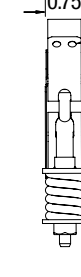


3/4" Band Width | Constant-Tension Performance | SAE Standard J1508 Type SLTB | Diameter Range 1.69" – 14.06"

- FLEX SEAL HD SPRING HOSE CLAMP**
 1/4" Plated Steel Bolt
 3/4" Stainless Steel Band
 Heavy-Duty Constant-Tension Spring



Units: inches



SAE	FLEX SEAL HD SPRING HOSE CLAMP		inches		mm (A)	
	Brand PN	Global PN	min	max	min	max
-	000848-027	0374 0501 047	1.69	2.00	42.93	50.80
38	000848-033	0374 0501 056	2.06	2.37	52.32	60.20
42	000848-035	0374 0502 060	2.19	2.5	55.63	63.50
44	000848-036	0374 0502 061	2.25	2.56	57.20	65.00
48	000848-038	0374 0501 064	2.37	2.68	60.20	68.07
50	000848-039	0374 0502 066	2.44	2.75	61.98	69.85
54	000848-041	0374 0502 069	2.56	2.88	65.02	73.15
58	000848-043	0374 0502 072	2.69	3.00	68.33	76.20
62	000848-045	0374 0501 075	2.81	3.12	71.37	79.25
66	000848-047	0374 0501 079	2.94	3.25	74.68	82.55
70	000848-049	0374 0501 082	3.06	3.37	77.72	85.60
72	000848-050	0374 0501 083	3.12	3.43	79.25	87.12
78	000848-053	0374 0501 088	3.31	3.62	84.07	91.95
86	000848-057	0374 0501 094	3.56	3.87	90.42	98.30
92	000848-060	0374 0502 099	3.75	4.06	95.25	103.12
94	000848-061	0374 0501 101	3.81	4.12	96.77	104.65
102	000848-065	0374 0501 107	4.06	4.37	103.12	111.00
104	000848-066	0374 0502 109	4.12	4.43	104.65	112.52
108	000848-068	0374 0501 112	4.25	4.56	107.95	115.82
110	000848-069	0374 0501 113	4.31	4.62	109.47	117.35
118	000848-073	0374 0501 120	4.56	4.87	115.82	123.70
126	000848-077	0374 0501 126	4.81	5.12	121.17	130.05
134	000848-081	0374 0501 132	5.06	5.37	128.50	136.40
142	000848-085	0374 0501 139	5.31	5.62	134.87	142.75
150	000848-089	0374 0501 145	5.56	5.87	141.22	149.10
158	000848-093	0374 0501 152	5.81	6.12	147.57	155.45
166	000848-097	0363 0000 158	6.06	6.37	153.92	161.80
176	000848-102	0374 0501 166	6.37	6.68	161.80	169.67
184	000848-106	0374 0501 172	6.63	6.94	168.40	176.28
192	000848-110	0363 0001 179	6.88	7.19	174.80	182.60
204	000848-116	0363 0001 188	7.25	7.56	184.20	192.00
212	000848-120	0363 0000 195	7.50	7.81	190.50	198.40
216	000848-122	0374 0501 198	7.63	7.94	193.80	201.68
230	000848-129	0363 0000 209	8.06	8.37	204.70	212.60
240	000848-134	0363 0000 217	8.38	8.69	212.90	220.70
294	000848-161	0363 0000 256	10.06	10.37	255.50	263.40
304	000848-166	0363 0002 268	10.38	10.69	263.70	271.50
334	000848-185	0363 0000 298	11.56	11.87	293.60	301.50
-	000848-188	0363 0001 302	11.75	12.06	298.50	306.30
-	000848-220	0363 0000 353	13.75	14.06	349.25	357.12

Note: Call for a complete list of sizes and materials.

General Purpose V-Insert Clamp

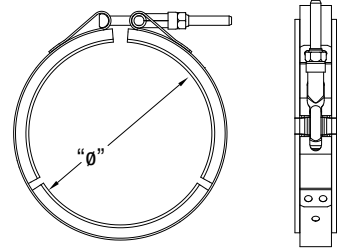
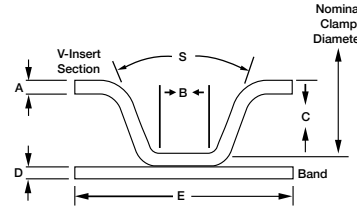
Clamps that can develop high axial clamping force with high burst pressure capability in diesel engine exhaust and turbochargers.



Corrosion-Resistant & Specialty Steels | Multiple Fastener Options | Diameter Range 2.31"- 14.38"

GENERAL PURPOSE V-INSERT

Corrosion-Resistant & Specialty Steels
Multiple Band Widths
Available with 2, 3 or 4 Inserts



GENERAL PURPOSE V-INSERT CLAMP		Nominal Diameter (Ø)		# of Inserts	Installation Torque	Insert Angle (S)	Insert Thickness (A)		Insert Apex Width (B)		Insert Depth (C)		Band Thickness (D)		Band Width (E)	
Brand PN	Global PN	in	mm				in	mm	in	mm	in	mm	in	mm	in	mm
010134-008	0373 0102 059	2.31	58.7	2	50 in lb	40°	0.050	1.27	0.262	6.65	0.141	3.58	0.035	0.89	0.750	19.05
010499-006	0373 0102 068	2.69	68.3	3	50 in lb	40°	0.050	1.27	0.239	6.07	0.190	4.83	0.040	1.02	0.750	19.05
010672	0373 0105 076	3.00	76.2	3	50 in lb	40°	0.050	1.27	0.340	8.64	0.190	4.83	0.040	1.02	0.875	22.23
010499-005	0373 0103 076	3.00	76.2	3	50 in lb	40°	0.050	1.27	0.239	6.07	0.190	4.83	0.040	1.02	0.750	19.05
010614	0373 0104 076	3.01	76.5	3	75 in lb	40°	0.050	1.27	0.281	7.14	0.157	3.99	0.040	1.02	0.750	19.05
010667	0373 0103 078	3.09	78.5	3	50 in lb	40°	0.060	1.52	0.262	6.65	0.141	3.58	0.035	0.89	0.750	19.05
010170	0373 0101 081	3.18	80.8	3	50 in lb	40°	0.060	1.52	0.207	5.26	0.281	7.14	0.040	1.02	0.750	19.05
010301-008	0373 0110 082	3.22	81.8	3	50 in lb	40°	0.050	1.27	0.262	6.65	0.141	3.58	0.035	0.89	0.750	19.05
010134-002	0373 0101 082	3.22	81.8	3	50 in lb	40°	0.050	1.27	0.262	6.65	0.141	3.58	0.035	0.89	0.750	19.05
010636	0373 0103 083	3.25	82.6	3	150 in lb	40°	0.120	3.05	0.260	6.60	0.252	6.40	0.062	1.57	1.000/500	25.40/12.70
010719	0373 0105 083	3.25	82.6	3	150 in lb	40°	0.120	3.05	0.208	5.28	0.252	6.40	0.062	1.57	1.000/500	25.40/12.70
010729	0373 0102 085	3.33	84.6	3	100 in lb	40°	0.077	1.96	0.331	8.41	0.281	7.14	0.040	1.02	0.875	22.23
010148-003	0373 0102 089	3.50	88.9	3	75 in lb	40°	0.077	1.96	0.207	5.26	0.281	7.14	0.050	1.27	0.875	22.23
010148-002	0373 0101 097	3.82	97.0	3	75 in lb	40°	0.077	1.96	0.207	5.26	0.281	7.14	0.050	1.27	0.875	22.23
100020-001	0373 0104 097	3.82	97.0	3	75 in lb	40°	0.077	1.96	0.207	5.26	0.281	7.14	0.050	1.27	0.875	22.23
010332	0373 0102 098	3.87	98.3	3	75 in lb	40°	0.077	1.96	0.425	10.80	0.312	7.92	0.050	1.27	0.875	22.23
010028-001	0373 0101 099	3.88	98.6	3	50 in lb	40°	0.050	1.27	0.400	10.16	0.281	7.14	0.040	1.02	0.875	22.23
006021	0373 0101 102	4.03	102.4	3	75 in lb	40°	0.077	1.96	0.219	5.56	0.157	3.99	0.062	1.57	0.540	13.72
010624	0373 0104 103	4.06	103.1	3	75 in lb	40°	0.080	2.03	0.315	8.00	0.354	8.99	0.080	2.03	0.750	19.05
010371	0373 0103 104	4.10	104.1	3	75 in lb	40°	0.050	1.27	0.262	6.65	0.141	3.58	0.062	1.57	0.670	17.02
010601	0373 0107 106	4.16	105.7	3	50 in lb	40°	0.060	1.52	0.309	7.85	0.236	5.99	0.040	1.02	0.750	19.05
100137	0373 0114 106	4.19	106.4	3	75 in lb	40°	0.077	1.96	0.400	10.16	0.281	7.14	0.062	1.57	0.875	22.23
010650	0373 0104 107	4.23	107.5	3	75 in lb	38°	0.050	1.27	0.262	6.65	0.141	3.58	0.050	1.27	0.750	19.05
010028-002	0373 0102 108	4.25	108.0	3	50 in lb	40°	0.050	1.27	0.400	10.16	0.281	7.14	0.040	1.02	0.875	22.23
100020-006	0373 0106 109	4.31	109.5	3	75 in lb	40°	0.077	1.96	0.207	5.26	0.281	7.14	0.050	1.27	0.875	22.23
010261-002	0373 0101 109	4.31	109.5	3	75 in lb	40°	0.077	1.96	0.207	5.26	0.281	7.14	0.040	1.02	0.875	22.23
010325	0373 0103 109	4.31	109.5	3	50 in lb	40°	0.060	1.52	0.256	6.50	0.312	7.92	0.040	1.02	0.750	19.05
010566-001	0373 0103 110	4.33	110.0	3	75 in lb	40°	0.060	1.52	0.207	5.26	0.281	7.14	0.040	1.02	0.750	19.05
010770	0373 0105 110	4.33	110.0	3	50 in lb	40°	0.040	1.02	0.207	5.26	0.281	7.14	0.025	0.64	0.750	19.05
010445	0373 0101 110	4.34	110.2	3	50 in lb	40°	0.050	1.27	0.239	6.07	0.281	7.14	0.040	1.02	0.750	19.05
100020-010	0373 0104 113	4.43	112.5	3	75 in lb	40°	0.077	1.96	0.207	5.26	0.281	7.14	0.050	1.27	0.875	22.23

GENERAL PURPOSE V-INSERT CLAMP		Nominal Diameter (Ø)		# of Inserts	Installation Torque	Insert Angle (S)	Insert Thickness (A)		Insert Apex Width (B)		Insert Depth (C)		Band Thickness (D)		Band Width (E)	
Brand PN	Global PN	in	mm				in	mm	in	mm	in	mm	in	mm	in	mm
010179-003	0373 0102 114	4.48	113.8	3	150 in lb	40°	0.073	1.85	0.262	6.65	0.141	3.58	0.062	1.57	0.670	17.02
010134-005	0373 0101 114	4.50	114.3	3	50 in lb	40°	0.050	1.27	0.262	6.65	0.141	3.58	0.035	0.89	0.750	19.05
010261-003	0373 0100 114	4.50	114.3	3	75 in lb	40°	0.077	1.96	0.207	5.26	0.281	7.14	0.040	1.02	0.875	22.23
100020-002	0373 0107 114	4.50	114.3	3	75 in lb	40°	0.077	1.96	0.207	5.26	0.281	7.14	0.050	1.27	0.875	22.23
010039	0373 0101 117	4.61	117.1	3	50 in lb	40°	0.050	1.27	0.156	3.96	0.218	5.54	0.035	0.89	0.750	19.05
100076	0373 0107 119	4.69	119.1	3	75 in lb	40°	0.077	1.96	0.400	10.16	0.281	7.14	0.062	1.57	0.875	22.23
100181	0373 0000 119	4.69	119.1	3	75 in lb	40°	0.077	1.96	0.475	12.07	0.281	7.14	0.050	1.27	0.875	22.23
010595-001	0373 0106 119	4.69	119.1	3	50 in lb	40°	0.060	1.52	0.372	9.45	0.281	7.14	0.035	0.89	0.750	19.05
100211	0373 0109 119	4.69	119.1	3	125 in lb	40°	0.077	1.96	0.900	22.86	0.281	7.14	0.062	1.57	0.875	22.23
010301-004	0373 0101 120	4.71	119.6	3	50 in lb	40°	0.050	1.27	0.262	6.65	0.141	3.58	0.035	0.89	0.750	19.05
010028-006	0373 0101 121	4.75	120.7	3	50 in lb	40°	0.050	1.27	0.400	10.16	0.281	7.14	0.040	1.02	0.875	22.23
100020-005	0373 0110 121	4.75	120.7	3	75 in lb	40°	0.077	1.96	0.207	5.26	0.281	7.14	0.050	1.27	0.875	22.23
010431	0373 0106 121	4.76	120.9	3	50 in lb	40°	0.050	1.27	0.516	13.11	0.281	7.14	0.040	1.02	1.000	25.40
010667-001	0373 0011 121	4.78	121.4	3	50 in lb	40°	0.060	1.52	0.262	6.65	0.141	3.58	0.035	0.89	0.750	19.05
100020-003	0373 0106 122	4.81	122.2	3	75 in lb	40°	0.077	1.96	0.207	5.26	0.281	7.14	0.050	1.27	0.875	22.23
010028-004	0373 0101 127	5.00	127.0	3	50 in lb	40°	0.050	1.27	0.400	10.16	0.281	7.14	0.040	1.02	0.875	22.23
010149-007	0373 0102 127	5.00	127.0	3	75 in lb	40°	0.050	1.27	0.262	6.65	0.141	3.58	0.035	0.89	0.750	19.05
010149-001	0373 0105 133	5.24	133.1	3	75 in lb	40°	0.050	1.27	0.262	6.65	0.141	3.58	0.035	0.89	0.750	19.05
010134	0373 0103 133	5.25	133.4	3	50 in lb	40°	0.050	1.27	0.262	6.65	0.141	3.58	0.035	0.89	0.750	19.05
010149-006	0373 0101 135	5.30	134.6	3	75 in lb	40°	0.050	1.27	0.262	6.65	0.141	3.58	0.035	0.89	0.750	19.05
010301	0373 0102 135	5.30	134.6	3	50 in lb	40°	0.050	1.27	0.262	6.65	0.141	3.58	0.035	0.89	0.750	19.05
010301-005	0373 0103 140	5.50	139.7	3	50 in lb	40°	0.050	1.27	0.262	6.65	0.141	3.58	0.035	0.89	0.750	19.05
010149-002	0373 0101 144	5.65	143.5	3	75 in lb	40°	0.050	1.27	0.262	6.65	0.141	3.58	0.035	0.89	0.750	19.05
010028-003	0373 0101 149	5.88	149.4	3	50 in lb	40°	0.050	1.27	0.400	10.16	0.281	7.14	0.040	1.02	0.875	22.23
010484	0373 0108 149	5.88	149.4	3	75 in lb	40°	0.050	1.27	0.400	10.16	0.281	7.14	0.040	1.02	0.875	22.23
03730002150	0373 0002 150	5.90	149.9	3	100 in lb	38°	0.080	2.03	0.402	10.21	0.276	7.01	0.080	2.03	0.875	22.23
010769	0373 0108 150	5.91	150.1	3	50 in lb	40°	0.050	1.27	0.428	10.87	0.309	7.85	0.040	1.02	0.875	22.23
010768	0373 0109 150	5.92	150.4	3	50 in lb	40°	0.050	1.27	0.379	9.63	0.309	7.85	0.040	1.02	0.875	22.23
100034	0373 0106 150	5.92	150.4	3	75 in lb	40°	0.090	2.29	0.280	7.11	0.301	7.65	0.062	1.57	0.875	22.23
010149-003	0373 0103 152	6.00	152.4	3	75 in lb	40°	0.050	1.27	0.262	6.65	0.141	3.58	0.035	0.89	0.750	19.05
010149-005	0373 0101 159	6.25	158.8	3	75 in lb	40°	0.050	1.27	0.262	6.65	0.141	3.58	0.035	0.89	0.750	19.05
010652-006	0373 0102 177	6.97	177.0	3	75 in lb	38°	0.100	2.54	0.257	6.53	0.200	5.08	0.062	1.57	0.750/500	19.05/12.70
010652-005	0373 0101 177	6.97	177.0	3	75 in lb	38°	0.100	2.54	0.257	6.53	0.200	5.08	0.062	1.57		

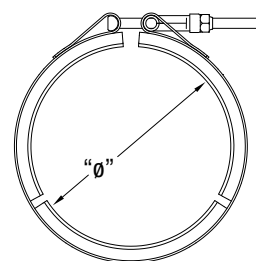
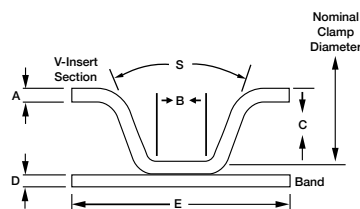
Quick Connect V-Insert Clamp

Develops high axial clamping force and burst pressure capability for diesel exhaust and turbochargers.



40-Degree Insert Angle | Three V-Inserts Welded to Outer Band | Plastic Knob Available | Diameter Range 2.08" – 5.90"

QUICK-CONNECT V-INSERT CLAMP
1/4" or 5/16" Fasteners
300-Series SS Band
Three Welded Inserts / Flexible Outer Band



QUICK CONNECT V-INSERT CLAMP		Nominal Diameter (Ø)		Installation Torque	Insert Angle (S)	Insert Thickness (A)		Insert Apex Width (B)		Insert Depth (C)		Band Thickness (D)		Band Width (E)	
Brand PN	Global PN	in	mm			in	mm	in	mm	in	mm	in	mm	in	mm
050218-001**	0373 0201 053**	2.08	52.8	25 in.-lb.	40°	0.050	1.27	0.262	6.65	0.141	3.58	0.025	0.64	0.625	15.88
050432-002	0373 0203 056	2.19	55.6	100 in.-lb.	40°	0.060	1.52	0.212	5.38	0.281	7.14	0.040	1.02	0.875	22.23
050218-002**	0373 0201 067**	2.62	66.6	25 in.-lb.	40°	0.050	1.27	0.262	6.65	0.141	3.58	0.025	0.64	0.625	15.88
050483	0373 0203 068	2.69	68.3	100 in.-lb.	40°	0.060	1.52	0.207	5.26	0.281	7.14	0.040	1.02	0.750	19.05
050513	0373 0201 075	2.95	74.9	75 in.-lb.	40°	0.050	1.27	0.400	10.16	0.190	4.83	0.040	1.02	0.875	22.23
050424	0373 0204 076	3.00	76.2	50 in.-lb.	40°	0.050	1.27	0.340	8.64	0.190	4.83	0.040	1.02	0.875	22.23
050483-001	0373 0204 079	3.11	79.0	100 in.-lb.	40°	0.060	1.52	0.207	5.26	0.281	7.14	0.040	1.02	0.750	19.05
050218-003**	0373 0201 080	3.15	80.0	25 in.-lb.	40°	0.050	1.27	0.262	6.65	0.141	3.58	0.025	0.64	0.625	15.88
050451	0373 0202 082	3.24	82.3	110 in lb	40°	0.069	1.75	0.219	5.56	0.205	5.21	0.050	1.27	1.000/630	25.40/16.00
050218-004**	0373 0202 093**	3.67	93.2	25 in.-lb.	40°	0.050	1.27	0.262	6.65	0.141	3.58	0.025	0.64	0.625	15.88
050144-002	0373 0201 097	3.82	97.0	50 in.-lb.	40°	0.077	1.96	0.207	5.26	0.281	7.14	0.040	1.02	0.750	19.05
050371	0373 0203 098	3.85	97.8	50 in.-lb.	40°	0.050	1.27	0.239	6.07	0.281	7.14	0.035	0.89	0.750	19.05
050498	0373 0202 106	4.16	105.7	75 in.-lb.	40°	0.060	1.52	0.309	7.85	0.236	5.99	0.040	1.02	0.750	19.05
050478	0373 0202 108	4.26	108.2	100 in.-lb.	40°	0.077	1.96	0.410	10.41	0.281	7.14	0.050	1.27	0.750	19.05
050398-007	0373 0207 111	4.37	111.0	133 in.-lb.	40°	0.077	1.96	0.290	7.37	0.328	8.33	0.050	1.27	0.750	19.05
050415	0373 0208 111	4.38	111.3	100 in.-lb.	40°	0.090	2.29	0.248	6.30	0.281	7.14	0.040	1.02	0.750	19.05
050418	0373 0209 111	4.38	111.3	100 in.-lb.	40°	0.060	1.52	0.277	7.04	0.258	6.55	0.040	1.02	0.750	19.05
050470	0373 0201 112	4.41	112.0	100 in.-lb.	40°	0.060	1.52	0.337	8.56	0.292	7.42	0.050	1.27	0.875	22.23
050144-003	0373 0201 114	4.50	114.3	50 in.-lb.	40°	0.077	1.96	0.207	5.26	0.281	7.14	0.040	1.02	0.750	19.05
050474*	0373 0202 122*	4.79	121.7	100 in.-lb.	40°	0.080	2.03	0.355	9.02	0.320	8.13	0.062	1.57	1.000	25.40
050309-001**	0373 0201 130**	5.11	129.8	50 in.-lb.	40°	0.040	1.02	0.159	4.04	0.215	5.46	0.025	0.64	0.750	19.05
050443	0373 0202 149	5.87	149.1	75 in.-lb.	40°	0.050	1.27	0.365	9.27	0.305	7.75	0.040	1.02	0.875	22.23
050487*	0373 0201 150*	5.90	149.9	100 in.-lb.	40°	0.080	2.03	0.354	8.99	0.281	7.14	0.062	1.57	1.000	25.40

Note: Call for a complete list of sizes and materials.

*441 stainless steel band and insert

**With plastic knob

Quick Release V-Insert Clamp

- | For Filters, Mixers, and Separators
- | Corrosive Resistant/Specialty Steels
- | Diameter Range 2" and Larger
- | Three Welded Inserts

Call our sales team to find the part number that fits your application requirements.



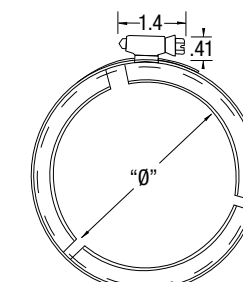
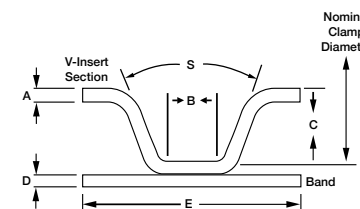
Light Duty V-Insert Clamp

V-Insert Clamp for dairy equipment, diesel engines, and swimming pool equipment.



Installation Torque 25 in.-lbs. | Welded Band Construction | Corrosion-Resistant Steel | Nominal Diameter Range 2" – 5.50"

LIGHT-DUTY V-INSERT
Worm-Drive Closure
Three Welded Inserts
300-Series SS Band and Insert



Units: inches



LIGHT DUTY V-INSERT CLAMP		Nominal Diameter (Ø)		Screw Type	Insert Angle (S)	Insert Thickness (A)		Insert Apex Width (B)		Insert Depth (C)		Band Thickness (D)		Band Width (E)	
Brand PN	Global PN	in	mm			in	mm	in	mm	in	mm	in	mm	in	mm
000540-001	0373 0001 051**	2.00	50.8	Thumb Wing	40°	0.050	1.27	0.262	6.65	0.141	3.58	0.026	0.66	0.530	13.46
000555-001	0373 0002 051	2.00	50.8	Hex-Head	40°	0.060	1.52	0.262	6.65	0.218	5.54	0.026	0.66	0.500	12.70
000555-01S	0373 0001 053	2.08	52.8	Hex-Head	40°	0.050	1.27	0.262	6.65	0.141	3.58	0.026	0.66	0.500	12.70
000540-002	0373 0001 067**	2.62	66.6	Thumb Wing	40°	0.050	1.27	0.262	6.65	0.141	3.58	0.026	0.66	0.530	13.46
000555-002	0373 0002 067	2.62	66.6	Hex-Head	40°	0.060	1.52	0.262	6.65	0.218	5.54	0.026	0.66	0.500	12.70
000555-02S	0373 0003 067	2.62	66.6	Hex-Head	40°	0.050	1.27	0.262	6.65	0.141	3.58	0.026	0.66	0.500	12.70
002347	0373 0001 073	2.88	73.2	Hex-Head	40°	0.050	1.27	0.210	5.33	0.276	7.01	0.025	0.64	0.500	12.70
000607	0373 0001 076	3.00	76.2	Hex-Head	40°	0.025	0.64	0.143	3.63	0.151	3.84	0.026	0.66	0.500	12.70
002337	0373 0001 078	3.06	77.7	Hex-Head	40°	0.050	1.27	0.265	6.73	0.348	8.84	0.023	0.58	0.500	12.70
000540-003	0373 0001 080**	3.15	80.0	Thumb Wing	40°	0.050	1.27	0.262	6.65	0.141	3.58	0.026	0.66	0.530	13.46
000555-003	0373 0002 080	3.15	80.0	Hex-Head	40°	0.060	1.52	0.262	6.65	0.218	5.54	0.026	0.66	0.500	12.70
000555-03S	0373 0003 080	3.15	80.0	Hex-Head	40°	0.050	1.27	0.262	6.65	0.141	3.58	0.026	0.66	0.500	12.70
000607-001	0373 0002 090	3.54	89.9	Hex-Head	60°	0.025	0.64	0.143	3.63	0.151	3.84	0.026	0.66	0.500	12.70
000551-001	0373 0001 090	3.56	90.4	Hex-Head	40°	0.035	0.89	0.156	3.96	0.218	5.54	0.025	0.64	0.500	12.70
000540-004	0373 0001 093**	3.67	93.2	Thumb Wing	40°	0.050	1.27	0.262	6.65	0.141	3.58	0.026	0.66	0.530	13.46
000555-004	0373 0002 093	3.67	93.2	Hex-Head	40°	0.060	1.52	0.262	6.65	0.218	5.54	0.026	0.66	0.500	12.70
000555-04S	0373 0000 093	3.67	93.2	Hex-Head	40°	0.050	1.27	0.262	6.65	0.141	3.58	0.026	0.66	0.500	12.70
002337-001	0373 0001 095	3.75	95.3	Hex-Head	40°	0.050	1.27	0.265	6.73	0.348	8.84	0.023	0.58	0.500	12.70
000555-005	0373 0001 107	4.21	106.9	Hex-Head	40°	0.060	1.52	0.262	6.65	0.218	5.54	0.026	0.66	0.500	12.70
000555-16S	0373 0002 121	4.75	120.7	Hex-Head	40°	0.035	0.89	0.262	6.65	0.141	3.58	0.026	0.66	0.500	12.70
000540-005	0373 0001 121**	4.78	121.4	Thumb Wing	40°	0.050	1.27	0.262	6.65	0.141	3.58	0.026	0.66	0.530	13.46
000555-13S	0373 0001 140	5.50	139.70	Hex-Head	40°	0.050	1.27	0.262	6.65	0.141	3.58	0.026	0.66	0.500	12.70

Note: Call for a complete list of sizes and materials.

**410 stainless steel screw

Roll Formed V-Clamp

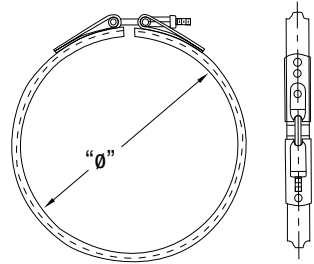
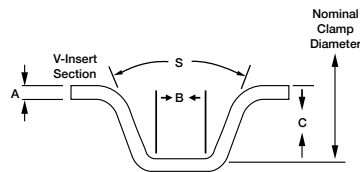
Has a continuous V-retainer and partial outer band, compact profile to fit flanges having limited clearance.



Continuously Formed with Partial Outer-Band | For Turbochargers and Exhausts | Diameter Range 4.53" – 18.88"

ROLL FORMED V-CLAMP

300-Series SS Partial Outer Band
300-Series SS Continuous V-Retainer
Corrosion and Heat-Resistant Steels



ROLL FORMED V-INSERT CLAMP		Nominal Diameter (Ø)		Installation Torque	Insert Angle (S)	Insert Thickness (A)		Insert Apex Width (B)		Insert Depth (C)	
Brand PN	Global PN	in	mm			in	mm	in	mm	in	mm
001114	0373 0602 115	4.53	115.1	75 in.-lb.	38°	0.069	1.75	0.262	6.65	0.141	3.58
001107-001	0373 0601 115	4.53	115.1	75 in.-lb.	38°	0.050	1.27	0.262	6.65	0.141	3.58
001107	0373 0602 130	5.12	130.1	75 in.-lb.	38°	0.050	1.27	0.262	6.65	0.141	3.58
001106	0373 0601 130	5.12	130.1	75 in.-lb.	40°	0.069	1.75	0.286	7.26	0.144	3.64
001071-005	0373 0602 142	5.59	142.0	120 in.-lb.	40°	0.050	1.27	0.262	6.65	0.141	3.58
001107-003	0373 0605 142	5.59	142.0	75 in.-lb.	38°	0.050	1.27	0.262	6.65	0.141	3.58
001096	0373 0001 143	5.62	142.8	35 in.-lb.	40°	0.040	1.02	0.169	4.29	0.174	4.42
001129	0373 0601 148	5.83	148.1	75 in.-lb.	38°	0.069	1.75	0.262	6.65	0.144	3.64
001111-001	0373 0602 171	6.73	170.9	75 in.-lb.	38°	0.069	1.75	0.207	5.26	0.172	4.38
001111	0373 0601 171	6.73	171.0	75 in.-lb.	38°	0.069	1.75	0.207	5.26	0.172	4.38
001107-005	0373 0602 177	6.97	177.0	75 in.-lb.	38°	0.050	1.27	0.262	6.65	0.141	3.58
001102-009	0373 0602 197	7.75	196.9	150 in.-lb.	38°	0.069	1.75	0.262	6.65	0.141	3.58
001107-006	0373 0601 199	7.83	198.9	75 in.-lb.	38°	0.050	1.27	0.262	6.65	0.141	3.58
001071-006	0373 0602 204	8.03	204.0	120 in.-lb.	40°	0.050	1.27	0.262	6.65	0.141	3.58
001108-001	0373 0603 204	8.03	204.0	75 in.-lb.	38°	0.069	1.75	0.262	6.65	0.157	3.99
001126	0373 0101 246	9.69	246.1	75 in.-lb.	38°	0.069	1.75	0.257	6.53	0.200	5.08
001108	0373 0601 246	9.69	246.1	75 in.-lb.	38°	0.069	1.75	0.262	6.65	0.157	3.99
001112	0373 0601 294	11.58	294.1	105 in.-lb.	37°	0.120	3.05	0.362	9.19	0.349	8.85
03730000316	0373 0000 316	12.42	315.5	221 in.-lb.	40°	0.115	2.92	0.370	9.4	0.320	8.13
100178	0373 0601 480	18.88	479.6	120 in.-lb.	26°	0.090	2.29	0.437	11.09	0.380	9.65

Note: Call for a complete list of sizes and materials.

Flex Roll Formed V-Clamp

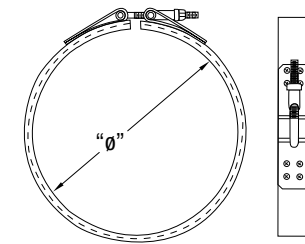
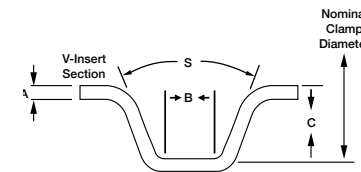
Flex Roll Formed V-Clamp designed for pumps and swimming pool filtration systems.



7/8" Band Width | Partial Outer Band Welded to Two V-Retainers | Added Flexible Band Segment | 28-Degree Insert Angle | Nominal Diameter 21-1/8"

FLEX ROLL FORMED V-CLAMP

1/4", 5/16" and 3/8" Fasteners
7/8" Band Width in 300-Series SS
Two 300-Series SS Inserts



FLEX ROLL FORMED V-CLAMP		Nominal Diameter (Ø)		Installation Torque	Insert Angle (S)	Insert Thickness (A)		Insert Apex Width (B)		Insert Depth (C)	
Brand PN	Global PN	in	mm			in	mm	in	mm	in	mm
100198	0373 0101 537	21.13	536.7	75 in.-lb.	28°	0.100	2.50	1.380	35.10	0.460	11.70
100198-001	0373 0000 549	21.61	536.7	75 in.-lb.	28°	0.100	2.50	1.380	35.10	0.460	11.70

Note: Call for a complete list of sizes and materials.

Uni-Flex V-Clamp

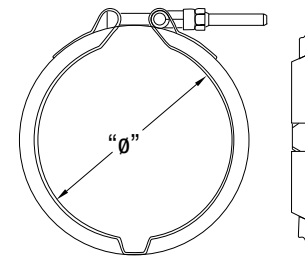
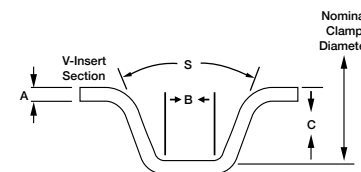
Cost-effective mounting solution for turbochargers and diesel exhaust connections.



Continuously Formed Band Having Two 180° V-Retainers | Added Hinge Point for Flexibility | 40-Degree Insert Angle | Diameter Range 4.19" – 5.88"

UNI-FLEX V-CLAMP

1/4" or M6 Fasteners
300-Series SS Band and Insert
Corrosion-Resistant Steels



UNI-FLEX V-CLAMP		Nominal Diameter (Ø)		Installation Torque	Insert Angle (S)	Insert Thickness (A)		Insert Apex Width (B)		Insert Depth (C)	
Brand PN	Global PN	in	mm			in	mm	in	mm	in	mm
001123	0373 0501 106	4.19	106.4	75 in.-lb.	40°	0.050	1.27	0.245	6.22	0.229	5.81
001010-007	0373 0500 149	5.88	149.4	75 in.-lb.	40°	0.050	1.27	0.400	10.16	0.281	7.13

Note: Call for a complete list of sizes and materials.

E-Series V-Clamp

Economical coupling with continuously formed metal band for ducting, air, and exhaust applications.



Weld-Free Construction | Continuously Formed Band Having Two 180° V-Inserts | Diameter Range 2.81" – 21.25"

902 E-SERIES V-CLAMP

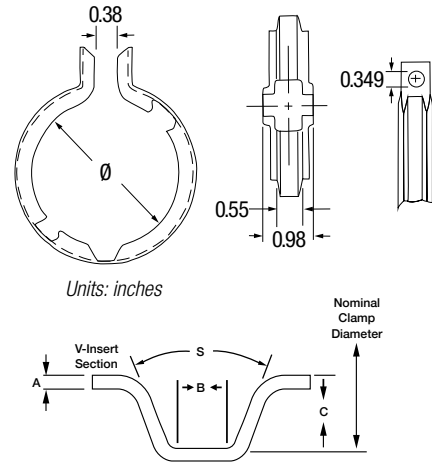
1/4", 5/16" Fasteners
300-Series SS Insert
40° Insert Angle

904 E-SERIES V-CLAMP

1/4", 5/16" Fasteners
CRS Plated Insert
40° Insert Angle

2275 E-SERIES V-CLAMP

1/4", 5/16" Fasteners
50 in.-lb. Tightening Torque
90° Insert Angle



902 E-SERIES V-CLAMP		Nominal Diameter (Ø)		Installation Torque	Insert Angle (S)	Insert Thickness (A)		Insert Apex Width (B)		Insert Depth (C)	
Brand PN	Global PN	in	mm			in	mm	in	mm	in	mm
000902-281	0373 0701 071	2.81	71.4	35 in.-lb.	40°	0.060	1.52	0.207	5.26	0.281	7.14
000902-334	0373 0702 085	3.34	84.8	35 in.-lb.	40°	0.060	1.52	0.207	5.26	0.281	7.14
000902-384	0373 0702 098	3.84	97.5	35 in.-lb.	40°	0.060	1.52	0.207	5.26	0.281	7.14
000902-434	0373 0703 110	4.34	110.2	35 in.-lb.	40°	0.060	1.52	0.207	5.26	0.281	7.14
000902-484	0373 0701 123	4.84	122.9	35 in.-lb.	40°	0.060	1.52	0.207	5.26	0.281	7.14
000902-534	0373 0701 136	5.34	135.6	35 in.-lb.	40°	0.060	1.52	0.207	5.26	0.281	7.14
000902-584	0373 0701 148	5.84	148.3	35 in.-lb.	40°	0.060	1.52	0.207	5.26	0.281	7.14
000902-634	0373 0701 161	6.34	161.0	35 in.-lb.	40°	0.060	1.52	0.207	5.26	0.281	7.14
000902-684	0373 0701 174	6.84	173.7	35 in.-lb.	40°	0.060	1.52	0.207	5.26	0.281	7.14

902 E-SERIES V-CLAMP		Nominal Diameter (Ø)		Installation Torque	Insert Angle (S)	Insert Thickness (A)		Insert Apex Width (B)		Insert Depth (C)	
Brand PN	Global PN	in	mm			in	mm	in	mm	in	mm
000902-281	0373 0701 071	2.81	71.4	35 in.-lb.	40°	0.060	1.52	0.207	5.26	0.281	7.14
000902-334	0373 0702 085	3.34	84.8	35 in.-lb.	40°	0.060	1.52	0.207	5.26	0.281	7.14
000902-384	0373 0702 098	3.84	97.5	35 in.-lb.	40°	0.060	1.52	0.207	5.26	0.281	7.14
000902-434	0373 0703 110	4.34	110.2	35 in.-lb.	40°	0.060	1.52	0.207	5.26	0.281	7.14
000902-484	0373 0701 123	4.84	122.9	35 in.-lb.	40°	0.060	1.52	0.207	5.26	0.281	7.14
000902-534	0373 0701 136	5.34	135.6	35 in.-lb.	40°	0.060	1.52	0.207	5.26	0.281	7.14
000902-584	0373 0701 148	5.84	148.3	35 in.-lb.	40°	0.060	1.52	0.207	5.26	0.281	7.14
000902-634	0373 0701 161	6.34	161.0	35 in.-lb.	40°	0.060	1.52	0.207	5.26	0.281	7.14
000902-684	0373 0701 174	6.84	173.7	35 in.-lb.	40°	0.060	1.52	0.207	5.26	0.281	7.14

904 E-SERIES V-CLAMP		Nominal Diameter (Ø)		Installation Torque	Insert Angle (S)	Insert Thickness (A)		Insert Apex Width (B)		Insert Depth (C)	
Brand PN	Global PN	in	mm			in	mm	in	mm	in	mm
000904-281	0373 0702 071	2.81	71.4	35 in.-lb.	40°	0.060	1.52	0.207	5.25	0.281	7.13
000904-334	0373 0703 085	3.34	84.8	35 in.-lb.	40°	0.060	1.52	0.207	5.25	0.281	7.13
000904-384	0373 0703 098	3.84	97.5	35 in.-lb.	40°	0.060	1.52	0.207	5.25	0.281	7.13
000904-434	0373 0704 110	4.34	110.2	35 in.-lb.	40°	0.060	1.52	0.207	5.25	0.281	7.13
000904-484	0373 0702 123	4.84	122.9	35 in.-lb.	40°	0.060	1.52	0.207	5.25	0.281	7.13
000904-534	0373 0702 136	5.34	135.6	35 in.-lb.	40°	0.060	1.52	0.207	5.25	0.281	7.13
000904-584	0373 0702 148	5.84	148.3	35 in.-lb.	40°	0.060	1.52	0.207	5.25	0.281	7.13
000904-634	0373 0702 161	6.34	161.0	35 in.-lb.	40°	0.060	1.52	0.207	5.25	0.281	7.13
000904-684	0373 0702 174	6.84	173.7	35 in.-lb.	40°	0.060	1.52	0.207	5.25	0.281	7.13

2275 E-SERIES V-CLAMP		Nominal Diameter (Ø)		Installation Torque	Insert Angle (S)	Insert Thickness (A)		Insert Apex Width (B)		Insert Depth (C)	
Brand PN	Global PN	in	mm			in	mm	in	mm	in	mm
002275-013	0373 0801 365	14.38	365.1	50 in.-lb.	90°	0.075	1.905	0.375	9.52	0.410/0.440	10.40/11.10
002275-014	0373 0801 384	15.13	384.2	50 in.-lb.	90°	0.075	1.905	0.375	9.52	0.410/0.440	10.40/11.10
002275-016	0373 0801 435	17.13	435.0	50 in.-lb.	90°	0.075	1.905	0.375	9.52	0.410/0.440	10.40/11.10
002275-018	0373 0801 489	19.25	489.0	50 in.-lb.	90°	0.075	1.905	0.375	9.52	0.410/0.440	10.40/11.10
002275-020	0373 0801 540	21.25	539.8	50 in.-lb.	90°	0.075	1.905	0.375	9.52	0.410/0.440	10.40/11.10

Note: Call for a complete list of sizes and materials.

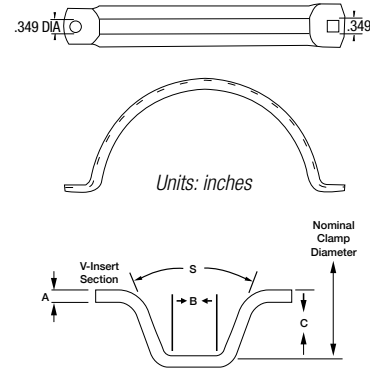
V-Clamp Halves

Two separate V-retainers with two bolts, develops a more uniform clamping load than a single-bolt clamp.



Weld-Free Construction | Diameter Range 2.51" – 6.12"

- V-CLAMP HALVES
- #10, 1.4", 5/16" 3/8" Fasteners
- 300-Series SS Insert
- 410 Stainless Steel Hardware



V-CLAMP HALVES		Nominal Diameter		Installation Torque	Insert Angle (S)	Insert Thickness (A)		Insert Apex Width (B)		Insert Depth (C)	
Brand PN	Global PN	in	mm			in	mm	in	mm	in	mm
002081	0373 0701 064	2.51	63.8	40 in.-lb.	42°	0.081/0.073	2.06/1.85	0.412	10.46	0.235	5.97
002081-001	0373 0701 100	3.93	99.8	40 in.-lb.	42°	0.081/0.073	2.06/1.85	0.412	10.46	0.235	5.97
002104*	0373 0702 070*	2.75	69.9	35 in.-lb.	40°	0.090	2.29	0.550	13.97	0.410	10.41
002185*	0373 0705 098*	3.87	98.3	50 in.-lb.	40°	0.090	2.29	0.582	14.78	0.410	10.41
002233**	0373 0706 098**	3.89	98.3	60 in.-lb.	40°	0.090	2.29	1.520	38.61	0.375	9.53
002233-001**	0373 0701 155**	6.12	155.5	60 in.-lb.	40°	0.090	2.29	1.520	38.61	0.375	9.53

Note: Call for a complete list of sizes and materials.

*Hardware not included

**Full Kit

V-Coupling

- For small turbochargers, EGR systems and exhaust connections
- Two V-retainers connected with a hinge for easy installation
- Weld-free construction enhances corrosion resistance
- Corrosion-/heat-resistant steels
- Diameter Range 2" – 7"
- 6mm Fasteners

Call our sales team to find the part number that fits your application requirements.



Application-Specific Products

Strap Clamps

- Flat, round or special shapes with spot-welded or mechanically clinched construction
- For secure reservoirs, oil coolers, and tanks
- Steel, plated steel, corrosion-resistant, and specialty steels
- #10, 1/4", 5/16", 3/8" or metric fasteners
- Diameter range engineered to fit
- Optional two-bolt/trunnion ends
- Optional Quick Connect or Quick Release latches
- Special holes, painting, rubber lining, and other options available



Mounting Clamps

- Convenient way to mount a cylindrical object
- For canisters filter vessels and piping
- Corrosion-Resistant Steels
- 1/4", 5/16" or metric fasteners
- Diameter range 3" and larger
- Optional clearance holes or weld nuts in base bracket
- Optional rubber-lined band



Muffler & Heat Shield Clamps

- Round or special shapes with spot welded or mechanically clinched construction
- For mufflers, heat shields, and grab bars
- Steel, plated steel, aluminized steel, and corrosion-resistant steel
- 1/4", 5/16", 3/8" or metric fasteners
- Diameter ranges are engineered to fit
- Optional weld or clinch nuts in offset brackets
- Optional Quick Connect latch
- Optional special holes



Product Portfolio Quick Reference

NORMACLAMP®



TORRO®

- | 7.5mm–12mm Band Widths
- | Diameter Range 8mm – 160mm
- | Aluzinc, Galvanized & Other Stainless Steels

Page 66-67



GBS

- | 18mm-30mm Band Widths
- | Diameter Range 17mm – 304mm
- | Aluzinc, Galvanized & Other Stainless Steels
- | Hollow Trunnions

Page 72-73



FGR GRIP E

- | Diameter Range 26mm – 613mm
- | 304 & 316 Stainless Steels
- | EPDM/NBR Inner Ring
- | For Hot or Cold Applications

Page 80



FGR RFP

- | Diameter Range 27mm – 273mm
- | 316 Stainless Steel
- | For Hot or Cold Marine Applications

Page 84



TORRO® WF

- | 9mm & 12mm Band Widths
- | Diameter Range 8mm – 130mm
- | Aluzinc, Galvanized & Other Stainless Steels
- | Constant-Tension Spring Insert

Page 68



NORMAFIX®

RS/RSGU

- | 12mm, 15mm & 20mm Band Widths
- | Diameter Range 6mm – 40mm
- | EPDM Rubber Cushion

Page 74-75



FGR COMBI-GRIP E

- | Diameter Range 39mm – 170mm
- | 316 Stainless Steel
- | EPDM/NBR Inner Ring
- | For Hot or Cold Applications

Page 81



NORMAQUICK®

Quick Connectors

- | For SAE and VDA Connections
- | 0°, 45° & 90° Profiles
- | Injection Molded Thermoplastics
- | For Hot or Cold Applications

Page 86-87



COBRA

- | 7mm & 8mm Band Widths
- | Diameter Range 8mm – 32mm
- | 304 Stainless Steel
- | Bolt-Free Construction

Page 69



NORMACONNECT®

FGR FLEX E

- | Diameter Range 33mm – 1219mm
- | 304 & 316 Stainless Steels
- | EPDM/NBR Inner Ring
- | For Hot or Cold Applications

Page 78



FGR PLAST-GRIP E

- | Diameter Range 39mm – 170mm
- | 304, 316 Stainless Steels
- | EPDM/NBR Inner Ring
- | For Hot or Cold Applications

Page 82



FBS

- | 12mm Band Width
- | Diameter Range 14.5mm – 83mm
- | C75S with Zinc (no chromium)
- | Automatic Re-Tensioning

Page 70-71



FGR REP E

- | Diameter Range 44mm – 1219mm
- | 316 Stainless Steel
- | EPDM/NBR Inner Ring
- | For Hot or Cold Applications

Page 79



FGR GRIP E-FP

- | Diameter Range 33mm – 422mm
- | 316 Stainless Steel
- | EPDM/NBR Inner Ring
- | For Hot or Cold Marine Applications

Page 83

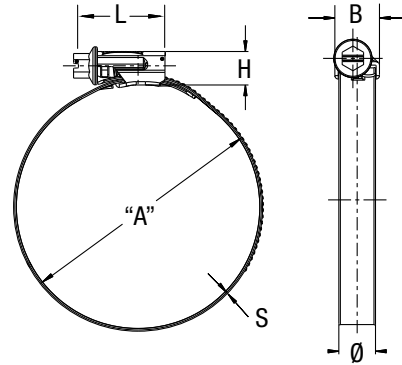
TORRO®

A non-perforated worm-drive hose clamp ideally suited to applications with high mechanical loads.



7.5mm – 12mm Band Widths | Three-Piece Construction | Diameter Range 8mm – 160mm

- TORRO (W2)**
Slotted Hex Screw
Non-Perforated Band
Asymmetric Housing
- TORRO (W3)**
Slotted Hex Screw
Non-Perforated Band
Asymmetric Housing
- TORRO (W4)**
Slotted Hex Screw
Non-Perforated Band
Asymmetric Housing
- TORRO (W5)**
Slotted Hex Screw
Non-Perforated Band
Asymmetric Housing



Band Width (Ø)		B	H	L	S	TORRO (W2)	TORRO (W3)	TORRO (W4)	TORRO (W5)	inches		mm (A)	
inches	mm	mm	mm	mm	mm					min	max	min	max
3/8	9	13	11	26	0.65	0126 6702 140	0126 6703 140	0126 6704 140	0126 6705 140	5-1/8	5-15/16	130	150
1/2	12	14.6	12.5	30	0.8	0136 6702 021	0136 6703 021	0136 6704 021	0136 6705 021	5/8	1-1/16	16	27
1/2	12	14.6	12.5	30	0.8	0136 6702 026	0136 6703 026	0136 6704 026	0136 6705 026	13/16	1-1/4	20	32
1/2	12	14.6	12.5	30	0.8	0136 6702 029	0136 6703 029	0136 6704 029	0136 6705 029	15/16	1-3/8	23	35
1/2	12	14.6	12.5	30	0.8	0136 6702 032	0136 6703 032	0136 6704 032	0136 6705 032	1	1-9/16	25	40
1/2	12	14.6	12.5	30	0.8	0136 6702 037	0136 6703 037	0136 6704 037	0136 6705 037	1-3/16	1-3/4	30	45
1/2	12	14.6	12.5	30	0.8	0136 6702 043	0136 6703 043	0136 6704 043	0136 6705 043	1-3/8	2	35	50
1/2	12	14.6	12.5	30	0.8	0136 6702 050	0136 6703 050	0136 6704 050	0136 6705 050	1-9/16	2-3/8	40	60
1/2	12	14.6	12.5	30	0.8	0136 6702 060	0136 6703 060	0136 6704 060	0136 6705 060	2	2-3/4	50	70
1/2	12	14.6	12.5	30	0.8	0136 6702 070	0136 6703 070	0136 6704 070	0136 6705 070	2-3/8	3-1/8	60	80
1/2	12	14.6	12.5	36	0.8	0136 6702 080	0136 6703 080	0136 6704 080	0136 6705 080	2-3/4	3-9/16	70	90
1/2	12	14.6	12.5	36	0.8	0136 6702 090	0136 6703 090	0136 6704 090	0136 6705 090	3-1/8	3-15/16	80	100
1/2	12	14.6	12.5	36	0.8	0136 6702 100	0136 6703 100	0136 6704 100	0136 6705 100	3-9/16	4-5/16	90	110
1/2	12	14.6	12.5	36	0.8	0136 6702 110	0136 6703 110	0136 6704 110	0136 6705 110	3-15/16	4-3/4	100	120
1/2	12	14.6	12.5	36	0.8	0136 6702 120	0136 6703 120	0136 6704 120	0136 6705 120	4-5/16	5-1/8	110	130
1/2	12	14.6	12.5	36	0.8	0136 6702 130	0136 6703 130	0136 6704 130	0136 6705 130	4-3/4	5-1/2	120	140
1/2	12	14.6	12.5	36	0.8	0136 6702 140	0136 6703 140	0136 6704 140	0136 6705 140	5-1/8	5-15/16	130	150
1/2	12	14.6	12.5	36	0.8	0136 6702 150	0136 6703 150	0136 6704 150	0136 6705 150	5-1/2	6-5/16	140	160

Note: Call for a complete list of part numbers and materials.

Available in these materials:

W1	W2	W3	W4	W5
X	X	X	X	X

Band Width (Ø)		B	H	L	S	TORRO (W2)	TORRO (W3)	TORRO (W4)	TORRO (W5)	inches		mm (A)	
inches	mm	mm	mm	mm	mm					min	max	min	max
5/16	7.5	11.5	9	17	0.6	0116 6602 010	0116 6603 010	-	-	5/16	1/2	8	12
5/16	7.5	11.5	9	17	0.6	0116 6602 013	0116 6603 013	-	-	3/8	5/8	10	16
5/16	7.5	11.5	9	17	0.6	0116 6602 015	0116 6603 015	-	-	1/2	11/16	12	18
5/16	7.5	11.5	9	17	0.6	0116 6602 017	0116 6603 017	-	-	1/2	7/8	12	22
5/16	7.5	11.5	9	17	0.6	0116 6602 021	0116 6603 021	-	-	5/8	1-1/16	16	27
3/8	9	13	11	21	0.65	0126 6702 010	0126 6703 010	0126 6704 010	-	5/16	1/2	8	12
3/8	9	13	11	21	0.65	0126 6702 013	0126 6703 013	0126 6704 013	0126 6705 013	5/16	5/8	8	16
3/8	9	13	11	24	0.65	0126 6702 017	0126 6703 017	0126 6704 017	0126 6705 017	1/2	7/8	12	22
3/8	9	13	11	24	0.65	0126 6702 021	0126 6703 021	0126 6704 021	0126 6705 021	5/8	1-1/16	16	27
3/8	9	13	11	24	0.65	0126 6702 026	0126 6703 026	0126 6704 026	0126 6705 026	13/16	1-1/4	20	32
3/8	9	13	11	24	0.65	0126 6702 029	0126 6703 029	0126 6704 029	0126 6705 029	15/16	1-3/8	23	35
3/8	9	13	11	26	0.65	0126 6702 032	0126 6703 032	0126 6704 032	0126 6705 032	1	1-9/16	25	40
3/8	9	13	11	26	0.65	0126 6702 037	0126 6703 037	0126 6704 037	0126 6705 037	1-3/16	1-3/4	30	45
3/8	9	13	11	26	0.65	0126 6702 041	0126 6703 041	0126 6704 041	0126 6705 041	1-3/8	2	32	50
3/8	9	13	11	26	0.65	0126 6702 050	0126 6703 050	0126 6704 050	0126 6705 050	1-9/16	2-3/8	40	60
3/8	9	13	11	26	0.65	0126 6702 060	0126 6703 060	0126 6704 060	0126 6705 060	2	2-3/4	50	70
3/8	9	13	11	26	0.65	0126 6702 070	0126 6703 070	0126 6704 070	0126 6705 070	2-3/8	3-1/8	60	80
3/8	9	13	11	26	0.65	0126 6702 080	0126 6703 080	0126 6704 080	0126 6705 080	2-3/4	3-9/16	70	90
3/8	9	13	11	26	0.65	0126 6702 090	0126 6703 090	0126 6704 090	0126 6705 090	3-1/8	3-15/16	80	100
3/8	9	13	11	26	0.65	0126 6702 100	0126 6703 100	0126 6704 100	0126 6705 100	3-9/16	4-5/16	90	110
3/8	9	13	11	26	0.65	0126 6702 110	0126 6703 110	0126 6704 110	0126 6705 110	3-15/16	4-3/4	100	120
3/8	9	13	11	26	0.65	0126 6702 120	0126 6703 120	0126 6704 120	0126 6705 120	4-5/16	5-1/8	110	130
3/8	9	13	11	26	0.65	0126 6702 130	0126 6703 130	0126 6704 130	0126 6705 130	4-3/4	5-1/2	120	140

Additional TORRO® Versions (call for details)



TORRO® WF

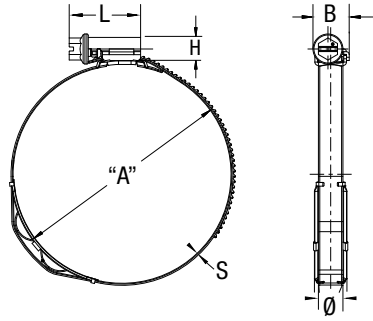
A constant-tension clamp equipped with a spring insert on the inside of the clamp band.



9mm & 12mm Band Widths | Three-Piece Construction | Diameter Range 8mm – 110mm

TORRO WF (W3)
Combi-Screw
Non-Perforated Band with Spring
Asymmetric Housing

TORRO WF (W4)
Combi-Screw
Non-Perforated Band with Spring
Asymmetric Housing



Band Width (Ø)		B	H	L	S	TORRO WF (W3)	TORRO WF (W4)	inches		mm (A)	
inches	mm	mm	mm	mm	mm			min	max	min	max
3/8	9	13	11	21	0.65	0127 6708 013	0127 6711 013	5/16	5/8	8	16
3/8	9	13	11	24	0.65	0127 6708 018	0127 6711 015	1/2	11/16	12	18
3/8	9	13	11	24	0.65	0127 6708 016	0127 6711 016	1/2	13/16	12	20
3/8	9	13	11	24	0.65	0127 6708 017	0127 6711 017	1/2	7/8	12	22
3/8	9	13	11	24	0.65	0127 6708 020	0127 6711 020	5/8	1	16	25
3/8	9	13	11	24	0.65	0127 6708 021	0127 6711 021	5/8	1-1/16	16	27
3/8	9	13	11	24	0.65	0127 6708 026	0127 6711 026	13/16	1-1/4	20	32
3/8	9	13	11	24	0.65	0127 6708 029	0127 6711 029	15/16	1-3/8	23	35
3/8	9	13	11	26	0.65	0127 6708 032	0127 6711 032	1	1-9/16	25	40
3/8	9	13	11	26	0.65	0127 6708 037	0127 6711 037	1-3/16	1-3/4	30	45
3/8	9	13	11	26	0.65	0127 6708 041	0127 6711 041	1-3/8	2	32	50
3/8	9	13	11	26	0.65	0127 6708 050	0127 6711 050	1-9/16	2-3/8	40	60
3/8	9	13	11	26	0.65	0127 6708 055	0127 6711 055	1-3/4	2-9/16	45	65
3/8	9	13	11	26	0.65	0127 6708 060	0127 6711 060	2	2-3/4	50	70
3/8	9	13	11	26	0.65	0127 6708 070	0127 6711 070	2-3/8	3-1/8	60	80
3/8	9	13	11	26	0.65	0127 6708 080	0127 6711 080	2-3/4	3-9/16	70	90
3/8	9	13	11	26	0.65	0127 6708 090	0127 6711 090	3-1/8	3-15/16	80	100
3/8	9	13	11	26	0.65	0127 6708 100	0127 6711 100	3-9/16	4-5/16	90	110
3/8	9	13	11	26	0.65	0127 6708 110	0127 6711 110	3-15/16	4-3/4	100	120
3/8	9	13	11	26	0.65	0127 6708 120	0127 6711 120	4-3/8	5-1/8	110	130
1/2	12	14.6	12.5	30	0.8	0137 6708 021	0137 6711 021	5/8	1-1/16	16	27
1/2	12	14.6	12.5	30	0.8	0137 6708 026	0137 6711 026	13/16	1-1/4	20	32
1/2	12	14.6	12.5	30	0.8	0137 6708 032	0137 6711 032	1	1-9/16	25	40
1/2	12	14.6	12.5	30	0.8	0137 6708 037	0137 6711 037	1-3/16	1-3/4	30	45
1/2	12	14.6	12.5	30	0.8	0137 6708 043	0137 6711 043	1-3/8	2	35	50
1/2	12	14.6	12.5	30	0.8	0137 6708 050	0137 6711 050	1-9/16	2-3/8	40	60
1/2	12	14.6	12.5	30	0.8	0137 6708 060	0137 6711 060	2	2-3/4	50	70
1/2	12	14.6	12.5	30	0.8	0137 6708 070	0137 6711 070	2-3/8	3-1/8	60	80
1/2	12	14.6	12.5	36	0.8	0137 6708 080	0137 6711 080	2-3/4	3-9/16	70	90
1/2	12	14.6	12.5	36	0.8	0137 6708 090	0137 6711 090	3-1/8	3-15/16	80	100
1/2	12	14.6	12.5	36	0.8	0137 6708 100	0137 6711 100	3-9/16	4-5/16	90	110

Note: Call for a complete list of part numbers and materials.

Available in these materials:

W1	W2	W3	W4	W5
		X	X	

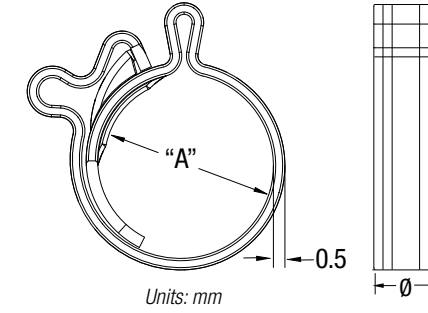
COBRA

One-piece, bolt-free, low-profile "crimp" style connectors.



7mm & 8mm Band Widths | Bolt-Free | All 304 Stainless Steel | Diameter Range 8mm – 32mm

COBRA (W4)
Bolt-Free Crimp Style
7mm & 8mm Bands in 304 Stainless Steel (W4)
Color-Coded For Field Visibility
One-Piece Construction



Band Width (Ø)		COBRA (W4)	Color	Nominal Diameter		inches		mm (A)	
inches	mm			inches	mm	min	max	min	max
1/4	7	0107 7000 075	White	5/16	7.5	5/16	3/8	8	9
1/4	7	0107 7000 008	Yellow	5/16	8	5/16	3/8	8.5	9.5
1/4	7	0107 7000 085	Green	5/16	8.5	3/8	3/8	9	10
1/4	7	0107 7000 009	Purple	3/8	9	3/8	3/8	9.5	10.5
1/4	7	0107 7000 095	Black	3/8	9.5	3/8	7/16	10	11
1/4	7	0107 7000 010	White	3/8	10	3/8	7/16	10.5	11.5
1/4	7	0107 7000 105	Yellow	7/16	10.5	7/16	1/2	11	12
1/4	7	0107 7000 011	Green	7/16	11	7/16	1/2	11.5	12.5
1/4	7	0107 7000 115	Purple	7/16	11.5	1/2	1/2	12	13
5/16	8	0108 7006 012	Black	1/2	12	1/2	9/16	12.5	14
5/16	8	0108 7006 013	Yellow	1/2	13	1/2	5/8	13.5	15
5/16	8	0108 7006 014	Purple	9/16	14	9/16	5/8	14.5	16
5/16	8	0108 7006 015	White	5/8	15	5/8	11/16	15.5	17
5/16	8	0108 7006 016	Green	5/8	16	5/8	3/4	16.5	18
5/16	8	0108 7006 017	Black	11/16	17	11/16	3/4	17.5	19
5/16	8	0108 7006 018	Yellow	3/4	18	3/4	13/16	18.5	20
5/16	8	0108 7006 019	Purple	3/4	19	3/4	13/16	19.5	21
5/16	8	0108 7006 020	White	13/16	20	13/16	7/8	20.5	22
5/16	8	0108 7006 021	Green	13/16	21	13/16	7/8	21.5	23
5/16	8	0108 7006 022	Black	7/8	22	7/8	15/16	22.5	24
5/16	8	0108 7006 023	Yellow	7/8	23	7/8	1	23.5	25
5/16	8	0108 7006 024	Purple	15/16	24	15/16	11/16	24.5	26
5/16	8	0108 7006 025	White	1	25	1	11/16	25.5	27
5/16	8	0108 7006 026	Green	11/16	26	1-1/16	1-1/8	26.5	28
5/16	8	0108 7006 027	Black	11/16	27	1-1/16	1-1/8	27.5	29
5/16	8	0108 7006 028	Yellow	1-1/8	28	1-1/8	1-3/16	28.5	30
5/16	8	0108 7006 029	Purple	1-1/8	29	1-1/8	1-1/4	29.5	31
5/16	8	0108 7006 030	White	1-3/16	30	1-3/16	1-1/4	30.5	32

Note: Call for a complete list of part numbers and materials.

Available in these materials:

W1	W2	W3	W4	W5
			X	

COBRA Install Pliers

These handheld pliers enable precise installation and removal. The tips of the pliers' heads enable a secure grip on the clip's tool gripping points. The integrated smooth-running spring element keeps the pliers open continuously, allowing you to work quickly and comfortably.



CHT1
0110 8420

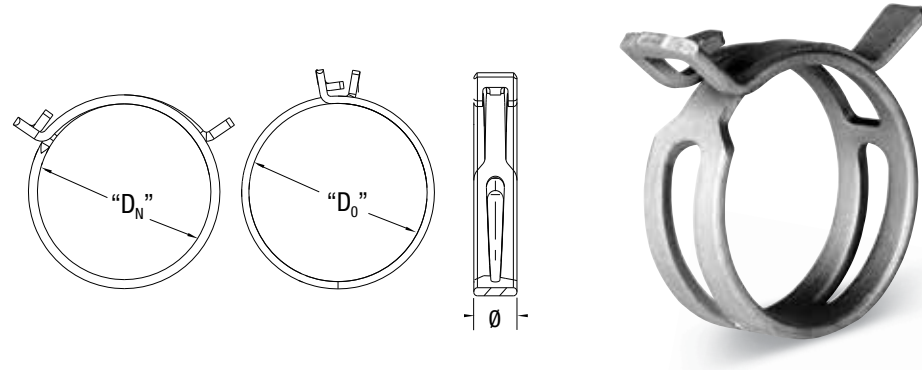
FBS

Constant-tension hose clamps, ideal for spigot systems that are exposed to significant temperature fluctuations.



12mm Band Width | C75S with Zinc/Aluminum Coating | Diameter Range 13mm – 83mm

- FBS**
- Chromium-Free Coating
- 12mm Band in C75S
- Two-Color Finish Options
- Dynamic One-Piece Construction



Band Width (Ø)		FBS C75S		D _n		D ₀ (min)	
inches	mm	BLACK FINISH	SILVER FINISH	inches	mm	inches	mm
1/2	12	0112 8024 013	0112 8074 013	1/2	13	9/16	14.5
1/2	12	0112 8024 014	0112 8074 014	9/16	14	5/8	15.8
1/2	12	0112 8024 015	0112 8074 015	9/16	15	11/16	16.8
1/2	12	0112 8024 016	0112 8074 016	5/8	16	11/16	17.5
1/2	12	0112 8024 017	0112 8074 017	11/16	17	3/4	18.5
1/2	12	0112 8024 018	0112 8074 018	11/16	18	3/4	19
1/2	12	0112 8024 019	0112 8074 019	3/4	19	13/16	21
1/2	12	0112 8024 020	0112 8074 020	13/16	20	7/8	21.6
1/2	12	0112 8024 021	0112 8074 021	13/16	21	7/8	22.5
1/2	12	0112 8024 022	0112 8074 022	7/8	22	15/16	24.5
1/2	12	0112 8024 023	0112 8074 023	15/16	23	1	24.7
1/2	12	0112 8024 024	0112 8074 024	15/16	24	1	26
1/2	12	0112 8024 025	0112 8074 025	1	25	1-1/16	27
1/2	12	0112 8024 026	0112 8074 026	1	26	1-1/8	28
1/2	12	0112 8024 027	0112 8074 027	1-1/16	27	1-1/8	29
1/2	12	0112 8024 028	0112 8074 028	1-1/8	28	1-3/16	30.5
1/2	12	0112 8024 029	0112 8074 029	1-1/8	29	1-1/4	31.5
1/2	12	0112 8024 030	0112 8074 030	1-3/16	30	1-1/4	32.5
1/2	12	0112 8024 032	0112 8074 032	1-1/4	32	1-3/8	34.5

Band Width (Ø)		FBS C75S		D _n		D ₀ (min)	
inches	mm	BLACK FINISH	SILVER FINISH	inches	mm	inches	mm
1/2	12	0112 8024 035	0112 8074 035	1-3/8	35	1-1/2	38
1/2	12	0112 8024 036	0112 8074 036	1-7/16	36	1-9/16	39
1/2	12	0112 8024 038	0112 8074 038	1-1/2	38	1-5/8	41.5
1/2	12	0112 8024 040	0112 8074 040	1-9/16	40	1-11/16	42.5
1/2	12	0112 8024 042	0112 8074 042	1-5/8	42	1-3/4	44.5
1/2	12	-	0112 8074 044	1-3/4	44	1-13/16	46.5
1/2	12	0112 8024 046	0112 8074 046	1-13/16	46	1-15/16	49
1/2	12	0112 8024 047	0112 8074 047	1-7/8	47	2	50
1/2	12	-	0112 8074 050	2	50	2-1/16	53
1/2	12	-	-	2	51	2-1/8	54
1/2	12	-	-	2-1/16	53	2-3/16	56
1/2	12	0112 8024 055	0112 8074 055	2-3/16	55	2-1/4	58
1/2	12	0112 8024 060	0112 8074 060	2-3/8	60	2-1/2	63
1/2	12	-	0112 8074 065	2-9/16	65	2-11/16	68
1/2	12	0112 8024 070	0112 8074 070	2-3/4	70	2-7/8	73
1/2	12	0112 8024 075	0112 8074 075	2-15/16	75	3-1/16	78
1/2	12	-	-	3-1/8	80	3-1/4	83

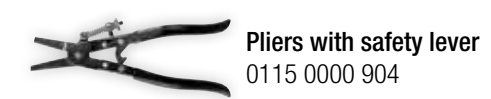
Note: Call for a complete list of sizes and materials.

FBS Handheld Tools

For professional installation of FBS clamps, two types of handheld pliers are available depending on the band width involved:

Pliers: for small nominal diameters.

Pliers with safety lever: for all diameters, with integrated safety lever for fixing the pliers in position.



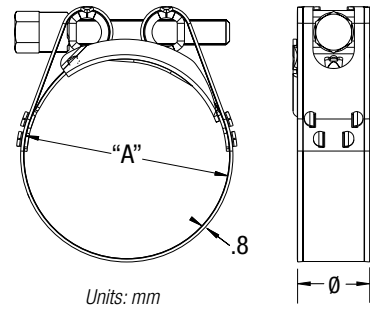
GBS

Heavy-Duty clamp, ideal for fastening compressed air hoses with high degrees of hardness or plastic/steel reinforcement.



18mm – 30mm Band Widths | Exceptionally High Tensile Force | Diameter Range 17mm – 304mm

- GBS (W1)**
Heavy-Duty T-Bolt with Hollow Trunnions
(W1) Stainless Steel Rounded Band with Bridge
- GBS (W2)**
Heavy-Duty T-Bolt with Hollow Trunnions
(W2) Stainless Steel Rounded Band with Bridge
- GBS (W4)**
Heavy-Duty T-Bolt with Hollow Trunnions
(W4) Stainless Steel Rounded Band with Bridge
- GBS (W5)**
Heavy-Duty T-Bolt with Hollow Trunnions
(W5) Stainless Steel Rounded Band with Bridge



Band Width (Ø)		GBS (W1)	GBS (W2)	GBS (W4)	GBS (W5)	inches		mm (A)	
inches	mm					min	max	min	max
11/16	18	0591 7181 018	0591 7182 018	0591 7184 018	0591 7185 018	11/16	3/4	17	19
11/16	18	0591 7181 020	0591 7182 020	0591 7184 020	0591 7185 020	3/4	13/16	19	21
11/16	18	0591 7181 022	0591 7182 022	0591 7184 022	0591 7185 022	13/16	15/16	21	23
11/16	18	0591 7181 024	0591 7182 024	0591 7184 024	0591 7185 024-1	15/16	1	23	25
11/16	18	0591 7181 026	0591 7182 026	0591 7184 026	0591 7185 026	1	1-1/9	25	27
11/16	18	0591 7181 028	0591 7182 028	0591 7184 028	0591 7185 028	1-1/16	1-1/8	27	29
11/16	18	0591 7181 030	0591 7182 030	0591 7184 030	0591 7185 030	1-1/8	1-1/4	29	31
11/16	18	0591 7181 033	0591 7182 033	0591 7184 033	0591 7185 033	1-1/4	1-1/3	31	34
11/16	18	0591 7181 036	0591 7182 036	0591 7184 036	0591 7185 036	1-5/16	1-4/9	34	37
11/16	18	0591 7181 039	0591 7182 039	0591 7184 039	0591 7185 039	1-7/16	1-5/9	37	40
11/16	18	0591 7181 042	0591 7182 042	0591 7184 042	0591 7185 042	1-9/16	1-2/3	40	43
13/16	20	0591 7201 045	0591 7202 045	0591 7204 045	0591 7205 045	1-11/16	1-7/8	43	47
13/16	20	0591 7201 049	0591 7202 049	0591 7204 049	0591 7205 049	1-7/8	2	47	51
13/16	20	0591 7201 053	0591 7202 053	0591 7204 053	0591 7205 053	2	2-1/5	51	55
13/16	20	0591 7201 057	0591 7202 057	0591 7204 057	0591 7205 057	2-3/16	2-1/3	55	59
13/16	20	0591 7201 061	0591 7202 061	0591 7204 061	0591 7205 061	2-5/16	2-1/2	59	63
13/16	20	0591 7201 066	0591 7202 066	0591 7204 066	0591 7205 066	2-1/2	2-2/3	63	68
1	25	0591 7251 071	0591 7252 071	0591 7254 071	0591 7255 071	2-11/16	2-7/8	68	73
1	25	0591 7251 076	0591 7252 076	0591 7254 076	0591 7255 076	2-7/8	3-1/8	73	79
1	25	0591 7251 082	0591 7252 082	0591 7254 082	0591 7255 082	3-1/8	3-3/8	79	85
1	25	0591 7251 088	0591 7252 088	0591 7254 088	0591 7255 088	3-3/8	3-5/9	85	91
1	25	0591 7251 094	0591 7252 094	0591 7254 094	0591 7255 94	3-9/16	3-4/5	91	97
1	25	0591 7251 101	0591 7252 101	0591 7254 101	0591 7255 101	3-13/16	4-1/6	97	104
1	25	0591 7251 108	0591 7252 108	0591 7254 108	0591 7255 108	4-1/16	4-4/9	104	112
1	25	0591 7251 117	0591 7252 117	0591 7254 117	0591 7255 117	4-7/16	4-3/4	112	121
1	25	0591 7251 126	0591 7252 126	0591 7254 126	0591 7255 126	4-3/4	5-1/8	121	130

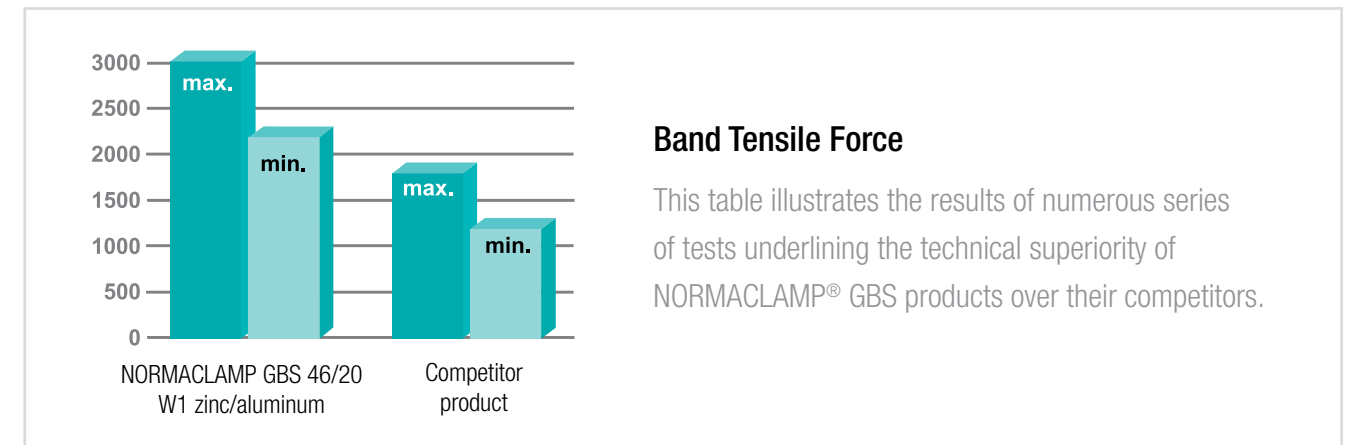
Band Width (Ø)		GBS (W1)	GBS (W2)	GBS (W4)	GBS (W5)	inches		mm (A)	
inches	mm					min	max	min	max
1-3/16	30	0591 7301 135	0591 7302 135	0591 7304 135	0591 7305 135	5-1/8	5-1/2	130	140
1-3/16	30	0591 7301 145	0591 7302 145	0591 7304 145	0591 7305 145	5-1/2	5-8/9	140	150
1-3/16	30	0591 7301 156	0591 7302 156	0591 7304 156	0591 7305 156	5-15/16	6-3/8	150	162
1-3/16	30	0591 7301 168	0591 7302 168	0591 7304 168	0591 7305 168	6-3/8	6-7/8	162	174
1-3/16	30	0591 7301 181	0591 7302 181	0591 7304 181	0591 7305 181	6-7/8	7-3/8	174	187
1-3/16	30	0591 7301 194	0591 7302 194	0591 7304 194	0591 7305 194	7-3/8	7-7/8	187	200
1-3/16	30	0591 7301 207	0591 7302 207	0591 7304 207	0591 7305 207	7-7/8	8-3/8	200	213
1-3/16	30	0591 7301 220	0591 7302 220	0591 7304 220	0591 7305 220	8-3/8	8-7/8	213	226
1-3/16	30	0591 7301 233	0591 7302 233	0591 7304 233	0591 7305 233	8-7/8	9-4/9	226	239
1-3/16	30	0591 7301 246	0591 7302 246	0591 7304 246	0591 7305 246	9-7/16	9-8/9	239	252
1-3/16	30	0591 7301 259	0591 7302 259	0591 7304 259	0591 7305 259	9-15/16	10-4/9	252	265
1-3/16	30	0591 7301 272	0591 7302 272	0591 7304 272	0591 7305 272	10-7/16	10-8/9	265	278
1-3/16	30	0591 7301 285	0591 7302 285	0591 7304 285	0591 7305 285	11	11-4/9	279	291
1-3/16	30	0591 7301 298	0591 7302 298	0591 7304 298	0591 7305 298	11-1/2	12	292	304

Note: Call for a complete list of part numbers and materials.

Available in these materials:

W1	W2	W3	W4	W5
X	X		X	X

Additional GBS Versions Available (call for details)



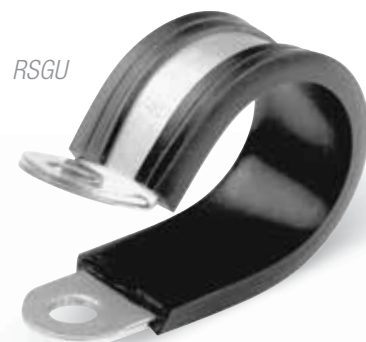
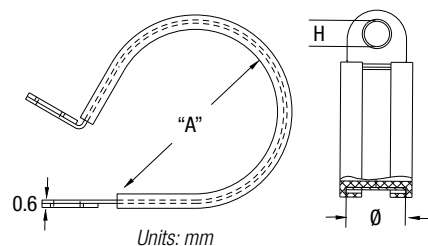
RS/RSGU

Retaining clip for pipes, cables, cable harnesses, cable-protection pipes, hoses and other lines.



12mm – 20mm Band Widths Aluzinc/Galvanized or 316 Stainless Steel Diameter Range 6mm – 40mm

- RS/RSGU (W1)**
Aluzinc/Galvanized Band
Reinforced Band End
RSGU w/EPDM Rubber Cushion
- RS/RSGU (W5)**
316 Stainless Steel Band
Reinforced Band End
RSGU w/EPDM Rubber Cushion



Band Width (Ø)		Hole Dia. (H)	RSGU (W1) with cushion		RSGU (W5) with cushion	
inches	mm		inches	mm (A)	inches	mm (A)
1/2	12	5.3	0941 8912 006	0941 7712 006	1/4	6
1/2	12	5.3	0941 8912 008	0941 7712 008	5/16	8
1/2	12	5.3	0941 8912 010	0941 7712 010	3/8	10
1/2	12	5.3	0941 8912 012	0941 7712 012	1/2	12
1/2	12	5.3	0941 8912 013	0941 7712 013	1/2	13
1/2	12	5.3	0941 8912 014	0941 7712 014	9/16	14
1/2	12	5.3	0941 8912 015	0941 7712 015	5/8	15
1/2	12	5.3	0941 8912 016	0941 7712 016	5/8	16
1/2	12	5.3	0941 8912 018	0941 7712 018	3/4	18
1/2	12	5.3	0941 8912 019	0941 7712 019	3/4	19
1/2	12	5.3	0941 8912 020	0941 7712 020	13/16	20
1/2	12	5.3	0941 8912 021	0941 7712 021	13/16	21
1/2	12	5.3	0941 8912 022	0941 7712 022	7/8	22
9/16	15	6.4	0941 8915 006	0941 7715 006	1/4	6
9/16	15	6.4	0941 8915 008	0941 7715 008	5/16	8
9/16	15	6.4	0941 8915 010	0941 7715 010	3/8	10
9/16	15	6.4	0941 8915 012	0941 7715 012	1/2	12
9/16	15	6.4	0941 8915 013	0941 7715 013	1/2	13
9/16	15	6.4	0941 8915 014	0941 7715 014	9/16	14
9/16	15	6.4	0941 8915 015	0941 7715 015	5/8	15
9/16	15	6.4	0941 8915 016	0941 7715 016	5/8	16
9/16	15	6.4	0941 8915 018	0941 7715 018	3/4	18
9/16	15	6.4	0941 8915 019	0941 7715 019	3/4	19
9/16	15	6.4	0941 8915 020	0941 7715 020	13/16	20
9/16	15	6.4	0941 8915 021	0941 7715 021	13/16	21
9/16	15	6.4	0941 8915 022	0941 7715 022	7/8	22
9/16	15	6.4	0941 8915 023	0941 7715 023	7/8	23
9/16	15	6.4	0941 8915 025	0941 7715 025	1	25

Band Width (Ø)		Hole Dia. (H)	RSGU (W1) with cushion		RSGU (W5) with cushion	
inches	mm		inches	mm (A)	inches	mm (A)
9/16	15	6.4	0941 8915 026	0941 7715 026	1-1/16	26
9/16	15	6.4	0941 8915 028	0941 7715 028	1-1/8	28
9/16	15	6.4	0941 8915 030	0941 7715 030	1-3/16	30
9/16	15	6.4	0941 8915 032	0941 7715 032	1-1/4	32
9/16	15	6.4	0941 8915 034	0941 7715 034	1-5/16	34
9/16	15	6.4	0941 8915 035	0941 7715 035	1-3/8	35
13/16	20	8.4	0941 8920 010	0941 7720 010	3/8	10
13/16	20	8.4	0941 8920 012	0941 7720 012	1/2	12
13/16	20	8.4	0941 8920 013	0941 7720 013	1/2	13
13/16	20	8.4	0941 8920 014	0941 7720 014	9/16	14
13/16	20	8.4	0941 8920 015	0941 7720 015	5/8	15
13/16	20	8.4	0941 8920 016	0941 7720 016	5/8	16
13/16	20	8.4	0941 8920 018	0941 7720 018	3/4	18
13/16	20	8.4	0941 8920 019	0941 7720 019	3/4	19
13/16	20	8.4	0941 8920 020	0941 7720 020	13/16	20
13/16	20	8.4	0941 8920 021	0941 7720 021	13/16	21
13/16	20	8.4	0941 8920 022	0941 7720 022	7/8	22
13/16	20	8.4	0941 8920 023	0941 7720 023	7/8	23
13/16	20	8.4	0941 8920 024	0941 7720 024	15/16	24
13/16	20	8.4	0941 8920 025	0941 7720 025	1	25
13/16	20	8.4	0941 8920 028	0941 7720 028	11/8	28
13/16	20	8.4	0941 8920 030	0941 7720 030	13/16	30
13/16	20	8.4	0941 8920 032	0941 7720 032	11/4	32
13/16	20	8.4	0941 8920 034	0941 7720 034	15/16	34
13/16	20	8.4	0941 8920 035	0941 7720 035	13/8	35
13/16	20	8.4	0941 8920 036	0941 7720 036	17/16	36
13/16	20	8.4	0941 8920 038	0941 7720 038	11/2	38
13/16	20	8.4	0941 8920 040	0941 7720 040	19/16	40

Note: Call for a complete list of sizes and materials.

Available in these materials:

W1	W2	W3	W4	W5
x		x	x	x

RS (without EPDM Cushion)

Band Width (Ø)		Hole Dia. (H)	RS (W1) without cushion		RS (W5) without cushion	
inches	mm		inches	mm	inches	mm
1/2	12	5.3	0411 8912 006	0411 7712 006	1/4	6
1/2	12	5.3	0411 8912 008	0411 7712 008	5/16	8
1/2	12	5.3	0411 8912 010	0411 7712 010	3/8	10
1/2	12	5.3	0411 8912 012	0411 7712 012	1/2	12
1/2	12	5.3	0411 8912 013	0411 7712 013	1/2	13
1/2	12	5.3	0411 8912 014	0411 7712 014	9/16	14
1/2	12	5.3	0411 8912 015	0411 7712 015	5/8	15
1/2	12	5.3	0411 8912 016	0411 7712 016	5/8	16
1/2	12	5.3	0411 8912 018	0411 7712 018	3/4	18
1/2	12	5.3	0411 8912 019	0411 7712 019	3/4	19
1/2	12	5.3	0411 8912 020	0411 7712 020	13/16	20
1/2	12	5.3	0411 8912 021	0411 7712 021	13/16	21
1/2	12	5.3	0411 8912 022	0411 7712 022	7/8	22
9/16	15	6.4	0411 8915 006	0411 7715 006	1/4	6
9/16	15	6.4	0411 8915 008	0411 7715 008	5/16	8
9/16	15	6.4	0411 8915 010	0411 7715 010	3/8	10
9/16	15	6.4	0411 8915 012	0411 7715 012	1/2	12
9/16	15	6.4	0411 8915 013	0411 7715 013	1/2	13
9/16	15	6.4	0411 8915 014	0411 7715 014	9/16	14
9/16	15	6.4	0411 8915 015	0411 7715 015	5/8	15
9/16	15	6.4	0411 8915 016	0411 7715 016	5/8	16
9/16	15	6.4	0411 8915 018	0411 7715 018	3/4	18
9/16	15	6.4	0411 8915 019	0411 7715 019	3/4	19
9/16	15	6.4	0411 8915 020	0411 7715 020	13/16	20
9/16	15	6.4	0411 8915 021	0411 7715 021	13/16	21
9/16	15	6.4	0411 8915 022	0411 7715 022	7/8	22
9/16	15	6.4	0411 8915 023	0411 7715 023	7/8	23
9/16	15	6.4	0411 8915 025	0411 7715 025	1	25

Note: Call for a complete list of sizes and materials.

Available in these materials:

W1	W2	W3	W4	W5
x		x	x	x

Additional RS & RSGU Versions Available (call for details)



FGR

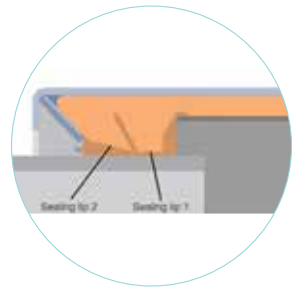
FGR pipe couplings are a compact, economical and reliable means of connecting plain-ended pipes. They are suitable to join plastic and metal pipes, and especially pipes made from stainless steel. They can be used in mechanical engineering and construction, shipbuilding, civil engineering, and in hydro technology.

Double-lip sealing system

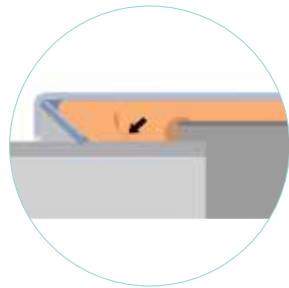
The patented double-lip sealing system (Fig. A) of the FGR pipe couplings offers double safety. It provides maximum sealability at both low and high operating pressures.

When the bolts of the coupling are tightened, sealing lip 1 is pressed onto sealing lip 2, thus providing a highly reliable seal even under conditions of low pressure, vacuum or extreme loads acting on the joint (Fig. B).

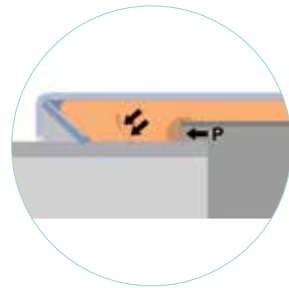
The special sealing lip design means that when the internal pressure (P) increases, the sealing lips are pressed more firmly onto the pipe surface ensuring an even stronger seal (Fig. C).



(Fig. A)



(Fig. B)



(Fig. C)

Coupling Types and Suitable Applications

Pipes to be Joined	Size (mm)	FLEX	FLEX E	FLEX 3	REP E
Metal to Metal	26.9 to 168.3	70 to 32 bar	70 to 32 bar	–	60 to 32 bar
	180.0 to 1219.2	50 to 7 bar	30 to 4 bar	–	30 to 4 bar
	326.0 to 2032.0	–	–	16.5 to 1.5 bar	–
Plastic to Plastic	26.9 to 168.3	16 bar	16 bar	–	16 bar
	180.0 to 1219.2	16 to 4 bar	16 to 4 bar	–	16 to 4 bar
Metal to Plastic	26.9 to 168.3	16 bar	16 bar	–	–
	180.0 to 1219.2	16 to 7 bar	16 to 7 bar	–	–

Pipes to be Joined	Size (mm)	GRIP	GRIP E	COMBI-GRIP E	COMBI-GRIP	PLAST-GRIP E	PLAST-GRIP	GRIP E-FP
Metal to Metal	26.9 to 168.3	70 to 32 bar	70 to 32 bar	–	–	–	–	60 to 32 bar
	180.0 to 419.0	–	20 to 2 bar	–	–	–	–	20 to 65 bar
	180.0 to 711.2	32 to 2.5 bar	–	–	–	–	–	–
Plastic to Plastic	40.0 to 168.3	–	–	–	–	16 bar	–	–
	200.0 to 406.4	–	–	–	–	–	16 to 6 bar	–
Metal to Plastic	38/40 to 160/168.3	16 bar	16 bar	16 bar	–	–	–	–
	200.0/204.0 to 406.0/406.4	–	–	–	16 to 6 bar	–	–	–

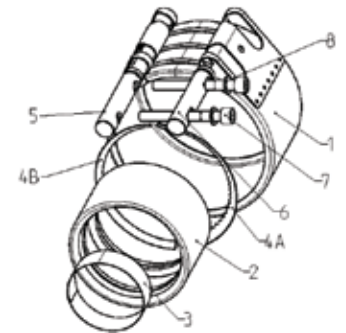
Sealing Sleeves (Areas of application and temperature resistance)

Material of Seal	EPDM	NBR
Temperature Range	–30 °C up to +125 °C OD 26.9 up to 168.3 mm –20 °C up to +80 °C OD > 180 mm	–20 °C up to +80 °C
Media	Drinking water Alcohols Compressed air Solids	Water Oils Gases (combustible) Fuels Hydrocarbon solutions



FGR Materials

W4				
No.	Component	FLEX/FLEX E	GRIP/GRIP E	PLAST-GRIP / PLAST-GRIP E
1	Housing with bridge	304/304 S31	304/304 S31	304/304 S31
2	Sealing sleeve	EPDM/NBR	EPDM/NBR	EPDM/NBR
3	Strip insert ¹	316Ti/320 S31/PA-GR	316Ti/320 S31/PA-GR	316Ti/320 S31/PA-GR
4 A	Anchoring ring for metal pipes ²	–	301/301 S21	–
4 A	Anchoring ring for plastic pipes ²	–	–	PA-GF-NS ³
4 B	Protection ring	316Ti/320 S31	316Ti/320 S31	–
5 + 6	Solid locking trunnions	316L	316L	1.4404
5 + 6	Hollow locking trunnions	316Ti/320 S31	316Ti/320 S31	1.4571
7	Locking bolts	A4-80/316	A4-80/316	A4-80
8	Washer	A4-80/316	A4-80/316	A4-80



¹ PA-GF plastic strip inserts are only for pipe couplings used in shipbuilding applications.

² COMBI-GRIP couplings are equipped with two different anchoring rings (1 x for the metal end, 1 x for the plastic end).

³ PA-GF: PA reinforced with fiberglass; NS: new silver.

W5						
No.	Component	FLEX/FLEX E	GRIP/GRIP E	COMBI-GRIP/ COMBI-GRIP E	PLAST-GRIP/ PLAST-GRIP E	REP E
1	Housing	316Ti/320 S31	316Ti/320 S31	316Ti/320 S31	316Ti/320 S31	316Ti/320 S31
2	Sealing sleeve	EPDM/NBR	EPDM/NBR	EPDM/NBR	EPDM/NBR	EPDM/NBR
3	Strip insert ¹	316Ti/320 S31/PA-GR	316Ti/320 S31/PA-GR	316Ti/320 S31/PA-GR	316Ti/320 S31/PA-GR	316Ti/320 S31/PA-GR
4 A	Anchoring ring for metal pipes ²	–	301/301 S21	301/301 S21 301/301 S21	–	–
4 A	Anchoring ring for plastic pipes ²	–	–	PA-GF-NS ³	PA-GF-NS ³	–
4 B	Protection ring	316Ti/320 S31	–	–	–	–
5 + 6	Solid locking trunnions	316L	316L	316L	316L	316L
5 + 6	Hollow locking trunnions	316Ti/320 S31	316Ti/320 S31	316Ti/320 S31	316Ti/320 S31	316Ti/320 S31
7	Locking bolts	A4-80/316	A4-80/316	A4-80/316	A4-80/316	A4-80/316
8	Washer	A4-80/316	A4-80/316	A4-80/316	A4-80/316	A4-80/316

¹ PA-GF plastic strip inserts are only for pipe couplings used in shipbuilding applications.

² COMBI-GRIP couplings are equipped with two different anchoring rings (1 x for the metal end, 1 x for the plastic end).

³ PA-GF: PA reinforced with fiberglass; NS: new silver.

FGR FLEX E

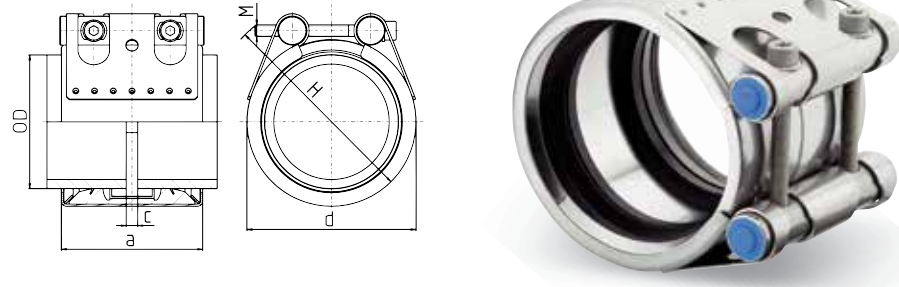
Used for axial non-restraint connections for metal, concrete and plastic pipes.



Standard Strip Insert and Protection Ring | Double-Lip Sealing System | Hollow Trunnions | Diameter Range 33mm – 1222mm

FLEX E (W4)

316 Stainless Steel Inner Ring (EPDM/NBR)
Heavy-Duty Lock Bars
304 Stainless Steel Housing



FLEX E (W4)		PN ¹		WP ²		O.D.	c (max)	Dimensions			Clamping Range			
NBR	EPDM	[bar]	psi	[bar]	psi			a	d	H	inches		mm	
0582 8500 033	0582 9200 033	16	232	60	870	34	3	67	55	75	1-5/16	1-3/8	33	34
0582 8500 048	0582 9200 048	16	232	50	725	48	8	63	70	90	1-7/8	2	48	51
0582 8500 060	0582 9200 060	16	232	40	580	60	17	78	85	105	2-3/8	2-3/8	60	61
0582 9200 073	0582 9200 073	16	232	40	580	73	25	98	95	115	2-13/16	2-15/16	72	74
0582 8500 076	0582 9200 076	16	232	35	508	76	25	98	100	120	2-15/16	3-1/16	75	77
0582 8500 088	0582 9200 088	16	232	35	508	89	25	98	110	130	3-7/16	3-9/16	87	90
0582 8500 114	0582 9200 114	16	232	35	508	114	25	98	135	155	4-7/16	4-9/16	113	116
0582 8500 139	0582 9200 139	16	232	32	464	140	35	113	165	195	5-7/16	5-9/16	138	142
0582 8500 168	0582 9200 168	16	232	32	464	168	35	113	195	225	6-9/16	6-11/16	167	170
0583 8520 219	0583 8220 219	13.5	195	23	333	219	35	139	250	280	8-1/2	8-11/16	216	221
0583 8520 229	0583 8220 229	12	174	23	333	229	35	139	260	290	9	9-1/8	228	232
0583 8520 273	0583 8220 273	12	174	20	290	273	35	139	305	335	10-5/8	10-13/16	270	275
0583 8520 306	0583 8220 306	9	130	17.5	253	306	35	139	340	370	11-7/8	12-1/8	302	308
0583 8520 355	0583 8220 355	9	130	15	217	355	35	139	390	420	11-7/8	14-1/8	352	359
0583 8520 457	0583 8220 457	5.5	79	12	174	457	35	139	490	520	17-7/8	18-1/16	454	459
0583 8520 558	0583 8220 558	5.5	79	10	145	558	35	139	590	620	21-7/8	22-1/8	556	562
0583 8520 711	0583 8220 711	4	58	7	101	711	35	139	745	775	27-13/16	28-1/8	707	715
0583 8520 914	0583 8220 914	2	29	5.5	79	914	35	139	945	1035	35-13/16	36-3/16	909	919

Note: Call for a complete list of sizes and materials.

¹ Nominal Pressure is the maximum admissible working pressure in shipbuilding, based on a safety factor of ≥ 4 .

² Working Pressure is the maximum admissible working pressure in industrial applications, as per NORMA specification.

Available in these materials:

W1	W2	W3	W4	W5
	X		X	X

FGR REP E

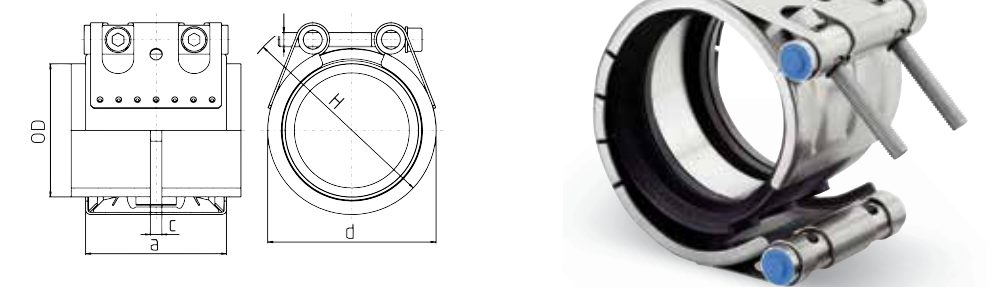
Repair coupling for axial non-restraint couplings to stop leakages at metal or plastic pipes.



Standard Strip Insert and Protection Ring | Double-Lip Sealing System | Hollow Trunnions | Diameter Range 44mm – 1222mm

REP E (W5)

316 Stainless Steel Inner Ring (EPDM/NBR)
Heavy-Duty Lock Bars
316 Stainless Steel Housing



REP E (W5)		WP ¹		O.D.	c (max)	Dimensions			Clamping Range			
NBR	EPDM	[bar]	psi			a	d	H	inches		mm	
0572 8660 044	0572 9360 044	50	725	45	8	63	65	85	1-5/16	1-3/8	44	45
0572 8660 048	0572 9360 048	50	725	48	8	63	70	90	1-7/8	2	48	51
0572 8660 060	0572 9360 060	40	580	60	17	78	85	105	2-5/16	2-3/8	60	61
0572 8660 073	0572 9360 073	40	580	73	25	98	95	115	2-3/8	2-5/16	72	74
0572 8660 076	0572 9360 076	35	508	76	25	98	100	120	2-7/8	3	75	77
0572 8660 088	0572 9360 088	35	508	89	25	98	110	130	3-7/16	3-9/16	87	90
0572 8660 101	0572 9360 101	35	508	102	25	98	125	145	2-15/16	2-1/16	100	103
0572 8660 114	0572 9360 114	35	508	114	25	98	135	155	4-7/16	4-9/16	113	116
0572 8660 139	0572 9360 139	32	464	134	35	113	165	195	5-7/16	5-9/16	138	142
0572 8660 141	0572 9360 141	32	464	142	35	113	170	200	5-1/2	5-5/8	140	143
0572 8660 168	0572 9360 168	32	464	168	35	113	195	225	6-5/8	6-3/4	167	170
0576 8660 219	0576 8360 219	23	333	219	35	139	250	280	8-1/2	8-11/16	216	221
0576 8660 229	0576 8360 229	23	333	229	35	139	260	290	9	9-1/8	228	232
0576 8660 273	0576 8360 273	20	290	273	35	139	305	335	10-5/8	10-13/16	270	275
0576 8660 306	0576 8360 306	17.5	253	306	35	139	340	370	11-7/8	12-1/8	302	308
0576 8660 355	0576 8360 355	15	217	355	35	139	390	420	11-7/8	14-1/8	352	359
0576 8660 457	0576 8360 457	12	174	457	35	139	490	520	17-7/8	18-1/16	454	459
0576 8660 558	0576 8360 558	10	145	558	35	139	590	620	21-7/8	22-1/8	556	562
0576 8660 711	0576 8360 711	7	101	711	35	139	745	775	27-13/16	28-1/8	707	715
0576 8660 914	0576 8360 914	5.5	79	914	35	139	945	975	35-13/16	36-3/16	909	919
0576 8660 1117	0576 8360 1117	4.5	65	1117	35	139	1150	1180	43-7/8	44-1/8	1114	1120
0576 8660 1219	0576 8360 1219	4	58	1219	35	139	1250	1280	47-7/8	48-1/8	1216	1222

Note: Call for a complete list of sizes and materials.

¹ Working Pressure is the maximum admissible working pressure in industrial applications, as per NORMA specification.

Available in these materials:

W1	W2	W3	W4	W5
				X

FGR GRIP E

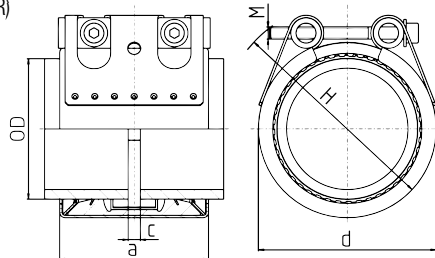
Double-lipped axial restraint pipe coupling with conically stamped teeth for metal pipes.



Conically Stamped Teeth | Double-Lip Sealing System | Hollow Trunnions | Diameter Range 26mm – 613mm

GRIP E (W4)

316 Stainless Steel Inner Ring (EPDM/NBR)
Heavy-Duty Lock Bars
304 Stainless Steel Housing



GRIP E (W4)		PN ¹		WP ²		O.D.	c (max)	Dimensions			Clamping Range			
NBR	EPDM	[bar]	psi	[bar]	psi			a	d	H	inches		mm	
0579 8500 026	0579 9200 026	16	232	70	1015	27	3	67	560	70	1	1-1/16	26	28
0579 8500 033	0579 9200 033	16	232	60	870	34	3	67	55	75	1-5/16	1-3/8	33	34
0579 8500 042	0579 9200 042	16	232	50	725	42	8	63	65	85	1-11/16	1-13/16	42	43
0579 8500 048	0579 9200 048	16	232	50	725	48	8	63	70	90	1-7/8	2	48	51
0579 8500 054	0579 9200 054	16	232	50	725	54	17	78	75	95	2-1/8	2-3/16	53	55
0579 8500 057	0579 9200 057	16	232	50	725	57	17	78	80	100	2-3/16	2-1/4	56	58
0579 8500 060	0579 9200 060	16	232	40	580	60	17	78	85	105	2-5/16	2-3/8	60	61
0579 8500 073	0579 9200 073	16	232	40	580	73	25	98	95	115	2-13/16	2-15/16	72	74
0579 8500 076	0579 9200 076	16	232	35	508	76	25	98	100	120	2-7/8	3	75	77
0579 8500 088	0579 9200 088	16	232	35	508	89	25	98	110	130	3-7/16	3-9/16	87	90
0579 8500 108	0579 9200 108	16	232	35	508	108	25	98	130	150	4-3/16	4-5/16	107	109
0579 8500 114	0579 9200 114	16	232	35	508	114	25	98	135	155	4-7/16	4-9/16	113	116
0579 8500 139	0579 9200 139	16	232	32	464	140	35	115	165	195	5-7/16	5-9/16	138	142
0579 8500 154	0579 9200 154	16	232	32	464	154	35	115	180	210	6	6-1/8	152	156
0579 8500 168	0579 9200 168	16	232	32	464	168	35	115	195	225	6-5/8	6-3/4	167	170
0574 8500 219	0574 8200 219	10	145	20	290	219	35	141	250	280	8-1/2	8-11/16	216	221
0574 8500 273	0574 8200 273	5.5	79	13	188	273	35	140	305	335	10-5/8	10-13/16	270	275
0574 8500 306	0574 8200 306	5.5	79	10.5	152	306	35	140	340	370	11-7/8	12-1/8	302	308
0574 8500 323	0574 8200 323	3	43	9.5	137	324	35	140	355	385	12-5/8	12-7/8	320	327
0574 8500 355	0574 8200 355	2.7	39	8.5	123	355	35	140	390	420	13-27/32	14-1/8	352	359
0574 8500 429	0574 8200 429	2.5	36	6.5	94	429	35	140	460	490	16-25/32	16-31/32	426	431
0574 8500 457	0574 8200 457	2.5	36	6.0	87	457	35	140	490	520	17-7/8	18-1/16	454	459
0574 8500 531	0574 8200 531	1.5	22	4.0	58	531	35	140	565	595	20-25/32	21	528	534
0574 8500 609	0574 8200 609	1	15	2.0	29	609	35	140	640	670	23-27/32	24-1/8	606	613

Note: Call for a complete list of sizes and materials.

¹ Nominal Pressure is the maximum admissible working pressure in shipbuilding, based on a safety factor of ≥ 4.

² Working Pressure is the maximum admissible working pressure in industrial applications, as per NORMA specification.

Available in these materials:

W1	W2	W3	W4	W5
	X		X	X

FGR COMBI-GRIP E

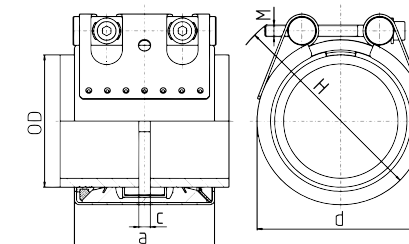
Economical axial restraint coupling for connecting metal pipes with plastic pipes.



Flat and Conically Stamped Teeth | Double-Lip Sealing System | Optional Support Sleeve* | Hollow Trunnions | Diameter Range 39mm – 170mm

COMBI-GRIP E (W5)

316 Stainless Steel Inner Ring (EPDM/NBR)
Heavy-Duty Lock Bars
One-Side of Flat Teeth (For Plastic)
One-Side of Conically Stamped Teeth (For Metal)



COMBI-GRIP E (W5) INCHES		PN ¹		WP ²		O.D. Metal Side	O.D. Plastic Side	c (max)	Dimensions			Clamping Range			
NBR	EPDM	[bar]	psi	[bar]	psi				a	d	H	Plastic (in.)		Metal (in.)	
0584 8660 042	0584 9360 042	10	145	16	232	1-11/16	1-9/16	5/16	2-7/16	2-9/16	3-5/16	1-9/16	1-11/16	1-5/8	1-11/16
0584 8660 048	0584 9360 048	10	145	16	232	1-7/8	2	5/16	2-7/16	2-3/4	3-9/16	1-15/16	2	1-7/8	2
0584 8660 060	0584 9360 060	10	145	16	232	2-3/8	2.5	5/16	3-1/16	3-5/16	4-1/8	2-7/16	2-1/2	2-5/16	2-3/8
0584 8660 076	0584 9360 076	10	145	16	232	3	3	1	3-7/8	3-15/16	4-3/4	2-15/16	3	2-15/16	3
0584 8660 088	0584 9360 088	10	145	16	232	3-1/2	3-1/2	1	3-7/8	4-5/16	5-1/8	3-1/2	3-9/16	3-7/16	3-9/16
0584 8660 114	0584 9360 114	10	145	16	232	4-1/2	4-1/2	1	3-7/8	5-5/16	6-1/8	4-7/16	4-9/16	4-7/16	4-9/16
0584 8660 139	0584 9360 139	10	145	16	232	5-1/2	5-1/2	1-3/8	4-1/2	6-5/16	7-1/16	5-1/2	5-9/16	5-7/16	5-5/8
0584 8660 168	0584 9360 168	10	145	16	232	6-5/8	6-5/8	1-3/8	4-1/2	7-1/2	8.3	6-9/16	6-11/16	6-9/16	6-11/16

COMBI-GRIP E (W5) METRIC		PN ¹		WP ²		O.D. Metal Side	O.D. Plastic Side	c (max)	Dimensions			Clamping Range			
NBR	EPDM	[bar]	psi	[bar]	psi				a	d	H	Plastic (mm)		Metal (mm)	
0584 8660 042	0584 9360 042	10	145	16	232	42	40	8	62	65	85	39	40	41	43
0584 8660 048	0584 9360 048	10	145	16	232	48	50	8	62	70	90	49	50	47	50
0584 8660 060	0584 9360 060	10	145	16	232	60	63	17	78	85	105	62	63	59	61
0584 8660 076	0584 9360 076	10	145	16	232	76	75	25	98	100	120	74	75	75	77
0584 8660 088	0584 9360 088	10	145	16	232	88	90	25	98	110	130	89	91	87	90
0584 8660 114	0584 9360 114	10	145	16	232	114	114	25	98	135	155	113	115	113	115
0584 8660 139	0584 9360 139	10	145	16	232	139	140	35	115	160	180	139	141	138	143
0584 8660 168	0584 9360 168	10	145	16	232	168	168	35	115	190	210	166	170	166	170

Note: Call for a complete list of sizes and materials.

¹ Nominal Pressure is the maximum admissible working pressure in shipbuilding, based on a safety factor of ≥ 4.

² Working Pressure is the maximum admissible working pressure in industrial applications, as per NORMA specification.

Available in these materials:

W1	W2	W3	W4	W5
				X



*When joining plastic pipes made from PE and PP, a support sleeve must be used. If the pipes to be joined are made from soft thermoplastic material (e.g., PE) the use of a support sleeve is mandatory. The support sleeve is inserted into the pipe end within the area to be joined and thus protects the pipe from being deformed.

FGR PLAST-GRIP E

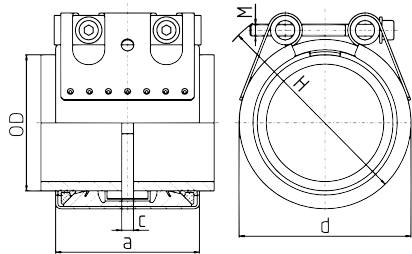
Axial restraint coupling for connecting plastic pipes without damage.



Protective Anchoring Ring With Flat Teeth | Double-Lip Sealing System | Hollow Trunnions | Diameter Range 39mm – 170mm

PLAST-GRIP E (W5)

316 Stainless Steel Inner Ring (EPDM/NBR)
Heavy-Duty Lock Bars
Two Rows of Flat Teeth (For Plastic)



PLAST-GRIP E (W5)		PN ¹		WP ²		O.D.	c (max)	Dimensions			Clamping Range			
NBR	EPDM	[bar]	psi	[bar]	psi			a	d	H	inches		mm	
0581 8660 040	0581 9360 040	10	145	16	232	40	8	62	60	80	1-17/32	1-9/16	39	40
0581 8660 042	0581 9360 042	10	145	16	232	42	8	62	65	85	1-5/8	1-11/16	41	43
0581 8660 044	0581 9360 044	10	145	16	232	44	8	62	70	90	1-21/32	1-13/16	42	46
0581 8660 048	0581 9360 048	10	145	16	232	48	8	62	70	90	1-7/8	1-15/16	47	49
0581 8660 050	0581 9360 050	10	145	16	232	50	8	62	70	90	1-15/16	1-31/32	49	50
0581 8660 060	0581 9360 060	10	145	16	232	60	17	78	85	105	2-5/16	2-3/8	59	61
0581 8660 063	0581 9360 063	10	145	16	232	63	17	78	85	105	2-7/16	2-1/2	62	63
0581 8660 075	0581 9360 075	10	145	16	232	75	25	98	100	120	2-29/32	3	74	76
0581 8660 076	0581 9360 076	10	145	16	232	76	25	98	100	120	2-15/16	3-1/32	75	77
0581 8660 088	0581 9360 088	10	145	16	232	88	25	98	110	130	3-7/16	3-9/16	88	90
0581 8660 090	0581 9360 090	10	145	16	232	90	25	98	110	130	3-1/2	3-19/32	89	91
0581 8660 101	0581 9360 101	10	145	16	232	101	25	98	125	145	3-15/16	4	100	102
0581 8660 104	0581 9360 104	10	145	16	232	104	25	98	125	145	4	4-5/32	102	106
0581 8660 108	0581 9360 108	10	145	16	232	108	25	98	130	150	4-1/4	4-3/8	108	111
0581 8660 110	0581 9360 110	10	145	16	232	110	25	98	130	150	4-5/32	4-3/8	109	111
0581 8660 114	0581 9360 114	10	145	16	232	114	25	98	135	155	4-7/16	4-9/16	113	115
0581 8660 125	0581 9360 125	10	145	16	232	125	35	115	140	160	4-7/8	5	124	126
0581 8660 129	0581 9360 129	10	145	16	232	129	35	115	140	160	5	5-5/32	127	131
0581 8660 133	0581 9360 133	10	145	16	232	133	35	115	150	170	5-5/32	5-9/32	131	134
0581 8660 140	0581 9360 140	10	145	16	232	140	35	115	160	180	5-1/2	5-9/16	139	141
0581 8660 154	0581 9360 154	10	145	16	232	154	35	115	170	190	6	6-1/8	152	156
0581 8660 159	0581 9360 159	10	145	16	232	159	35	115	180	200	6-3/16	6-9/32	157	160
0581 8660 160	0581 9360 160	10	145	16	232	160	35	115	180	200	6-1/4	6-3/8	159	162
0581 8660 168	0581 9360 168	10	145	16	232	168	35	115	190	200	6-9/16	6-11/16	166	170

Note: Call for a complete list of sizes and materials.

¹ Nominal Pressure is the maximum admissible working pressure in shipbuilding, based on a safety factor of ≥ 4 .

² Working Pressure is the maximum admissible working pressure in industrial applications, as per NORMA specification.

Available in these materials:

W1	W2	W3	W4	W5
	X		X	X

FGR GRIP E-FP

Pipe coupling with integral flame protection for marine and sprinkler applications.



Flame Resistant | Standard Strip Insert | For Hot/Cold Marine Applications | Double-Lip Sealing System | Diameter Range 33mm – 422mm

GRIP E-FP (W5)

316 Stainless Steel Inner Ring (EPDM/NBR)
Conically Stamped Anchoring Ring
Flame Protective Housing



GRIP E-FP (W5)		PN ¹		WP ²		O.D.	c (max)	Dimensions			Clamping Range			
NBR	EPDM	[bar]	psi	[bar]	psi			a	d	H	inches		mm	
0579 8670 033	0579 9370 033	16	232	60	870	34	3	67	65	115	1-5/16	1-3/8	33	34
0579 8670 042	0579 9370 042	16	232	50	725	42	8	75	75	125	1-5/8	1-11/16	41	43
0579 8670 044	0579 9370 044	16	232	50	725	45	8	75	75	125	1-11/16	1-3/4	44	45
0579 8670 048	0579 9370 048	16	232	50	725	48	8	75	80	130	1-7/8	2	47	50
0579 8670 060	0579 9370 060	16	232	40	580	60	17	90	95	145	2-5/16	2-3/8	59	61
0579 8670 073	0579 9370 073	16	232	40	580	73	17	90	95	145	2-13/16	2-7/8	72	73
0579 8670 076	0579 9370 076	16	232	35	508	76	25	110	105	155	2-7/8	3	75	77
0579 8670 088	0579 9370 088	16	232	35	508	89	25	110	115	165	3-7/16	3-9/16	87	89
0579 8670 114	0579 9370 114	16	232	35	508	114	25	110	145	195	4-7/16	4-1/2	113	115
0579 8670 133	0579 9370 133	16	232	32	464	133	35	125	170	220	5-5/32	5-1/4	131	134
0579 8670 141	0579 9370 141	16	232	32	464	142	35	125	180	230	5-1/2	5-5/8	139	142
0579 8670 154	0579 9370 154	16	232	32	464	154	35	125	190	240	6	6-1/8	152	156
0579 8670 168	0579 9370 168	16	232	32	464	168	35	125	205	255	6-5/8	6-3/4	166	170
0579 8670 193	0579 9370 193	10	145	20	290	193	35	125	235	285	7-9/16	7-23/32	192	196
0579 8670 219	0579 9370 219	10	145	20	290	219	35	125	260	310	8-1/2	8-11/16	216	221
0579 8670 254	0579 9370 254	5.5	79	14	203	254	35	155	285	335	9-27/32	10	250	256
0579 8670 273	0579 9370 273	5.5	79	13	188	273	35	155	315	365	10-5/8	10-13/16	270	275
0579 8670 323	0579 9370 323	3	44	9.5	138	323	35	155	365	415	12-19/32	12-7/8	320	327
0579 8670 355	0579 9370 355	2.7	39	8.5	123	355	35	155	400	450	13-27/32	14-1/8	352	359
0579 8670 419	0579 9370 419	2.5	36	6.5	94	419	35	155	460	510	4-11/32	16-19/32	415	422

Note: Call for a complete list of sizes and materials.

¹ Nominal Pressure is the maximum admissible working pressure in shipbuilding, based on a safety factor of ≥ 4 .

² Working Pressure is the maximum admissible working pressure in industrial applications, as per NORMA specification.

Available in these materials:

W1	W2	W3	W4	W5
				X

FGR RFP

Retrofittable flame-protective housing for use with Flex, Grip and REP E Couplings.



Flame-Resistant | Lightweight | For Hot/Cold Marine Applications | No Tools Necessary | Diameter Range 27mm – 273mm

RFP 316 SS (W5)
Flame-Resistant Fibre Mat
All 316 Stainless Steel



Double-locked safeguards



RFP 316 SS (W5)	Weight of Housing kg	Dimensions			Nominal Diameter	
		a mm	d mm	H* mm	inches	mm
0573 0000 026	0.09	69	60	110	1-1/16	27
0573 0000 028	0.09	69	60	110	1-1/8	28
0573 0000 030	0.10	69	60	110	1-3/16	30
0573 0000 033	0.10	69	65	115	1-5/16	34
0573 0000 038	0.11	75	70	120	1-1/2	38
0573 0000 042	0.12	75	75	125	1-5/8	42
0573 0000 044	0.12	75	75	125	1-3/4	45
0573 0000 048	0.13	75	80	130	1-7/8	48
0573 0000 054	0.14	90	90	135	2-1/8	54
0573 0000 057	0.16	90	90	140	2-1/4	57
0573 0000 060	0.16	90	95	145	2-3/8	60
0573 0000 076	0.24	110	110	160	3	76
0573 0000 088	0.26	110	120	170	3-1/2	89
0573 0000 101	0.28	110	135	185	4	102
0573 0000 104	0.29	110	135	185	4-1/16	104
0573 0000 108	0.30	110	140	190	4-1/4	108
0573 0000 114	0.31	110	145	195	4-1/2	114
0573 0000 133	0.41	125	170	220	5-1/4	133
0573 0000 139	0.43	125	175	225	5-1/2	140
0573 0000 154	0.45	125	190	240	6-1/16	154
0573 0000 159	0.49	125	195	245	6-1/4	159
0573 0000 168	0.50	125	205	255	6-5/8	168
0573 0000 219	0.73	155	260	310	8-5/8	219
0573 0000 273	0.87	155	315	365	10-3/4	273

Note: Call for a complete list of part numbers and materials.

*Dimensions of the housing are given as assembled on a NORMACONnect Grip/Grip E/Flex/Flex E pipe coupling.

Additional sizes available on request.

Available in these materials:

W1	W2	W3	W4	W5
				x

FGR Approvals

SHIPBUILDING	FLEX / FLEX E / RFP		GRIP / GRIP E / GRIP E-FP / RFP		COMBI-GRIP / COMBI-GRIP E	PLAST-GRIP / PLAST-GRIP E	REP E
	26.9 - 168.3MM	>180MM	26.9 - 168.3MM	>180MM			
ABS	•	•	•	•	•	•	
Bureau Veritas	•	•	•	•	•	•	
DNV	•	•	•	•			
GL	•	•	•	•			
LRS	• ¹	• ¹	• ¹	• ¹	•	•	
Class NK	•	•	•	•	•	•	
RINA	•	•	•	•			
RMRS	•	•	•	•	•	•	
PRS	• ¹	• ¹	• ¹	• ¹			
KRS	•	•	•	•	•	•	
WATER SUPPLY & TREATMENT	FLEX / FLEX E / RFP		GRIP / GRIP E / GRIP E-FP / RFP		COMBI-GRIP / COMBI-GRIP E	PLAST-GRIP / PLAST-GRIP E	REP E
	26.9 - 168.3MM	>180MM	26.9 - 168.3MM	>180MM			
KTW	•		•		•	•	•
DVGW						• ²	
SVGW						• ²	
NSF	EPDM		EPDM		EPDM	EPDM	
DGS	EPDM	EPDM	EPDM	EPDM	EPDM	EPDM	EPDM
GAS	FLEX / FLEX E / RFP		GRIP / GRIP E / GRIP E-FP / RFP		COMBI-GRIP / COMBI-GRIP E	PLAST-GRIP / PLAST-GRIP E	REP E
	26.9 - 168.3MM	>180MM	26.9 - 168.3MM	>180MM			
DVGW / GWI			•			•	
SVGW						•	
SPECIAL APPROVALS	FLEX / FLEX E / RFP		GRIP / GRIP E / GRIP E-FP / RFP		COMBI-GRIP / COMBI-GRIP E	PLAST-GRIP / PLAST-GRIP E	REP E
	26.9 - 168.3MM	>180MM	26.9 - 168.3MM	>180MM			
VdS			• ⁴				
DIBT / TÜV south. Germany			•				
BWB			•	• ³			
FDA	•		•		•	•	

¹ No Approvals for RFP

² From 40.0mm up to 160mm

³ German approval for the German marine

⁴ For the following sizes: 33.7 - 42.2 - 48.3 - 60.3 - 76.1 - 88.9 - 114.3 - 139.7

Quick Connectors

Innovative, secure, and “quick fit” – The NORMAQUICK® Connectors series of plug-in connectors made of synthetic material are suitable for cooling water, oil, air, or fuel-carrying lines. NORMAQUICK® Connectors offer a state-of-the-art means of connecting, reducing permeation rates, and helping reduce the system’s total weight.



NORMAQUICK® Twist II

- | For cooling water systems
- | Designed to provide leak-proof connections
- | Robust and clear locking features with a click function to ensure a correct lock
- | Easy operation for disassembly
- | Temperature resistance of up to 180°
- | Material: Polyamide 6.6 with 30% to 50% glass fiber, EPDM O-Rings
- | 0° profiles
- | Application-specific sizes



NORMAQUICK® V2

- | For handling air and blow-by gas and fuel venting
- | For both line-to-line and line-to-device connections
- | Can be used with both plastic and metal spigots
- | Available with hose barb end for use with aftermarket hoses and clamps
- | Material: Injection Molded Thermoplastics, NBR O-Rings (air), FKM and FVMQ O-Rings (fuel and other)
- | 0°, and 90° standard profiles/over 200 custom profiles
- | Inside Spigot Diameters: 4mm – 33mm (5/32" – 1-5/16")



Note: Available with and without assembly indicator

NORMAQUICK® S (for SAE connections)

- | For fluid and fuel line applications
- | For both line-to-line and line-to-device connections
- | Designed for SAE J2044 standard spigots
- | Internal spring retainer mechanism for tight-locking seal
- | Available with hose barb end for use with aftermarket hoses and clamps
- | Material: Injection Molded Thermoplastics, FKM and FVMQ O-Rings
- | 0°, 45°, and 90° standard profiles
- | Outside Spigot Diameters: 6.35mm – 16mm (1/4" – 5/8")



NORMAQUICK® PS3 (for VDA connections)

- | PS3 “Push & Seal” plastic quick connectors for charged air, cooling water, and heating hoses
- | Designed for VDA standard spigot
- | Available with hose barb end for use with aftermarket hoses and clamps
- | Material: Injection Molded Thermoplastics, EPDM O-Rings
- | 0°, 45°, and 90° standard profiles
- | Inside Diameters: 8mm – 50mm (1/4" – 2")



45°



Straight Tri-Barb



90° Profile

Series SAE-Style

- | For glycol and automotive coolant applications
- | For both line-to-line and line-to-device connections
- | Designed for SAE J2044 standard spigots
- | Internal retainer mechanism for tight-locking seal
- | Available with hose barb stem for use with aftermarket hoses and clamps
- | Material: Injection Molded Thermoplastics, EPDM O-Rings
- | 0°, 45° and 90° profiles
- | Outside Spigot Diameters: 16mm & 19mm (5/8" & 3/4")



Straight



90° Profile



45° Tri-Barb

Series C-Style (for VDA connections)

- | Plastic quick connectors for coolant, glycol, and water applications.
- | Designed for VDA standard spigot
- | Positive retainer ring mechanism for tight locking seal
- | Available with hose barb stem for use with aftermarket hoses and clamps
- | Material: Injection Molded Thermoplastics, EPDM O-Rings
- | 0°, 45°, and 90° standard profiles
- | Inside Diameters: 12mm – 50mm (15/32" – 2")

Product Portfolio Quick Reference

V-Band Clamp

- Three Welded Inserts
- Diameter Range 1.06" and up
- Corrosion Resistant Steels
- Quick-Release and General Purpose

Page 89

Spring T-Bolt Band Clamp

- 0.75" Band Width
- Diameter Range 2.06"– 6.31"
- 300-Series SS Band
- 0.25" Plated Steel T-Bolt

Page 94

Barrel Band Clamp

- 0.75" Band Width
- Diameter Range 1.06"– 6.18"
- 300-Series SS Band
- CRS, Zinc-Plated Hardware

Page 90

Quick Release Mounting Clamp

- 0.75" Band Width
- Diameter Range 2.187"– 9.38"
- 300-Series SS Band, Latch/Bracket
- Plated T-Bolt and Nut

Page 95

Barrel Band Clamp with Shoe

- 0.75" Band Width
- Diameter Range 1.06"– 6.18"
- 300-Series SS Band
- CRS, Zinc-Plated Hardware

Page 91

Muffler Mounting Clamp

- .048" or .060" Band Thickness
- Custom Perforations Available
- Oval or Round Shapes
- Annealed 300-Series SS Band

Page 96

T-Bolt Band Clamp

- 0.75" Band Width
- Diameter Range 1"– 6.31"
- 300-Series SS Band
- 0.25" Plated Steel T-Bolt

Page 92-93

Strap Clamp

- 0.75" Band Width
- Custom Lengths Available
- 300-Series SS Band
- Plated Hardware

Page 97

V-Band Clamp

High-quality V-inserts welded to a band clamp with full round edges.



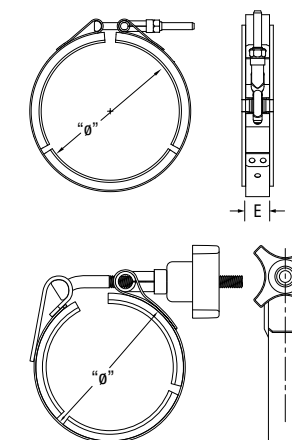
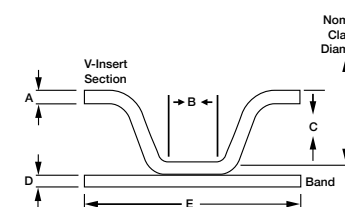
0.63", 0.88" or 0.75" Band Widths | Three Inserts | 40° Insert Angle | Corrosion-Resistant Steels | Nominal Diameter Range 1.75" – 10.69"

GENERAL PURPOSE V-CLAMP

- 0.25" or 5/16" Hardware
- 0.63", 0.88" and 0.75" Band Widths
- Corrosion-Resistant Steel

QUICK RELEASE V-CLAMP

- 0.25" Hardware
- 0.63", 0.88" and 0.75" Band Widths
- Plastic Knob with Brass Insert or Nut



GENERAL PURPOSE V-CLAMP		Nominal Diameter (Ø)		Insert Thickness (A)		Insert Apex Width (B)		Insert Depth (C)		Band Thickness (D)		Band Width (E)	
Brand PN	Global PN	in	mm	in	mm	in	mm	in	mm	in	mm	in	mm
2026-1	0373 0001 044	1.75	44.5	0.050	1.27	0.262	6.65	0.141	3.58	0.025	0.63	0.625	15.87
2000-4	0373 0004 080	3.15	80.0	0.050	1.27	0.262	6.65	0.141	3.58	0.035	0.88	0.750	19.05
2017	0373 0004 082	3.21	81.5	0.050	1.27	0.262	6.65	0.141	3.58	0.035	0.88	0.750	19.05
2013-4	0373 0001 086	3.38	85.9	0.077	1.95	0.207	5.25	0.281	7.13	0.040	1.01	0.875	22.22
2013-1	0373 0013 097	3.82	97.0	0.077	1.95	0.207	5.25	0.281	7.13	0.040	1.01	0.875	22.22
3002-1	0373 0012 097	3.82	97.0	0.077	1.95	0.207	5.25	0.281	7.13	0.050	1.27	0.875	22.22
2002-1	0373 0003 099	3.88	98.6	0.050	1.27	0.400	10.16	0.281	7.13	0.040	1.01	0.875	22.22
3010-1	0373 0010 097	3.96	100.6	0.077	1.95	0.207	5.25	0.281	7.13	0.062	1.57	0.875	22.22
2000-20	0373 0000 103	4.04	102.6	0.050	1.27	0.262	6.65	0.141	3.58	0.035	0.88	0.750	19.05
2002-2	0373 0000 108	4.25	108.0	0.050	1.27	0.400	10.16	0.281	7.13	0.040	1.01	0.875	22.22
2013-5	0373 0001 109	4.31	109.5	0.077	1.95	0.207	5.25	0.281	7.13	0.040	1.01	0.875	22.22
2000-5	0373 0009 114	4.50	114.3	0.050	1.27	0.262	6.65	0.141	3.58	0.035	0.88	0.750	19.05
2001	0373 0009 117	4.61	117.1	0.050	1.27	0.156	3.96	0.281	7.13	0.035	0.88	0.750	19.05
2002-4	0373 0015 121	4.75	120.7	0.050	1.27	0.400	10.16	0.281	7.13	0.040	1.01	0.875	22.22
2013-3	0373 0003 122	4.81	122.2	0.077	1.95	0.207	5.25	0.281	7.13	0.040	1.01	0.875	22.22
2000-1	0373 0004 133	5.25	133.4	0.050	1.27	0.262	6.65	0.141	3.58	0.035	0.88	0.750	19.05
3014	0373 0006 148	5.81	147.6	0.050	1.27	0.207	5.25	0.281	7.13	0.062	1.57	0.875	22.22
2002-3	0373 0007 149	5.88	149.4	0.050	1.27	0.400	10.16	0.281	7.13	0.040	1.01	0.875	22.22
2000-11	0373 0004 150	5.90	149.9	0.050	1.27	0.262	6.65	0.141	3.58	0.035	0.88	0.750	19.05
2036-2	0373 0002 152	6.00	152.4	0.050	1.27	0.156	3.96	0.281	7.13	0.035	0.88	0.750	19.05
2022-1	0373 0002 243	9.56	242.8	0.050	1.27	0.530	13.46	0.215	5.46	0.035	0.88	0.750	19.05
2022-2	0373 0003 243	9.56	242.8	0.050	1.27	0.550	13.97	0.281	7.13	0.035	0.88	0.750	19.05
3026-2	0373 0001 271	10.69	271.5	0.050	1.27	0.207	5.25	0.281	7.13	0.062	1.57	0.875	22.22

QUICK RELEASE V-CLAMP		Nominal Diameter (Ø)		Insert Thickness (A)		Insert Apex Width (B)		Insert Depth (C)		Band Thickness (D)		Band Width (E)	
Brand PN	Global PN	in	mm	in	mm	in	mm	in	mm	in	mm	in	mm
20026-1 ⁽¹⁾	0373 0000 044 ⁽¹⁾	1.75	44.5	0.050	1.27	0.262	6.65	0.141	3.58	0.025	0.63	0.625	15.87
20000-1A ⁽²⁾	0373 0000 053 ⁽²⁾	2.08	52.8	0.050	1.27	0.262	6.65	0.141	3.58	0.025	0.63	0.750	19.05
20060-3 ⁽³⁾	0373 0004 078 ⁽³⁾	3.09	78.5	0.060	1.52	0.207	5.25	0.281	7.13	0.040	1.01	0.750	19.05
20000-3A ⁽⁴⁾	0373 0000 080 ⁽⁴⁾	3.15	80.0	0.050	1.27	0.262	6.65	0.141	3.58	0.025	0.63	0.750	19.05
20000-4A ⁽⁴⁾	0373 0003 093 ⁽⁴⁾	3.67	93.2	0.050	1.27	0.262	6.65	0.141	3.58	0.025	0.63	0.750	19.05
20065-1N ⁽⁶⁾	0373 0008 117 ⁽⁶⁾	4.62	117.4	0.050	1.27	0.210	5.33	0.281	7.13	0.025	0.63	0.750	19.05
20039-2E ⁽⁴⁾	0373 0001 127 ⁽⁴⁾	5.00	127.0	0.060	1.52	0.415	10.54	0.281	7.13	0.040	1.01	0.875	22.22
20036-3 ⁽⁵⁾	0373 0002 144 ⁽⁵⁾	5.65	143.5	0.050	1.27	0.262	6.65	0.141	3.58	0.025	0.63	0.625	15.87
20004-1HD ⁽⁴⁾	0373 0005 148 ⁽⁴⁾	5.81	147.6	0.077	1.95	0.207	5.25	0.281	7.13	0.040	1.01	0.875	22.22
20022-1 ⁽⁵⁾	0373 0007 150 ⁽⁵⁾	5.92	150.4	0.050	1.27	0.400	10.16	0.281	7.13	0.025	0.63	0.750	19.05
20023-1 ⁽⁵⁾	0373 0000 243 ⁽⁵⁾	9.56	242.8	0.050	1.27	0.530	13.46	0.215	5.46	0.035	0.88	0.750	19.05

Note: Call for a complete list of sizes and materials.

¹ 300-Series SS Bent T-Bolt ² Electro-polished, 300-Series SS Bent T-Bolt ³ 300-Series SS T-Bolt ⁴ Electro-polished, 300-Series SS T-Bolt ⁵ 300-Series SS Hardware ⁶ No T-Bolt, must purchase separately

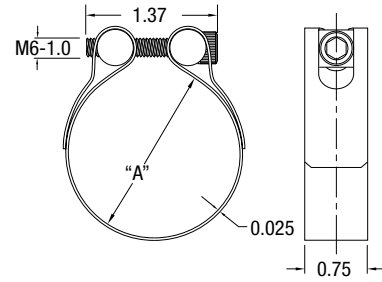
Barrel Band Clamp

Heavy-duty, low-profile barrel-style hose clamp for automotive, commercial, and industrial applications.



0.75" Band Width | CRS, Zinc-Plated Hardware | M6 Barrel Nut and Trunion | Diameter Range 1.06"– 6.18"

BARREL BAND CLAMP
M6 Barrel Nut and Trunion
0.75" Band Width
CRS, Zinc-Plated Hardware



Nominal Diameter		BARREL BAND CLAMP		inches (A)		mm	
inches	mm	Brand PN	Global PN	min	max	min	max
1.06	27	27-49M	0363 0001 027	1.06	1.14	26.92	28.96
1.13	29	27-50M	0363 0004 030	1.13	1.25	28.70	31.75
1.25	32	27-51M	0363 0000 030	1.19	1.31	30.23	33.27
1.31	33	27-52M	0363 0000 032	1.25	1.39	31.75	35.31
1.31	33	27-53M	0363 0003 033	1.31	1.45	33.27	36.83
1.38	35	27-54M	0363 0004 035	1.38	1.52	35.05	38.61
1.44	37	27-55M	0363 0003 037	1.44	1.58	36.58	40.13
1.50	38	27-56M	0363 0004 038	1.50	1.64	38.10	41.66
1.56	40	27-57M	0363 0003 040	1.56	1.70	39.62	43.18
1.63	41	27-58M	0363 0002 041	1.63	1.81	41.40	45.97
1.69	43	27-59M	0363 0004 043	1.69	1.87	42.93	47.50
1.75	44	27-60M	0363 0005 044	1.75	1.93	44.45	49.02
1.81	46	27-61M	0363 0007 046	1.81	1.99	45.97	50.55
1.88	48	27-62M	0363 0003 050	1.88	2.06	47.75	52.32
1.94	49	27-63M	0363 0004 049	1.94	2.12	49.28	53.85
2.00	51	27-64M	0363 0003 051	2.00	2.18	50.80	55.37
2.06	52	27-65M	0363 0002 052	2.06	2.24	52.32	56.90
2.13	54	27-66M	0363 0002 054	2.13	2.31	54.10	58.67
2.19	56	27-67M	0363 0002 056	2.19	2.37	55.63	60.20
2.25	57	27-68M	0363 0003 057	2.25	2.43	57.15	61.72
2.38	60	27-69M	0363 0003 059	2.31	2.49	58.67	63.25
2.38	61	27-70M	0363 0025 064	2.38	2.56	60.45	65.02
2.44	62	27-71M	0363 0002 062	2.44	2.62	61.98	66.55
2.50	64	27-72M	0363 0007 064	2.50	2.68	63.50	68.07
2.56	65	27-73M	0363 0003 065	2.56	2.74	65.02	69.60
2.69	68	27-74M	0363 0004 067	2.63	2.81	66.80	71.37
2.69	69	27-75M	0363 0013 072	2.69	2.87	68.33	72.90
2.75	70	27-76M	0363 0003 070	2.75	2.93	69.85	74.42
2.88	73	27-77M	0363 0011 075	2.81	2.99	71.37	75.95
2.94	75	27-78M	0363 0019 077	2.88	3.06	73.15	77.72

Note: Call for a complete list of sizes and materials and to discuss unique requirements.

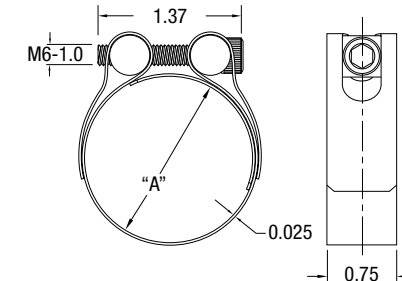
Barrel Band Clamp with Shoe

Heavy-duty, low-profile barrel-style hose clamp with shoe for automotive, commercial, and industrial applications.



0.75" Band Width | CRS, Zinc-Plated Hardware | 300-Series SS Band and Shoe | Diameter Range 1.06"– 6.18"

BARREL BAND CLAMP WITH SHOE
M6 Barrel Nut and Trunion
300-Series Stainless Steel Band & Shoe
CRS, Zinc-Plated Hardware



Nominal Diameter		BARREL BAND CLAMP WITH SHOE		inches (A)		mm	
inches	mm	Brand PN	Global PN	min	max	min	max
1.06	27	27-49MSH	0363 0000 027	1.06	1.14	26.92	28.96
1.13	29	27-50MSH	0363 0006 030	1.13	1.25	28.70	31.75
1.25	32	27-51MSH	0363 0005 032	1.19	1.31	30.23	33.27
1.31	33	27-52MSH	0363 0006 034	1.25	1.39	31.75	35.31
1.31	33	27-53MSH	0363 0002 033	1.31	1.45	33.27	36.83
1.38	35	27-54MSH	0363 0003 035	1.38	1.52	35.05	38.61
1.44	37	27-55MSH	0363 0000 037	1.44	1.58	36.58	40.13
1.50	38	27-56MSH	0363 0008 040	1.50	1.64	38.10	41.66
1.56	40	27-57MSH	0363 0000 040	1.56	1.70	39.62	43.18
1.63	41	27-58MSH	0363 0000 041	1.63	1.81	41.40	45.97
1.69	43	27-59MSH	0363 0000 043	1.69	1.87	42.93	47.50
1.75	44	27-60MSH	0363 0003 044	1.75	1.93	44.45	49.02
1.81	46	27-61MSH	0363 0002 046	1.81	1.99	45.97	50.55
1.88	48	27-62MSH	0363 0002 048	1.88	2.06	47.75	52.32
1.94	49	27-63MSH	0363 0001 049	1.94	2.12	49.28	53.85
2.00	51	27-64MSH	0363 0002 051	2.00	2.18	50.80	55.37
2.06	52	27-65MSH	0363 0000 052	2.06	2.24	52.32	56.90
2.13	54	27-66MSH	0363 0001 054	2.13	2.31	54.10	58.67
2.19	56	27-67MSH	0363 0000 056	2.19	2.37	55.63	60.20
2.25	57	27-68MSH	0363 0002 057	2.25	2.43	57.15	61.72
2.38	60	27-69MSH	0363 0008 063	2.31	2.49	58.67	63.25
2.38	61	27-70MSH	0363 0026 064	2.38	2.56	60.45	65.02
2.44	62	27-71MSH	0363 0000 062	2.44	2.62	61.98	66.55
2.50	64	27-72MSH	0363 0003 064	2.50	2.68	63.50	68.07
2.56	65	27-73MSH	0363 0001 065	2.56	2.74	65.02	69.60
2.69	68	27-74MSH	0363 0014 071	2.63	2.81	66.80	71.37
2.69	69	27-75MSH	0363 0012 072	2.69	2.87	68.33	72.90
2.75	70	27-76MSH	0363 0002 070	2.75	2.93	69.85	74.42
2.88	73	27-77MSH	0363 0010 075	2.81	2.99	71.37	75.95
2.94	75	27-78MSH	0363 0016 077	2.88	3.06	73.15	77.72

Note: Call for a complete list of sizes and materials and to discuss unique requirements.

T-Bolt Clamp

Heavy-duty, high-strength T-Bolt with shoe.



0.75" Band Width | **0.25" Plated Steel Bolt** | Available with Bridge | Diameter Range 1" – 6.31"

T-BOLT CLAMP

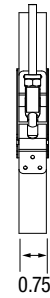
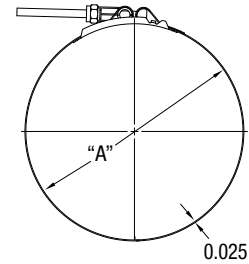
0.25" Plated Steel T-Bolt
0.75" 300-Series SS Band

T-BOLT CLAMP W / BRIDGE

0.25" Plated Steel T-Bolt w/Bridge
0.75" 300-Series SS Band

ALL SS T-BOLT CLAMP

0.25" 300-Series SS T-Bolt
0.75" 300-Series SS Band



Nominal Diameter		T-BOLT CLAMP		inches		mm	
inches	mm	Brand PN	Global PN	min	max	min	max
1.06	27	220-48	0363 0002 027	1.00	1.13	25.40	28.70
1.13	28	220-49	0363 0000 029	1.06	1.19	26.92	30.23
1.13	29	220-50	0363 0001 030	1.13	1.25	28.45	31.75
1.25	32	220-51	0363 0003 032	1.19	1.31	30.23	33.78
1.31	33	220-52	0363 0005 033	1.25	1.38	31.75	35.31
1.38	35	220-53	0363 0005 035	1.31	1.44	33.27	36.83
1.44	36	220-54	0363 0007 037	1.38	1.50	35.05	38.61
1.50	38	220-55	0363 0007 038	1.44	1.56	36.58	40.13
1.56	40	220-56	0363 0006 040	1.50	1.63	38.10	41.66
1.63	41	220-57	0363 0006 041	1.56	1.69	39.62	43.18
1.75	44	200-58	0363 0008 044	1.63	1.88	41.40	47.75
1.81	46	200-59	0363 0008 046	1.69	1.94	42.93	49.28
1.88	47	200-60	0363 0005 048	1.75	2.00	44.45	50.80
2.00	51	200-61	0363 0009 049	1.81	2.06	45.97	52.32
2.06	52	200-62	0363 0005 051	1.88	2.13	47.75	54.10
2.06	53	200-63	0363 0004 052	1.94	2.19	49.28	55.63
2.13	54	200-64	0363 0003 054	2.00	2.25	50.80	57.15
2.19	56	200-65	0363 0010 056	2.06	2.31	52.32	58.67
2.25	57	200-66	0363 0005 057	2.13	2.38	54.10	60.45
2.31	59	200-67	0363 0004 059	2.19	2.50	55.63	63.50
2.38	61	200-68	0363 0003 061	2.25	2.56	57.15	65.02
2.50	63	200-69	0363 0000 063	2.31	2.63	58.67	66.55
2.50	64	200-70	0363 0011 064	2.38	2.69	60.45	68.33
2.56	66	200-71	0363 0001 066	2.44	2.75	61.98	69.85
2.63	67	200-72	0363 0005 067	2.50	2.81	63.50	71.37
2.69	69	200-73	0363 0002 069	2.56	2.88	65.02	72.90
2.81	71	200-74	0363 0003 071	2.63	2.94	66.80	74.68
2.81	72	200-75	0363 0003 072	2.69	3.00	68.33	76.20
2.94	74	200-76	0363 0000 074	2.75	3.06	69.85	77.72
2.94	75	200-77	0363 0001 075	2.81	3.13	71.37	79.25

Nominal Diameter		T-BOLT CLAMP		inches		mm	
inches	mm	Brand PN	Global PN	min	max	min	max
3.00	77	200-78	0363 0009 077	2.88	3.19	73.15	81.03
3.13	79	200-79	0363 0005 079	2.94	3.25	74.68	82.55
3.13	80	200-80	0363 0008 079	3.00	3.31	76.20	84.07
3.25	82	200-81	0363 0010 082	3.06	3.38	77.72	85.60
3.25	83	200-82	0363 0013 083	3.13	3.44	79.50	87.38
3.31	85	200-83	0363 0005 085	3.19	3.50	81.03	88.90
3.38	86	200-84	0363 0006 086	3.25	3.56	82.55	90.42
3.44	88	200-85	0363 0000 088	3.31	3.63	84.07	92.20
3.50	90	200-86	0363 0008 090	3.38	3.69	85.85	93.73
3.56	91	200-87	0363 0003 091	3.44	3.75	87.38	95.25
3.69	93	200-88	0363 0003 093	3.50	3.81	88.90	96.77
3.69	94	200-89	0363 0005 094	3.56	3.88	90.42	98.55
3.75	96	200-90	0363 0010 096	3.63	3.94	92.20	100.08
3.88	98	200-91	0363 0008 098	3.69	4.00	93.73	101.60
3.88	99	200-92	0363 0005 099	3.75	4.06	95.25	103.12
4.00	101	200-93	0363 0002 101	3.81	4.13	96.77	104.65
4.00	102	200-94	0363 0007 102	3.88	4.19	98.55	106.43
4.13	104	200-95	0363 0007 104	3.94	4.25	100.08	107.95
4.19	106	200-96	0363 0004 106	4.00	4.31	101.60	109.47
4.25	108	200-97	0363 0009 107	4.06	4.38	103.12	111.00
4.31	109	200-98	0363 0005 109	4.13	4.44	104.65	112.78
4.31	110	200-99	0363 0005 110	4.19	4.50	106.43	114.30
4.38	112	200-100	0363 0015 112	4.25	4.56	107.95	115.82
4.63	117	200-104	0363 0009 118	4.50	4.81	114.30	122.17
4.94	125	200-108	0363 0000 125	4.75	5.06	120.65	128.52
5.06	129	200-112	0363 0010 131	5.00	5.31	127.00	134.87
5.38	137	200-116	0363 0008 137	5.25	5.56	133.35	141.22
5.69	144	200-120	0363 0002 144	5.50	5.81	139.70	147.57
5.81	148	200-124	0363 0008 150	5.75	6.06	146.05	153.92
6.13	155	200-128	0363 0007 156	6.00	6.31	152.40	160.27

Note: Call for a complete list of sizes and materials.

Nominal Diameter		T-BOLT CLAMP W/BRIDGE		inches		mm	
inches	mm	Brand PN	Global PN	min	max	min	max
1.75	44	210-58	0363 0012 044	1.63	1.88	41.40	47.75
1.81	46	210-59	0363 0011 046	1.69	1.94	42.93	49.28
1.88	47	210-60	0363 0001 047	1.75	2.00	44.45	50.80
2.00	51	210-61	0363 0007 049	1.81	2.06	45.97	52.32
2.06	52	210-62	0363 0009 051	1.88	2.13	47.75	54.10
2.06	53	210-63	0363 0006 052	1.94	2.19	49.28	55.63
2.13	54	210-64	0363 0006 054	2.00	2.25	50.80	57.15
2.19	56	210-65	0363 0007 056	2.06	2.31	52.32	58.67
2.25	57	210-66	0363 0007 057	2.13	2.38	54.10	60.45
2.31	59	210-67	0363 0009 059	2.19	2.50	55.63	63.50
2.38	61	210-68	0363 0009 061	2.25	2.56	57.15	65.02
2.50	63	210-69	0363 0006 063	2.31	2.63	58.67	66.55
2.50	64	210-70	0363 0015 064	2.38	2.69	60.45	68.33
2.56	66	210-71	0363 0005 066	2.44	2.75	61.98	69.85
2.63	67	210-72	0363 0011 067	2.50	2.81	63.50	71.37
2.69	69	210-73	0363 0008 069	2.56	2.88	65.02	72.90
2.81	71	210-74	0363 0012 071	2.63	2.94	66.80	74.68
2.81	72	210-75	0363 0008 072	2.69	3.00	68.33	76.20
2.94	74	210-76	0363 0010 074	2.75	3.06	69.85	77.72
2.94	75	210-77	0363 0008 075	2.81	3.13	71.37	79.25
3.00	77	210-78	0363 0010 077	2.88	3.19	73.15	81.03
3.13	79	210-79	0363 0009 079	2.94	3.25	74.68	82.55
3.13	80	210-80	0363 0009 080	3.00	3.31	76.20	84.07
3.25	82	210-81	0363 0013 082	3.06	3.38	77.72	85.60
3.25	83	210-82	0363 0010 083	3.13	3.44	79.50	87.38

Nominal Diameter		T-BOLT CLAMP W/BRIDGE		inches		mm	
inches	mm	Brand PN	Global PN	min	max	min	max
3.31	85	210-83	0363 0007 085	3.19	3.50	81.03	88.90
3.38	86	210-84	0363 0010 086	3.25	3.56	82.55	90.42
3.44	88	210-85	0363 0002 088	3.31	3.63	84.07	92.20
3.50	90	210-86	0363 0011 090	3.38	3.69	85.85	93.73
3.56	91	210-87	0363 0007 091	3.44	3.75	87.38	95.25
3.69	93	210-88	0363 0009 093	3.50	3.81	88.90	96.77
3.69	94	210-89	0363 0012 094	3.56	3.88	90.42	98.55
3.75	96	210-90	0363 0013 096	3.63	3.94	92.20	100.08
3.88	98	210-91	0363 0013 098	3.69	4.00	93.73	101.60
3.88	99	210-92	0363 0010 099	3.75	4.06	95.25	103.12
4.00	101	210-93	0363 0007 101	3.81	4.13	96.77	104.65
4.00	102	210-94	0363 0011 102	3.88	4.19	98.55	106.43
4.13	104	210-95	0363 0008 104	3.94	4.25	100.08	107.95
4.19	106	210-96	0363 0005 106	4.00	4.31	101.60	109.47
4.25	108	210-97	0363 0010 107	4.06	4.38	103.12	111.00
4.31	109	210-98	0363 0009 109	4.13	4.44	104.65	112.78
4.31	110	210-99	0363 0007 110	4.19	4.50	106.43	114.30
4.38	112	210-100	0363 0009 112	4.25	4.56	107.95	115.82
4.63	117	210-104	0363 0010 118	4.50	4.81	114.30	122.17
4.94	125	210-108	0363 0001 125	4.75	5.06	120.65	128.52
5.06	129	210-112	0363 0011 131	5.00	5.31	127.00	134.87
5.38	137	210-116	0363 0016 137	5.25	5.56	133.35	141.22
5.69	144	210-120	0363 0007 144	5.50	5.81	139.70	147.57
5.81	148	210-124	0363 0009 150	5.75	6.06	146.05	153.92
6.13	155	210-128	0363 0008 156	6.00	6.31	152.40	160.27

Nominal Diameter		ALL SS T-BOLT CLAMP		inches		mm	
inches	mm	Brand PN	Global PN	min	max	min	max
1.06	27	235-48	0363 0004 027	1.00	1.13	25.40	28.70
1.13	28	235-49	0363 0001 029	1.06	1.19	26.92	30.23
1.13	29	235-50	0363 0005 030	1.13	1.25	28.45	31.75
1.25	32	235-51	0363 0004 032	1.19	1.31	30.23	33.78
1.31	33	235-52	0363 0005 034	1.25	1.38	31.75	35.31
1.38	35	235-53	0363 0006 035	1.31	1.44	33.27	36.83
1.44	36	235-54	0363 0009 037	1.38	1.50	35.05	38.61
1.50	38	235-55	0363 0006 038	1.44	1.56	36.58	40.13
1.56	40	235-56	0363 0007 040	1.50	1.63	38.10	41.66
1.63	41	235-57	0363 0008 041	1.56	1.69	39.62	43.18
1.75	44	235-58					

Spring-Loaded T-Bolt Band Clamp

Heavy-duty, spring-loaded T-Bolt clamp for constant tension performance.



0.75" Band Width | 0.25" Plated Steel Bolt | With or Without Bridge | Diameter Range 2.06" – 6.31"

SPRING T-BOLT

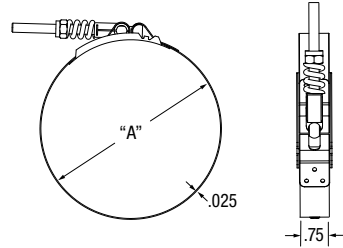
- 0.25" Plated Steel T-Bolt
- 0.75" Stainless Steel Band

SPRING T-BOLT W/BRIDGE

- 0.25" Plated Steel T-Bolt w/Bridge
- 0.75" Stainless Steel Band

ALL 316 SS SPRING T-BOLT

- 0.25" 316 Stainless Steel T-Bolt
- 0.75" 316 Stainless Steel Band



Nominal Diameter		SPRING T-BOLT		SPRING T-BOLT W / BRIDGE		ALL 316 SS SPRING T-BOLT		inches		mm	
inches	mm	Brand PN	Global PN	Brand PN	Global PN	Brand PN	Global PN	min	max	min	max
2.19	56	250-65	0363 0005 056	250-65B	0363 0002 055	250-65-316	0363 0003 056	2.06	2.31	52.32	58.67
2.25	57	250-66	0363 0008 057	250-66B	0363 0009 057	250-66-316	0363 0010 057	2.13	2.38	54.10	60.45
2.31	59	250-67	0363 0007 059	250-67B	0363 0008 060	250-67-316	0363 0009 060	2.19	2.50	55.63	63.50
2.38	60	250-68	0363 0007 060	250-68B	0363 0011 061	250-68-316	0363 0012 061	2.25	2.56	57.15	65.02
2.50	63	250-69	0363 0003 063	250-69B	0363 0002 063	250-69-316	0363 0005 063	2.31	2.63	58.67	66.55
2.50	64	250-70	0363 0022 064	250-70B	0363 0012 064	250-70-316	0363 0023 064	2.38	2.69	60.45	68.33
2.56	66	250-71	0363 0003 066	250-71B	0363 0007 066	250-71-316	0363 0007 079	2.44	2.75	61.98	69.85
2.63	67	250-72	0363 0008 067	250-72B	0363 0009 067	250-72-316	0363 0010 067	2.50	2.81	63.50	71.37
2.63	69	250-73	0363 0005 069	250-73B	0363 0003 069	250-73-316	0363 0010 069	2.56	2.87	65.02	72.90
2.69	71	250-74	0363 0010 071	250-74B	0363 0005 071	250-74-316	0363 0011 071	2.63	2.94	66.80	74.68
2.81	72	250-75	0363 0007 072	250-75B	0363 0005 072	250-75-316	0363 0010 072	2.69	3.00	68.33	76.20
2.81	74	250-76	0363 0003 074	250-76B	0363 0014 074	250-76-316	0363 0002 074	2.75	3.06	69.85	77.72
2.94	75	250-77	0363 0003 075	250-77B	0363 0000 075	250-77-316	0363 0007 075	2.81	3.13	71.37	79.25
3.00	77	250-78	0363 0008 077	250-78B	0363 0013 077	250-78-316	0363 0014 077	2.88	3.19	73.15	81.03
3.13	79	250-79	0363 0004 079	250-79B	0363 0002 079	250-79-316	0363 0003 079	2.94	3.25	74.68	82.55
3.13	80	250-80	0363 0005 080	250-80B	0363 0007 080	250-80-316	0363 0008 080	3.00	3.31	76.20	84.07
3.25	82	250-81	0363 0009 082	250-81B	0363 0007 082	250-81-316	0363 0012 082	3.06	3.38	77.72	85.60
3.25	83	250-82	0363 0008 083	250-82B	0363 0014 083	250-82-316	0363 0015 083	3.13	3.44	79.50	87.38
3.31	85	250-83	0363 0003 085	250-83B	0363 0002 085	250-83-316	0363 0009 085	3.19	3.50	81.03	88.90
3.38	86	250-84	0363 0005 086	250-84B	0363 0003 086	250-84-316	0363 0004 086	3.25	3.56	82.55	90.42
3.44	88	250-85	0363 0003 088	250-85B	0363 0005 088	250-85-316	0363 0007 088	3.31	3.63	84.07	92.20
3.50	90	250-86	0363 0012 090	250-86B	0363 0013 090	250-86-316	0363 0014 090	3.38	3.69	85.85	93.73
3.56	91	250-87	0363 0002 091	250-87B	0363 0005 091	250-87-316	0363 0001 091	3.44	3.75	87.38	95.25
3.69	93	250-88	0363 0002 093	250-88B	0363 0007 093	250-88-316	0363 0008 093	3.50	3.81	88.90	96.77
3.69	94	250-89	0363 0003 094	250-89B	0363 0010 094	250-89-316	0363 0011 094	3.56	3.88	90.42	98.55
3.75	96	250-90	0363 0009 096	250-90B	0363 0007 096	250-90-316	0363 0012 096	3.63	3.94	92.20	100.08
3.88	98	250-91	0363 0010 098	250-91B	0363 0011 098	250-91-316	0363 0012 098	3.69	4.00	93.73	101.60
3.88	99	250-92	0363 0003 099	250-92B	0363 0011 099	250-92-316	0363 0002 099	3.75	4.06	95.25	103.12
4.00	101	250-93	0363 0003 101	250-93B	0363 0004 101	250-93-316	0363 0005 101	3.81	4.13	96.77	104.65
4.00	102	250-94	0363 0012 102	250-94B	0363 0013 102	250-94-316	0363 0014 102	3.88	4.19	98.55	106.43
4.13	104	250-95	0363 0005 104	250-95B	0363 0003 104	250-95-316	0363 0004 104	3.94	4.25	100.08	107.95
4.19	106	250-96	0363 0003 106	250-96B	0363 0002 106	250-96-316	0363 0006 106	4.00	4.31	101.60	109.47
4.19	107	250-97	0363 0003 107	250-97B	0363 0002 107	250-97-316	0363 0007 107	4.06	4.38	103.12	111.00
4.31	109	250-98	0363 0003 109	250-98B	0363 0002 109	250-98-316	0363 0010 109	4.13	4.44	104.65	112.78
4.31	110	250-99	0363 0010 110	250-99B	0363 0011 110	250-99-316	0363 0012 110	4.19	4.50	106.43	114.30
4.38	112	250-100	0363 0008 112	250-100B	0363 0014 112	250-100-316	0363 0007 112	4.25	4.56	107.95	115.82
4.63	118	250-104	0363 0005 118	250-104B	0363 0007 118	250-104-316	0363 0008 118	4.50	4.81	114.30	122.17
4.94	125	250-108	0363 0004 125	250-108B	0363 0005 125	250-108-316	0363 0007 125	4.75	5.06	120.65	128.52
5.13	131	250-112	0363 0007 131	250-112B	0363 0008 131	250-112-316	0363 0009 131	5.00	5.31	127.00	134.87
5.38	137	250-116	0363 0012 137	250-116B	0363 0014 137	250-116-316	0363 0015 137	5.25	5.56	133.35	141.22
5.69	144	250-120	0363 0008 144	250-120B	0363 0009 144	250-120-316	0363 0010 144	5.50	5.81	139.70	147.57
5.81	148	250-124	0363 0003 150	250-124B	0363 0004 150	250-124-316	0363 0007 150	5.75	6.06	146.05	153.92
6.13	155	250-128	0363 0001 156	250-128B	0363 0005 156	250-128-316	0363 0006 156	6.00	6.31	152.40	160.27

Note: Call for a complete list of sizes and materials.

Quick-Release Mounting Clamp

Quick-Release T-Bolt mounting clamps available with a wing nut or nylon insert lock nut.



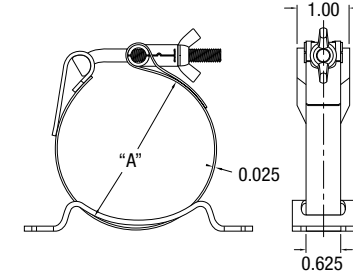
0.625" Band Width | 0.25" Plated T-Bolt and Nut | 300-Series Stainless Steel Latch & Bracket | Diameter Range 2.19" – 6.25"

T-BOLT MOUNTING W/ WING NUT

- 0.25" Plated Bolt and Nut
- 0.625" Band Width
- 0.25" – 1" 300-Series SS Latch

T-BOLT MOUNTING W/NYLOCK NUT

- 0.25" Plated Bolt and Nut
- 0.625" Band Width
- 0.25" – 1" 300-Series SS Latch



Nominal Diameter		T-BOLT MOUNTING W / WING NUT		T-BOLT MOUNTING W / NYLOCK NUT		inches		mm	
inches	mm	Brand PN	Global PN	Brand PN	Global PN	min	max	min	max
2.31	59	242-67	0375 0001 059	453-67	0375 0000 059	2.19	2.44	55.63	61.98
2.38	60	242-68	0375 0001 060	453-68	0375 0000 060	2.25	2.50	57.15	63.50
2.44	62	242-69	0363 0003 062	453-69	0375 0000 063	2.31	2.56	58.67	65.02
2.50	63	242-70	0375 0001 064	453-70	0375 0000 064	2.38	2.63	60.45	66.80
2.56	65	242-71	0375 0001 065	453-71	0375 0000 066	2.44	2.69	61.98	68.33
2.63	67	242-72	0375 0001 067	453-72	0375 0000 067	2.50	2.75	63.50	69.85
2.69	68	242-73	0375 0000 068	453-73	0375 0000 070	2.56	2.81	65.02	71.37
2.75	70	242-74	0375 0001 070	453-74	0375 0001 071	2.63	2.88	66.80	73.15
2.81	71	242-75	0375 0000 072	453-75	0375 0000 071	2.69	2.94	68.33	74.68
2.88	73	242-76	0375 0000 068	453-76	0375 0000 074	2.75	3.00	69.85	76.20
2.94	74	242-77	0375 0001 075	453-77	0375 0000 075	2.81	3.06	71.37	77.72
3.00	75	242-78	0375 0000 076	453-78	0363 0002 076	2.88	3.13	73.15	79.50
3.06	78	242-79	0375 0001 078	453-79	0375 0000 078	2.94	3.19	74.68	81.03
3.13	79	242-80	0375 0001 079	453-80	0375 0000 079	3.00	3.25	76.20	82.55
3.19	81	242-81	0375 0002 081	453-81	0375 0001 081	3.06	3.31	77.72	84.07
3.25	83	242-82	0375 0002 083	453-82	0375 0001 083	3.13	3.38	79.50	85.85
3.31	84	242-83	0375 0000 084	453-83	0375 0000 085	3.19	3.44	81.03	87.38
3.38	85	242-84	0375 0001 086	453-84	0375 0000 086	3.25	3.50	82.55	88.90
3.44	87	242-85	0375 0000 087	453-85	0375 0000 088	3.31	3.56	84.07	90.42
3.50	89	242-86	0375 0003 089	453-86	0375 0004 089	3.38	3.63	85.85	92.20
3.56	90	242-87	0375 0001 091	453-87	0375 0000 091	3.44	3.69	87.38	93.73
3.63	92	242-88	0375 0003 092	453-88	0375 0002 092	3.50	3.75	88.90	95.25
3.69	93	242-89	0375 0001 094	453-89	0375 0000 094	3.56	3.81	90.42	96.77
3.75	95	242-90	0375 0000 095	453-90	0375 0000 096	3.63	3.88	92.20	98.55
3.81	97	242-91	0375 0001 097	453-91	0375 0000 098	3.69	3.94	93.73	100.08
3.88	98	242-92	0375 0001 098	453-92	0375 0000 099	3.75	4.00	95.25	101.60
3.94	99	242-93	0375 0000 100	453-93	0375 0001 101	3.81	4.06	96.77	103.12
4.00	102	242-94	0375 0000 102	453-94	0363 0004 102	3.88	4.13	98.55	104.90
4.06	104	242-95	0375 0000 103	453-95	0363 0002 104	3.94	4.19	100.08	106.43
4.13	105	242-96	0375 0001 105	453-96	0375 0000 105	4.00	4.25	101.60	107.95
4.19	106	242-97	0375 0006 106	453-97	0375 0005 106	4.06	4.31	103.12	109.47
4.25	108	242-98	0375 0002 108	453-98	0375 0000 108	4.13	4.38	104.65	111.00
4.31	110	242-99	0375 0001 106	453-99	0375 0000 110	4.19	4.4		

Muffler Mounting Clamp

Motorcycle muffler mounting clamps with stainless steel bands that can be custom designed.



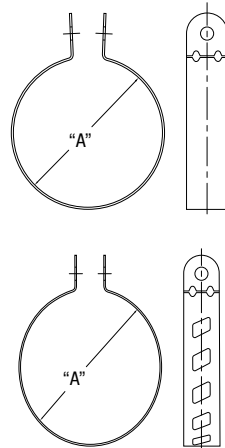
Round or Oval Clamp Shapes | Customized Perforations & Diameters | Nominal Diameter Range 3.5" – 4.94"

C-SERIES ROUND MUFFLER MOUNTING CLAMP

Annealed or Bright Annealed Finish
Round Clamp Shape
Bent or Straight Mounting-Ear Styles

CV-SERIES OVAL MUFFLER MOUNTING CLAMP

Bright Annealed Finish
Oval Clamp Shape
Bent or Straight Mounting-Ear Styles



Nominal Diameter		C-SERIES ROUND MUFFLER MOUNTING		Band Material	Mounting Ear	Band Holes	Ear Height		Ear Bolt Size	
inches	mm	Brand PN	Global PN				inches	mm	inches	mm
3.50	88.9	C-350-T10	0375 0001 089	.050x1.188" 18/8 Bright Annealed	Straight	None	1.56	39.1	0.38	10
3.63	91.9	C-350-075-8AN-1	0375 0004 092	.050x0.75" 18/8 Annealed	Straight	None	1.63	41.3	0.31	8
3.69	92.9	C-350-8AN	0375 0000 093	.050x1.188" 18/8 Annealed	Straight	None	1.25	31.7	0.31	8
3.69	92.9	C-350-8BRT	0375 0001 093	.048x1.188" 18/8 Bright Annealed	Straight	None	1.25	31.7	0.31	8
3.63	91.9	C-362-8HS	0375 0000 092	.048x1.188" 18/8 Bright Annealed	Straight	4 oval holes	1.38	35.3	0.31	8
3.63	91.9	C-362-8HSB	0375 0005 092	.048x1.188" 18/8 Bright Annealed	Bent 90° with Gussets	4 oval holes	1.38 / 1.44	34.2 / 36.4	0.31	8
3.63	91.9	C-362-10HS	0375 0001 092	0.048x1.188" 18/8 Bright Annealed	Straight	4 oval holes	1 3/8	35.3	0.38	10
4.13	104.7	C-400-8HS	0375 0002 105	.048x1.188" 18/8 Bright Annealed	Straight	4 oval holes	1.44	36.5	0.31	8
4.06	103.1	C-400-10HS	0375 0001 103	.048x1.188" 18/8 Bright Annealed	Straight	4 oval holes	1.50	37.6	0.38	10
4.00	101.6	C-400-060-8H33B	0375 0001 102	.060x1.25" 1/8 Annealed	Bent 90° with Gussets	4 oval holes	1.25/3	31.7 / 76.2	0.31	8
4.50	114.3	C-450-T8	0375 0001 114	.050x1.188" 18/8 Annealed	Straight	None	1.56	39.1	0.31	8
4.50	114.3	C-450-T10	0375 0000 114	.050x1.188" 18/8 Annealed	Straight	None	1.56	39.1	0.38	10
4.75	121.4	C-478-01TH	0375 0000 121	.060x0.75" 18/8 Annealed	Straight	None	1.38	34.5	0.38	9.5
4.94	125.4	C-485-10HS-1	0375 0001 125	.048x1.188" 18/8 Bright Annealed	Straight	6 oval holes	1.25	31.6	0.38	10

Nominal Diameter		CV-SERIES OVAL MUFFLER MOUNTING		Band Material	Mounting Ear	Band Holes	Ear Height		Ear Bolt Size	
inches	mm	Brand PN	Global PN				inches	mm	inches	mm
4.00	102.6	CV-404-060-10H33	0375 0017 000	.060x1.250" 18/8 Bright Annealed	Straight	6 oval holes	1.38	35.3	0.38	10
3.50	88.9	CV-350460-8H33	0375 0044 000	.048x1.188" 18/8 Bright Annealed	Bent 145° ear angle	5 oval holes	1.13	29.2	0.31	8
3.50	88.9	CV-350460-10H33	0375 0045 000	.048x1.188" 18/8 Bright Annealed	Bent 145° ear angle	5 oval holes	1.13	29.2	0.38	10
3.63	91.44	CV-360522-10BRTHS	0375 0018 000	.048x1.188" 18/8 Bright Annealed	Straight	6 oval holes	1.50	38.1	0.38	10
4.00	102.6	CV-21137010H33	0375 0046 000	.048x1.188" 18/8 Bright Annealed	Straight	6 oval holes	1.38	35.3	0.38	10
3.81	96.5	CV-6	0375 0015 000	.048x1.188" 18/8 Bright Annealed	Straight	6 oval holes	1.44	36.5	0.38	10

Note: Call for a complete list of sizes and materials.

Strap Clamp

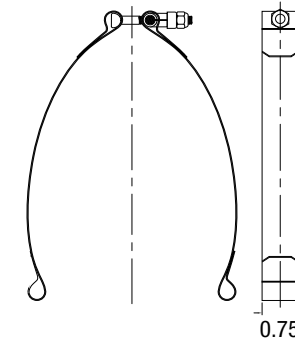
Strap clamps with T-bolt closure in flat or round, in custom lengths and shapes.



0.75" 300-Series Stainless Steel Band | 0.25" Plated Hardware | Custom Lengths

48-SERIES STRAP CLAMPS

300-Series Stainless Steel
0.75" Band Width
T-Bolt and Trunnion Style



7.19	183	48-700A	0375 0030 000	300 Series SS	0.75	19	T-Bolt band strap half, plated carbon steel hardware
7.19	183	48-700B	0375 0029 000	300 Series SS	0.75	19	Trunnion band strap half, plated carbon steel hardware
8.19	208	48-600A	0375 0034 000	300 Series SS	0.75	19	T-Bolt band strap half, 300-Series stainless hardware
8.19	208	48-600B	0375 0032 000	300 Series SS	0.75	19	Trunnion band strap half, 300-Series stainless hardware
9.25	235	48-913A	0375 0028 000	300 Series SS	0.75	19	T-Bolt band strap half, plated carbon steel hardware
9.25	235	48-913B	0375 0027 000	300 Series SS	0.75	19	Trunnion band strap half, plated carbon steel hardware
10.50	267	48-1496A	0375 0036 000	300 Series SS	0.75	19	T-Bolt band strap half, plated carbon steel hardware
10.50	267	48-1496B	0375 0035 000	300 Series SS	0.75	19	Trunnion band strap half, plated carbon steel hardware

Note: Call for a complete list of sizes and materials.

Additional Custom Products Available

FiveStar has the engineering expertise to customize any FiveStar product to meet your unique demands and requirements.



Spring-Loaded Barrel Band Clamp

- | Heavy-Duty constant-seal clamp design
- | Fully rounded edges to protect hoses
- | Diameter ranges from 1" to 6.5"
- | .025" x 3/4" 300-Series SS band (w/optional shoe)
- | M6-1mm hex screw, barrel nut and trunnion are CRS zinc-plated



Barrel Band Clamp (Black Powder-Coated)

- | Heavy-Duty clamp design
- | Constant seal hot or cold
- | Diameter ranges from 1" to 6.5"
- | .025" x 3/4" 300 stainless steel band
- | Available in powder-coated colors
- | Allen screw, barrel nut and trunnion are zinc-plated carbon steel

Notes
